

Cooker
Kouziva

DAVOLINE

DAC 600 WH

Please read this user manual first!

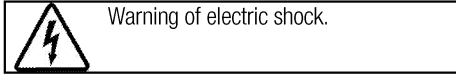
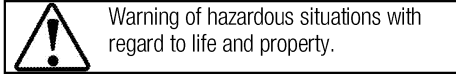
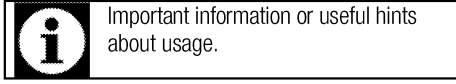
Dear Customer,

Thank you for purchasing this Davoline product. We hope that you get the best results from your product which has been manufactured with high quality and state-of-the-art technology. Therefore, please read this entire user manual and all other accompanying documents carefully before using the product and keep it as a reference for future use. If you handover the product to someone else, give the user manual as well. Follow all warnings and information in the user manual.

Remember that this user manual is also applicable for several other models. Differences between models will be identified in the manual.

Explanation of symbols

Throughout this user manual the following symbols are used:



Arçelik A.Ş.
Karaağaç caddesi No:2-6
34445 Söğütözü/İstanbul/TURKEY
Made in TURKEY

TABLE OF CONTENTS

1 Important instructions and warnings for safety and environment 4

General safety	4
Electrical safety	4
Product safety	5
Intended use	8
Safety for children.....	8
Disposing of the old product.....	9
Package information	9
Future Transportation.....	9

2 General information 10

Overview	10
Package contents	11
Technical specifications	12

3 Installation 13

Before installation	13
Installation and connection	14

4 Preparation 16

Tips for saving energy	16
Initial use.....	16
First cleaning of the appliance	16
Initial heating.....	16

5 How to use the hob 18

General information about cooking	18
Using the hobs.....	18

6 How to operate the oven 20

General information on baking, roasting and grilling.....	20
How to operate the electric oven	20
Operating modes.....	21
Cooking times table.....	22
How to operate the grill.....	23
Cooking times table for grilling.....	23

7 Maintenance and care 24

General information.....	24
Cleaning the hob.....	24
Cleaning the control panel	24
Cleaning the oven	24
Removing the oven door	25
Removing the door inner glass	26
Replacing the oven lamp.....	27

8 Troubleshooting 28

1 Important instructions and warnings for safety and environment

This section contains safety instructions that will help protect from risk of personal injury or property damage. Failure to follow these instructions shall void any warranty.

General safety

- This appliance can be used by children aged from 8 years and above and persons with reduced physical, sensory or mental capabilities or lack of experience and knowledge if they have been given supervision or instruction concerning use of the appliance in a safe way and understand the hazards involved.

Children shall not play with the appliance. Cleaning and user maintenance shall not be made by children without supervision.

- The appliance is not to be used by persons (including children) with reduced physical, sensory or mental capabilities, or lack of experience and knowledge, unless they have been given supervision or instruction. Children should be supervised and ensure they do not play with the appliance
- If the product is handed over to someone else for personal use or second-hand use purposes, the

user manual, product labels and other relevant documents and parts should be also given.

- Never place the product on a carpet-covered floor. Otherwise, lack of airflow beneath the product will cause electrical parts to overheat. This will cause problems with your product.
- Installation and repair procedures must always be performed by Authorised Service Agents. The manufacturer shall not be held responsible for damages arising from procedures carried out by unauthorised persons which may also void the warranty. Before installation, read the instructions carefully.
- Do not operate the product if it is defective or has any visible damage.
- Ensure that the product function knobs are switched off after every use.

Electrical safety

- If the product has a failure, it should not be operated unless it is repaired by an Authorised Service Agent. There is the risk of electric shock!
- Only connect the product to a grounded outlet/line with the

voltage and protection as specified in the “Technical specifications”. Have the grounding installation made by a qualified electrician while using the product with or without a transformer. Our company shall not be liable for any problems arising due to the product not being earthed in accordance with the local regulations.

- Never wash the product by spreading or pouring water onto it! There is the risk of electric shock!
- The product must be disconnected during installation, maintenance, cleaning and repairing procedures.
- If the power connection cable for the product is damaged, it must be replaced by the manufacturer, its service agent or similarly qualified persons in order to avoid a hazard.
- Only use the connection cable specified in the “Technical specifications”.
- The appliance must be installed so that it can be completely disconnected from the mains supply. The separation must be provided by a switch built into the fixed electrical installation, according to construction regulations.

- Rear surface of the oven gets hot when it is in use. Make sure that the electrical connection does not contact the rear surface; otherwise, connections can get damaged.
- Do not trap the mains cable between the oven door and frame and do not route it over hot surfaces. Otherwise, cable insulation may melt and cause fire as a result of short circuit.
- Any work on electrical equipment and systems should only be carried out by authorised and qualified persons.
- In case of any damage, switch off the product and disconnect it from the mains. To do this, turn off the fuse at home.
- Make sure that fuse rating is compatible with the product.

Product safety

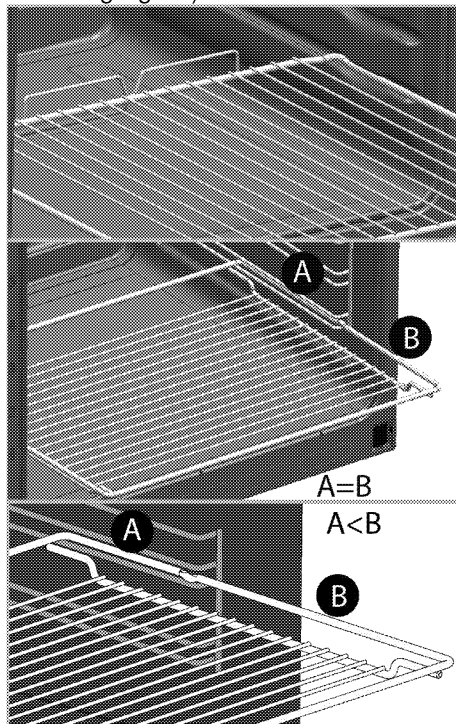
- **WARNING:** The appliance and its accessible parts become hot during use. Care should be taken to avoid touching heating elements. Children less than 8 years of age shall be kept away unless continuously supervised.
- Never use the product when your judgment or coordination is impaired by the use of alcohol and/or drugs.
- Be careful when using alcoholic drinks in your dishes. Alcohol

evaporates at high temperatures and may cause fire since it can ignite when it comes into contact with hot surfaces.

- Food Poisoning Hazard: Do not let food sit in oven for more than 1 hour before or after cooking. Doing so can result in food poisoning or sickness.
- Do not place any flammable materials close to the product as the sides may become hot during use.
- During use the appliances becomes hot. Care should be taken to avoid touching heating elements inside the oven.
- Keep all ventilation slots clear of obstructions.
- Do not heat closed tins and glass jars in the oven. The pressure that would build-up in the tin/jar may cause it to burst.
- Do not place baking trays, dishes or aluminium foil directly onto the bottom of the oven. The heat accumulation might damage the bottom of the oven.
- Do not use harsh abrasive cleaners or sharp metal scrapers to clean the oven door glass since they can scratch the surface, which may result in shattering of the glass.

- Do not use steam cleaners to clean the appliance as this may cause an electric shock.
- (Varies depending on the product model.)

Placing the wire shelf and tray onto the wire racks properly
It is important to place the wire shelf and/or tray onto the rack properly. Slide the wire shelf or tray between 2 rails and make sure that it is balanced before placing food on it (Please see the following figure).



- Do not use the product if the front door glass removed or cracked.
- Do not use the oven handle to hang towels for drying. Do not

- hang up towel, gloves, or similar textile products when the grill function is at open door.
- Always use heat resistant oven gloves when putting in or removing dishes into/from the hot oven.
 - Place the baking paper into the cooking pot or on to the oven accessory (tray, wire grill etc) together with the food and then insert all into the preheated oven. Remove the excess parts of the baking paper overflowing from the accessory or the pot in order to prevent the risk of touching the oven's heating elements. Never use the baking paper in an operating temperature higher than the indicated value for the baking paper. Do not place the baking paper directly on the base of the oven.
 - **WARNING:** Ensure that power cord of the appliance is unplugged or circuit breaker is switched off before replacing the lamp to avoid the possibility of electric shock.
 - The appliance must not be installed behind a decorative door in order to avoid overheating.
 - Product must be placed directly on the floor. It must not be placed onto a base or a pedestal.
 - **WARNING:** Unattended cooking on a hob with fat or oil can be dangerous and may result in fire. NEVER try to extinguish a fire with water, but switch off the appliance and then cover flame e.g. with a lid or a fire blanket.
 - **CAUTION:** The cooking process has to be supervised. A short term cooking process has to be supervised continuously.
 - **WARNING:** Danger of fire: Do not store items on the cooking surfaces.
 - **WARNING:** If the surface is cracked, switch off the appliance to avoid the possibility of electric shock.
 - In case of hotplate glass breakage : Immediately shut off all burners and any electrical heating element and isolate the appliance from the power supply. Do not touch the appliance surface. Do not use the appliance.
 - The appliance is not intended to be operated by means of an external timer or separate remote-control system.
 - Vapour pressure that build up due to the moisture on the hob surface or at the bottom of the pot can cause the pot to move. Therefore, make sure that the oven surface and bottom of the pots are always dry.

- **WARNING:** Use only hob guards designed by the manufacturer of the cooking appliance or indicated by the manufacturer of the appliance in the instructions for use as suitable or hob guards incorporated in the appliance. The use of inappropriate guards can cause accidents.

Prevention against possible fire risk!

- Ensure all electrical connections are secure and tight to prevent risk of arcing.
- Do not use damaged cables or extension cables.
- Ensure liquid or moisture is not accessible to the electrical connection point.

Intended use

- This product is designed for domestic use. Commercial use will void the guarantee.
- **CAUTION:** This appliance is for cooking purposes only. It must not be used for other purposes, for example room heating.
- This product should not be used for warming the plates under the grill, drying towels, dish cloths etc. by hanging them on the oven door handles. This product should also not be used for room heating purposes.
- The manufacturer shall not be liable for any damage caused by improper use or handling errors.

- The oven can be used for defrosting, baking, roasting and grilling food.

Safety for children

- **WARNING:** Accessible parts may become hot during use. Young children should be kept away.
- The packaging materials will be dangerous for children. Keep the packaging materials away from children. Please dispose of all parts of the packaging according to environmental standards.
- Electrical products are dangerous to children. Keep children away from the product when it is operating and do not allow them to play with the product.
- Do not place any items above the appliance that children may reach for.
- When the door is open, do not load any heavy object on it and do not allow children to sit on it. It may overturn or door hinges may get damaged.

Disposing of the old product

Compliance with the WEEE Directive and Disposing of the Waste Product:



This product complies with EU WEEE Directive (2012/19/EU). This product bears a classification symbol for waste electrical and electronic equipment (WEEE).

This product has been manufactured with high quality parts and materials which can be reused and are suitable for recycling. Do not dispose of the waste product with normal domestic and other wastes at the end of its service life. Take it to the collection center for the recycling of electrical and electronic equipment. Please consult your local authorities to learn about these collection centers.

Compliance with RoHS Directive:

The product you have purchased complies with EU RoHS Directive (2011/65/EU). It does not contain harmful and prohibited materials specified in the Directive.

Package information

- Packaging materials of the product are manufactured from recyclable materials in

accordance with our National Environment Regulations. Do not dispose of the packaging materials together with the domestic or other wastes. Take them to the packaging material collection points designated by the local authorities.

Future Transportation

- Keep the product's original carton and transport the product in it. Follow the instructions on the carton. If you do not have the original carton, pack the product in bubble wrap or thick cardboard and tape it securely.
- To prevent the wire grill and tray inside the oven from damaging the oven door, place a strip of cardboard onto the inside of the oven door that lines up with the position of the trays. Tape the oven door to the side walls.
- Do not use the door or handle to lift or move the product.



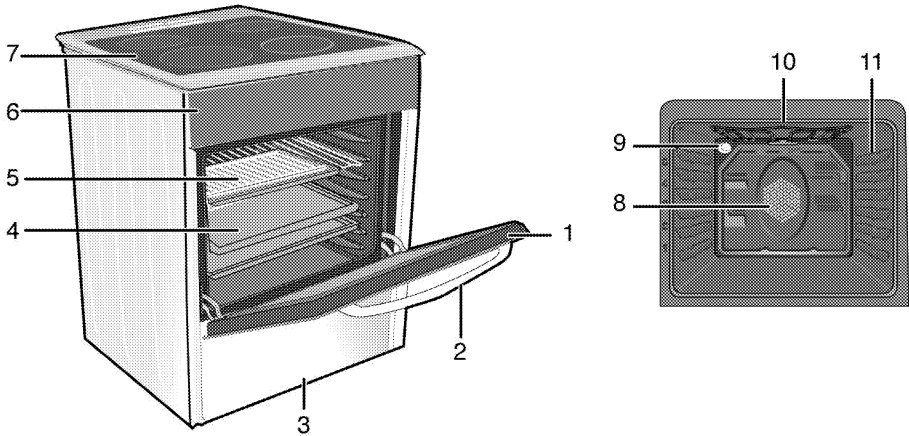
Do not place any objects onto the product and move it in upright position.



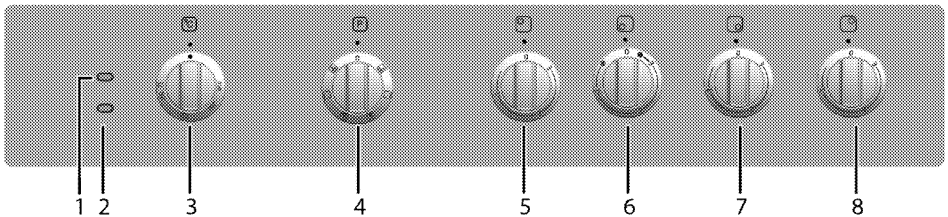
Check the general appearance of your product for any damages that might have occurred during transportation.

2 General information

Overview



- | | | | |
|---|---------------|----|--------------------------------|
| 1 | Front door | 7 | Burner plate |
| 2 | Handle | 8 | Fan motor (behind steel plate) |
| 3 | Lower part | 9 | Lamp |
| 4 | Tray | 10 | Grill heating element |
| 5 | Wire shelf | 11 | Shelf positions |
| 6 | Control panel | | |



- | | |
|---|--|
| 1 | Warning lamp |
| 2 | Thermostat lamp |
| 3 | Thermostat knob |
| 4 | Function knob |
| 5 | Single-circuit cooking plate Rear left |
| 6 | Dual-circuit cooking plate Front left |
| 7 | Single-circuit cooking plate Front right |
| 8 | Single-circuit cooking plate Rear right |

Package contents

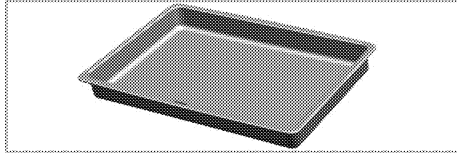


Accessories supplied can vary depending on the product model. Not every accessory described in the user manual may exist on your product.

1. **User manual**

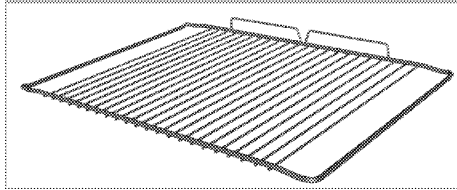
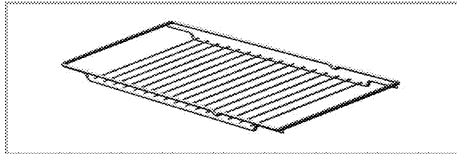
2. **Deep tray**

Used for pastries, large roasts, juicy dishes, and for collecting the fat while grilling.



3. **Wire grill**

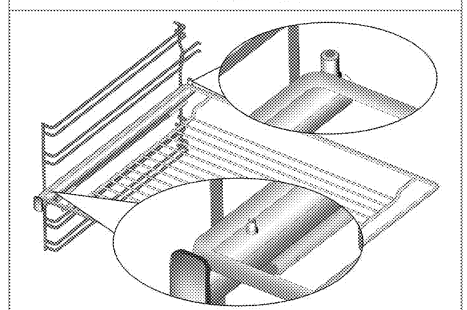
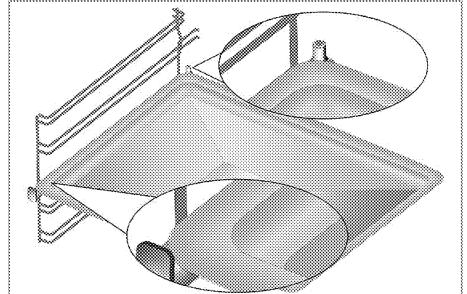
Used for roasting and for placing the food to be baked, roasted or cooked in casserole dishes to the desired rack.



4. **Placing the wire shelf and tray onto the telescopic racks properly**
(This feature is optional. It may not exist on your product.)

Telescopic racks allow you to install and remove the trays and wire shelf easily.

When using the tray and wire shelf with telescopic racks, make sure that the pins at the rear section of the telescopic rack stands against the edges of the wire shelf and tray.



Technical specifications

GENERAL	
External dimensions (height / width / depth)	850 mm/600 mm/600 mm
Voltage / frequency	220-240V / 380-415 V 3N ~ 50 Hz
Total power consumption	9.1 kW
Cable type / section	min.H05W-FG 3 x 4 mm ² / 5 x 1,5 mm ²
HOB	
Burners	
Rear left	Single-circuit cooking plate
Dimension	160 mm
Power	1500 W
Front left	Dual-circuit cooking plate
Dimension	120/210 mm
Power	750/2200 W
Front right	Single-circuit cooking plate
Dimension	140 mm
Power	1200 W
Rear right	Single-circuit cooking plate
Dimension	180 mm
Power	1800 W
OVEN/GRILL	
Main oven	Multifunction oven
Inner lamp	15–25 W
Grill power consumption	2.2 kW

Basics: Information on the energy label of electrical ovens is given in accordance with the EN 60350-1 / IEC 60350-1 standard. Those values are determined under standard load with bottom-top heater or fan assisted heating (if any) functions.

Energy efficiency class is determined in accordance with the following prioritization depending on whether the relevant functions exist on the product or not. 1-Cooking with eco-fan, 2- Turbo slow cooking, 3- Turbo cooking, 4- Fan assisted bottom/top heating, 5-Top and bottom heating.



Technical specifications may be changed without prior notice to improve the quality of the product.



Figures in this manual are schematic and may not exactly match your product.



Values stated on the product labels or in the documentation accompanying it are obtained in laboratory conditions in accordance with relevant standards. Depending on operational and environmental conditions of the product, these values may vary.

3 Installation

Product must be installed by a qualified person in accordance with the regulations in force. The manufacturer shall not be held responsible for damages arising from procedures carried out by unauthorized persons which may also void the warranty.



Preparation of location and electrical installation for the product is under customer's responsibility.



DANGER:

The product must be installed in accordance with all local electrical regulations.



DANGER:

Prior to installation, visually check if the product has any defects on it. If so, do not have it installed.

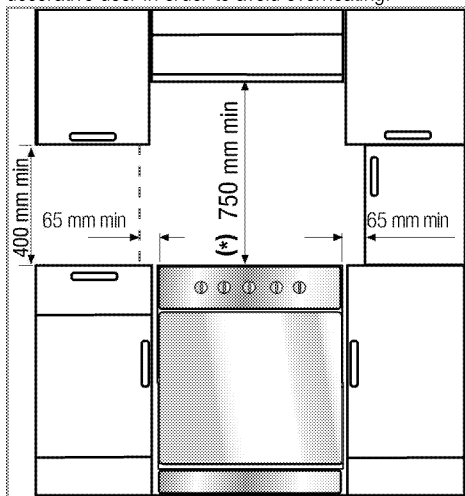
Damaged products cause risks for your safety.

Before installation

To ensure that critical air gaps are maintained under the appliance, we recommend that this appliance is mounted on a solid base and that the feet do not sink into any carpet or soft flooring.

The kitchen floor must be able to carry the weight of the appliance plus the additional weight of cookware and bakeware and food.

If the range is placed on a base, measures have to be taken to prevent the appliance slipping from the base. The appliances must not be installed behind a decorative door in order to avoid overheating.

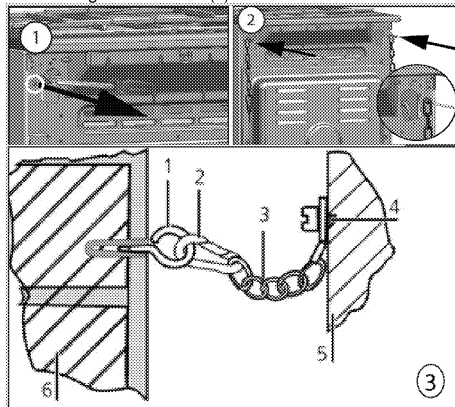


- It can be used with cabinets on either side but in order to have a minimum distance of 400mm above hotplate level allow a side clearance of 65mm between the appliance and any wall, partition or tall cupboard.
- It can also be used in a free standing position. Allow a minimum distance of 750 mm above the hob surface.
- (*) If a cooker hood is to be installed above the cooker, refer to cooker hood manufacturer' instructions regarding installation height (min 650 mm).
- The appliance corresponds to device class 1, i.e. it may be placed with the rear and **one** side to kitchen walls, kitchen furniture or equipment of any size. The kitchen furniture or equipment on the **other** side may only be of the same size or smaller.
- Any kitchen furniture next to the appliance must be heat-resistant (100 °C min.).

Safety chain

If your product has 2 safety chains;

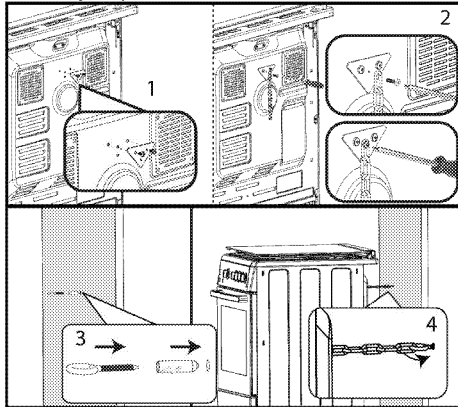
The appliance must be secured against overbalancing by using the supplied two safety chains on your oven. Fasten hook (1) by using a proper peg to the kitchen wall (6) and connect safety chain (3) to the hook via the locking mechanism (2).



- 1 Stability hook
- 2 Locking mechanism
- 3 Safety chain (supplied and mounted to oven)
- 4 Firmly fix chain to cooker rear
- 5 Rear of cooker
- 6 Kitchen wall

If your product has 1 safety chain;

The appliance must be secured against overbalancing by using the supplied one safety chain on your oven. Follow below steps in the picture to secure the safety chain to your product.



i Stability chain to be as short as practicable to avoid oven tilting forward and diagonal to avoid oven side tilting.

Cooker stability chain for cookers is not designed with bracket engagement slot.

Installation and connection

Product can only be installed and connected in accordance with the statutory installation rules.

i Do not install the product next to refrigerators or freezers. The heat emitted by the product will increase the energy consumption of cooling appliances.

- Carry the product with at least two persons.
- Product must be placed directly on the floor. It must not be placed onto a base or a pedestal.

i Do not use the door and/or handle to carry or move the product. The door, handle or hinges get damaged.

Electrical connection

Connect the product to a grounded outlet/line protected by a miniature circuit breaker of suitable capacity as stated in the "Technical specifications" table. Have the grounding installation made by a qualified electrician while using the product with or without a transformer. Our company shall not be liable for any damages that will arise due to using the product without a grounding installation in accordance with the local regulations.



DANGER:

The product must be connected to the mains supply only by an authorised and qualified person. The product's warranty period starts only after correct installation. Manufacturer shall not be held responsible for damages arising from procedures carried out by unauthorised persons.



DANGER:

The power cable must not be clamped, bent or trapped or come into contact with hot parts of the product. A damaged power cable must be replaced by a qualified electrician. Otherwise, there is risk of electric shock, short circuit or fire!

The mains supply data must correspond to the data specified on the type label of the product. The rating plate is either seen when the door or the lower cover is opened or it is located at the rear wall of the unit depending on the unit type.

Power cable of your product must comply with the values in "Technical specifications" table.



DANGER:

Before starting any work on the electrical installation, disconnect the product from the mains supply. There is the risk of electric shock!

Connecting the power cable



While performing the wiring, you must apply with the national/local electrical regulations and must use the appropriate socket outlet/line and plug for oven. In case of the product's power limits are out of current carrying capability of plug and socket outlet/line, the product must be connected through fixed electrical installation directly without using plug and socket outlet/line.

1. **If a power cable is not supplied together with your product**, a power cable that you would select from the table (*Technical specifications, page 12*) in accordance with the electrical installation at your home must be connected to your product by following the instructions in cable diagram.

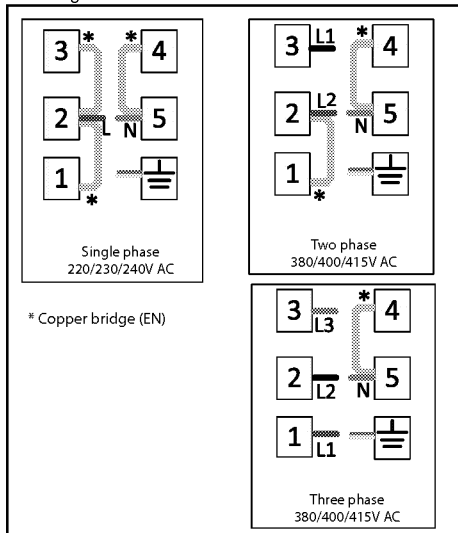
If it is not possible to disconnect all poles in the supply power, a disconnection unit with at least 3 mm contact clearance (fuses, line safety switches, contactors) must be connected and all the poles of this disconnection unit must be adjacent to (not above) the product in accordance with IEE directives. Failure to

obey this instruction may cause operational problems and invalidate the product warranty.



Additional protection by a residual current circuit breaker is recommended.

2. Open the terminal block cover with a screwdriver.
3. Insert the power cable through the cable clamp below the terminal and secure it to the main body with the integrated screw on cable clamping component.
4. Connect the cables according to the supplied diagram.



5. After completing the wire connections, close the terminal block cover.
6. Route the power cable so that it will not contact the product and get squeezed between the product and the wall.



Power cable must not be longer than 2m because of safety reasons.

- Push the product towards the kitchen wall.
- **Adjusting the feet of oven**
Vibrations during use may cause cooking vessels to move. This dangerous situation can be avoided if the product is level and balanced. For your own safety please ensure the product is level by adjusting the four feet at the bottom by turning left or right and align level with the work top.

Final check

1. Reconnect the product to the mains.
2. Check electrical functions.

4 Preparation

Tips for saving energy

The following information will help you to use your appliance in an ecological way, and to save energy:

- Use dark coloured or enamel coated cookware in the oven since the heat transmission will be better.
- While cooking your dishes, perform a preheating operation if it is advised in the user manual or cooking instructions.
- Do not open the door of the oven frequently during cooking.
- Try to cook more than one dish in the oven at the same time whenever possible. You can cook by placing two cooking vessels onto the wire shelf.
- Cook more than one dish one after another. The oven will already be hot.
- You can save energy by switching off your oven a few minutes before the end of the cooking time. Do not open the oven door.
- Defrost frozen dishes before cooking them.
- Use pots/pans with cover for cooking. If there is no cover, energy consumption may increase 4 times.
- Select the burner which is suitable for the bottom size of the pot to be used. Always select the correct pot size for your dishes. Larger pots require more energy.
- Pay attention to use flat bottom pots when cooking with electric hobs. Pots with thick bottom will provide a better heat conduction. You can obtain energy savings up to 1/3.
- Vessels and pots must be compatible with the cooking zones. Bottom of the vessels or pots must not be smaller than the hotplate.
- Keep the cooking zones and bottom of the pots clean. Dirt will decrease the heat conduction between the cooking zone and bottom of the pot.
- For long cookings, turn off the cooking zone 5 or 10 minutes before the end of cooking time. You can obtain energy savings up to 20% by using the residual heat.

Initial use

First cleaning of the appliance



The surface might get damaged by some detergents or cleaning materials.

Do not use aggressive detergents, cleaning powders/creams or any sharp objects during cleaning.

Do not use harsh abrasive cleaners or sharp metal scrapers to clean the oven door glass since they can scratch the surface, which may result in shattering of the glass.

1. Remove all packaging materials.
2. Wipe the surfaces of the appliance with a damp cloth or sponge and dry with a cloth.

Initial heating

Heat up the product for about 30 minutes and then switch it off. Thus, any production residues or layers will be burnt off and removed.



WARNING

Hot surfaces cause burns!

Product may be hot when it is in use. Never touch the hot burners, inner sections of the oven, heaters and etc. Keep children away. Always use heat resistant oven gloves when putting in or removing dishes into/from the hot oven.

Electric oven

1. Take all baking trays and the wire grill out of the oven.
2. Close the oven door.
3. Select Static position.
4. Select the highest grill power; See *How to operate the electric oven, page 20*.
5. Operate the oven for about 30 minutes.
6. Turn off your oven; See *How to operate the electric oven, page 20*

Grill oven

1. Take all baking trays and the wire grill out of the oven.
2. Close the oven door.
3. Select the highest grill power; see *How to operate the grill, page 23*.
4. Operate the grill about 30 minutes.
5. Turn off your grill; see *How to operate the grill, page 23*



Smoke and smell may emit for a couple of hours during the initial operation. This is quite normal. Ensure that the room is well ventilated to remove the smoke and smell. Avoid directly inhaling the smoke and the smell that emits.

5 How to use the hob

General information about cooking



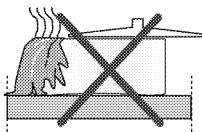
Never fill the pan with oil more than one third of it. Do not leave the hob unattended when heating oil. Overheated oils bring risk of fire. **Never attempt to extinguish a possible fire with water!** When oil catches fire, cover it with a fire blanket or damp cloth. Turn off the hob if it is safe to do so and call the fire department.

- Before frying foods, always dry them well and gently place into the hot oil. Ensure complete thawing of frozen foods before frying.
- Do not cover the vessel you use when heating oil.
- Place the pans and saucepans in a manner so that their handles are not over the hob to prevent heating of the handles. Do not place unbalanced and easily tilting vessels on the hob.
- Do not place empty vessels and saucepans on cooking zones that are switched on. They might get damaged.
- Operating a cooking zone without a vessel or saucepan on it will cause damage to the product. Turn off the cooking zones after the cooking is complete.
- As the surface of the product can be hot, do not put plastic and aluminum vessels on it. Clean any melted such materials on the surface immediately. Such vessels should not be used to keep foods either.
- Use flat bottomed saucepans or vessels only.
- Put appropriate amount of food in saucepans and pans. Thus, you will not have to make any unnecessary cleaning by preventing the dishes from overflowing. Do not put covers of saucepans or pans on cooking zones. Place the saucepan in a manner so that they are centered on the cooking zone. When you want to move the saucepan onto another cooking zone, lift and place it onto the cooking zone you want instead of sliding it.

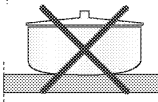
Tips about glass ceramic hobs

- Glass ceramic surface is heatproof and is not affected by big temperature differences.

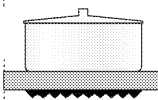
- Do not use the glass ceramic surface as a place of storage or as a cutting board.
- Use only the saucepans and pans with machined bottoms. Sharp edges create scratches on the surface.
- Do not use aluminum vessels and saucepans. Aluminum damages the glass ceramic surface.



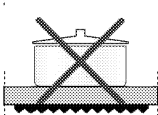
Spills may damage the glass ceramic surface and cause fire.



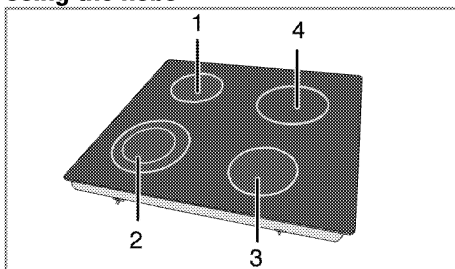
Do not use vessels with concave or convex bottoms.



Use only the saucepans and pans with flat bottoms. They ensure easier heat transfer. If the diameter of the saucepan is too small, energy will be wasted.



Using the hobs



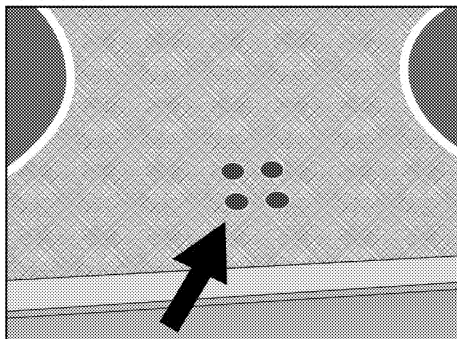
- 1 Single-circuit cooking plate 16-18 cm
- 2 Dual-circuit cooking plate 12-14/21-23 cm
- 3 Single-circuit cooking plate 14-16 cm
- 4 Single-circuit cooking plate 18-20 cm is list of advised diameter of pots to be used on related burners.

**DANGER:**

Do not allow any object to drop on the hob. Even small objects such as a saltshaker may damage the hob.
Do not use cracked hobs. Water may leak through these cracks and cause short circuit. In case of any kind of damage on the surface (eg., visible cracks), switch off the product immediately to minimize the risk of electric shock.

Glass ceramic hob is equipped with an operation light and a hot zone warning indicator.

Hot zone warning indicator indicates the status of the active zone and it remains lit after the plate is turned off. When the temperature of the plate cools down to a level that it can be touched by hand, warning indicator turns off. Flickering of the hot zone warning indicator is not a failure.

**Turning on the ceramic plates**

The hob control knobs are used for operating the plates. To obtain the desired cooking power, turn the hob control knobs to the corresponding level.

Cooking level	1	2	3
	warming	stewing, simmering	cooking, roasting, boiling

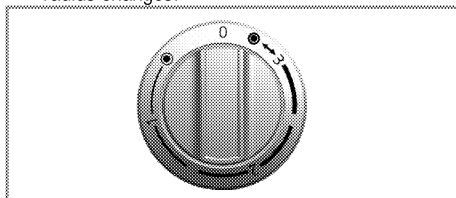
Turning off the ceramic plates

Turn the plate knob to OFF (upper) position.

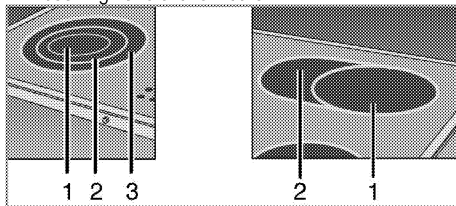
Using multi-segmented cooking zones

Multi-segmented cooking zones allows to cook with different size of saucepans on the same cooking zone. When these cooking zones are activated, first the inward cooking zone turns on.

- To change the active cooking zone diameter, turn the control knob clockwise.
- A "click" will be heard as soon as the hotplate radius changes.

**Turning off multi-segment cooking zones**

- Turn the knob counter clockwise to OFF (upper) position to turn off the oven. All segments of the cooking zone are turned off.



- Position 1
- Position 2
- Position 3



Position 2 and 3 of the multi-segment cooking zones do not operate independently.

6 How to operate the oven

General information on baking, roasting and grilling



WARNING

Hot surfaces cause burns!
Product may be hot when it is in use. Never touch the hot burners, inner sections of the oven, heaters and etc. Keep children away. Always use heat resistant oven gloves when putting in or removing dishes into/from the hot oven.



DANGER:

Be careful when opening the oven door as steam may escape.
Exiting steam can scald your hands, face and/or eyes.

Tips for baking

- Use non-sticky coated appropriate metal plates or aluminum vessels or heat-resistant silicone moulds.
- Make best use of the space on the rack.
- Place the baking mould in the middle of the shelf.
- Select the correct rack position before turning the oven or grill on. Do not change the rack position when the oven is hot.
- Keep the oven door closed.

Tips for roasting

- Treating whole chicken, turkey and large piece of meat with dressings such as lemon juice and black pepper before cooking will increase the cooking performance.
- It takes about 15 to 30 minutes longer to roast meat with bones when compared to roasting the same size of meat without bones.
- Each centimeter of meat thickness requires approximately 4 to 5 minutes of cooking time.
- Let meat rest in the oven for about 10 minutes after the cooking time is over. The juice is better distributed all over the roast and does not run out when the meat is cut.
- Fish should be placed on the middle or lower rack in a heat-resistant plate.

Tips for grilling

When meat, fish and poultry are grilled, they quickly get brown, have a nice crust and do not get dry. Flat pieces, meat skewers and sausages are particularly suited for grilling as are vegetables with high water content such as tomatoes and onions.

- Distribute the pieces to be grilled on the wire shelf or in the baking tray with wire shelf in such a way that the space covered does not exceed the size of the heater.
- Slide the wire shelf or baking tray with grill into the desired level in the oven. If you are grilling on the wire shelf, slide the baking tray to the lower rack to collect fats. Add some water in the tray for easy cleaning.

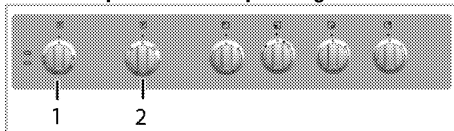


Foods that are not suitable for grilling carry the risk of fire. Only grill food which is suitable for intensive grilling heat.

Do not place the food too far in the back of the grill. This is the hottest area and fatty food may catch fire.

How to operate the electric oven

Select temperature and operating mode



- 1 Thermostat knob
- 2 Function knob

1. Set the Function knob to the desired operating mode.
2. Set the Temperature knob to the desired temperature.

» Oven heats up to the adjusted temperature and maintains it. During heating, temperature lamp stays on.

Switching off the electric oven

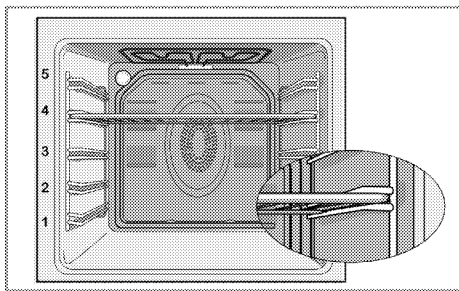
Turn the function knob and temperature knob to off (upper) position.

Rack positions (For models with wire shelf)

It is important to place the wire shelf onto the side rack correctly. Wire shelf must be inserted between the side racks as illustrated in the figure.

Do not let the wire shelf stand against the rear wall of the oven. Slide your wire shelf to the front section of the rack and settle it with the help of the door in order to obtain a good grill performance.

(Varies depending on the product model.)



Full grill



Large grill at the ceiling of the oven is in operation. It is suitable for grilling large amount of meat.

- Put big or medium-sized portions in correct rack position under the grill heater for grilling.
- Set the temperature to maximum level.
- Turn the food after half of the grilling time.

Operating modes

The order of operating modes shown here may be different from the arrangement on your product.

Top and bottom heating



Top and bottom heating are in operation. Food is heated simultaneously from the top and bottom. For example, it is suitable for cakes, pastries, or cakes and casseroles in baking moulds. Cook with one tray only.

Bottom heating



Only bottom heating is in operation. It is suitable for pizza and for subsequent browning of food from the bottom.



This function must be used for easy steam cleaning as well.

Fan supported bottom/top heating



Top heating, bottom heating plus fan (in the rear wall) are in operation. Hot air is evenly distributed throughout the oven rapidly by means of the fan. Cook with one tray only.

Grill+Fan



Grilling effect is not as strong as in Full Grill

- Put small or medium-sized portions in correct shelf position under the grill heater for grilling.
- Set the desired temperature.
- Turn the food after half of the grilling time.

Booster



This function is used to heat the oven rapidly; it is not suitable for cooking food.

- Select the desired temperature after selecting this function. Temperature light turns on and oven is heated.
- Light turns off after the heating process is completed. Now select the desired function to cook your food.

Cooking times table



The timings in this chart are meant as a guide. Timings may vary due to temperature of food, thickness, type and your own preference of cooking.

Baking and roasting



1st rack of the oven is the **bottom** rack.

Dish	Cooking level number		Rack position	Temperature (°C)	Cooking time (approx. in min.)
**Cakes in tray	One level		4	175	30 ... 35
**Cakes in mould	One level		2	175	40 ... 50
**Cakes in cooking paper	One level		3	175	20 ... 30
**Sponge cake	One level		3	200	5 ... 10
**Cookie	One level		3	175	20 ... 25
**Dough pastry	One level		2	200	30 ... 40
**Rich pastry	One level		2	200	25 ... 35
**Leaven	One level		2	200	35 ... 45
**Lasagna	One level		2 - 3	200	30 ... 40
**Pizza	One level		2	200 ... 220	15 ... 20
Beef steak (whole) / Roast	One level		3	25 min. 250/max, then 180 ... 190	100 ... 120
Leg of Lamb (casserole)	One level		3	25 min. 220 then 180 ... 190	70 ... 90
Roasted chicken	One level		2	15 min. 250/max, then 190	65 ... 70
Turkey (5.5 kg)	One level		2	25 min. 250/max, then 190	150 ... 210
Fish	One level		3	200	20 ... 30

(**) In a cooking that requires preheating, preheat at the beginning of cooking until the oven reached to adjusted temperature.

Tips for baking cake

- If the cake is too dry, increase the temperature by 10°C and decrease the cooking time.
- If the cake is wet, use less liquid or lower the temperature by 10°C.
- If the cake is too dark on top, place it on a lower rack, lower the temperature and increase the cooking time.
- If cooked well on the inside but sticky on the outside use less liquid, lower the temperature and increase the cooking time.

Tips for baking pastry

- If the pastry is too dry, increase the temperature by 10°C and decrease the cooking time. Dampen the layers of dough with a sauce composed of milk, oil, egg and yoghurt.
- If the pastry takes too long to bake, pay care that the thickness of the pastry you have prepared does not exceed the depth of the tray.
- If the upper side of the pastry gets browned, but the lower part is not cooked, make sure that the amount of sauce you have used for the pastry is not too much at the bottom of the pastry. Try to scatter the sauce equally between the dough

layers and on the top of pastry for an even browning.



Cook the pastry in accordance with the mode and temperature given in the cooking table. If the bottom part is still not browned enough, place it on one lower rack next time.

Tips for cooking vegetables

- If the vegetable dish runs out of juice and gets too dry, cook it in a pan with a lid instead of a tray. Closed vessels will preserve the juice of the dish.
- If a vegetable dish does not get cooked, boil the vegetables beforehand or prepare them like canned food and put in the oven.

How to operate the grill



WARNING

Close oven door during grilling.
Hot surfaces may cause burns!

Switching on the grill

1. Turn the Function knob to the desired grill symbol.
 2. Then, select the desired grilling temperature.
 3. If required, perform a preheating of about 5 minutes.
- » Temperature light turns on.

Switching off the grill

1. Turn the Function knob to Off (top) position.



Foods that are not suitable for grilling carry the risk of fire. Only grill food which is suitable for intensive grilling heat.

Do not place the food too far in the back of the grill. This is the hottest area and fatty food may catch fire.

Cooking times table for grilling

Grilling with electric grill

Food	Rack position	Recommended temperature (°C)**	Grilling time (approx.)
Fish	4..5	250/max	20..25 min. #
Sliced chicken	4..5	250/max	25..35 min.
Lamb chops	4..5	250/max	20..25 min.
Roast beef	4..5	250/max	25..30 min. #
Veal chops	4..5	250/max	25..30 min. #
Toast bread*	4	250/max	1..3 min.

depending on thickness

*Preheat for 5 minutes

**If the grill temperature of your product cannot be adjusted, the grill will work at the maximum temperature.

7 Maintenance and care

General information

Service life of the product will extend and the possibility of problems will decrease if the product is cleaned at regular intervals.

**DANGER:**

Disconnect the product from mains supply before starting maintenance and cleaning works.
There is the risk of electric shock!

**DANGER:**

Allow the product to cool down before you clean it.
Hot surfaces may cause burns!

- Clean the product thoroughly after each use. In this way it will be possible to remove cooking residues more easily, thus avoiding these from burning the next time the appliance is used.
- No special cleaning agents are required for cleaning the product. Use warm water with washing liquid, a soft cloth or sponge to clean the product and wipe it with a dry cloth.
- Always ensure any excess liquid is thoroughly wiped off after cleaning and any spillage is immediately wiped dry.
- Do not use cleaning agents that contain acid or chloride to clean the stainless or inox surfaces and the handle. Use a soft cloth with a liquid detergent (not abrasive) to wipe those parts clean, paying attention to sweep in one direction.



The surface might get damaged by some detergents or cleaning materials.
Do not use aggressive detergents, cleaning powders/creams or any sharp objects during cleaning.
Do not use harsh abrasive cleaners or sharp metal scrapers to clean the oven door glass since they can scratch the surface, which may result in shattering of the glass.



Do not use steam cleaners to clean the appliance as this may cause an electric shock.

Cleaning the hob

Glass ceramic surfaces

Wipe the glass ceramic surface using a piece of cloth dampened with cold water in a manner as not to leave any cleaning agent on it. Dry with a soft and dry cloth.

Residues may cause damage on the glass ceramic surface when using the hob for the next time. Dried residues on the glass ceramic surface should under no circumstances be scraped with hook blades, steel wool or similar tools.

Remove calcium stains (yellow stains) by a small amount of lime remover such as vinegar or lemon juice. You can also use suitable commercially available products.

If the surface is heavily soiled, apply the cleaning agent on a sponge and wait until it is absorbed well. Then, clean the surface of the hob with a damp cloth.



Sugar-based foods such as thick cream and syrup must be cleaned promptly without waiting the surface to cool down. Otherwise, glass ceramic surface may be damaged permanently.

Slight color fading may occur on coatings or other surfaces in time. This will not affect operation of the product.

Color fading and stains on the glass ceramic surface is a normal condition, and not a defect.

Cleaning the control panel

Clean the control panel and knobs with a damp cloth and wipe them dry.



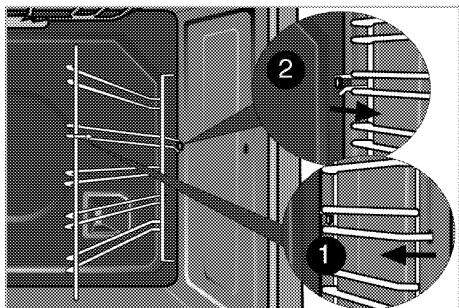
If your product is equipped with buttons/knobs do not remove the control buttons/knobs to clean the control panel.
Control panel may get damaged!

Cleaning the oven

To clean the side wall (Varies depending on the product model.)

(This feature is optional. It may not exist on your product.)

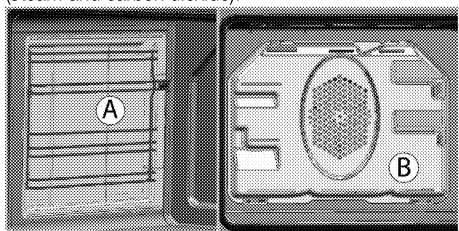
1. Remove the front section of the side rack by pulling it in the opposite direction of the side wall.
2. Remove the side rack completely by pulling it towards you.



Catalytic walls

(This feature is optional. It may not exist on your product.)

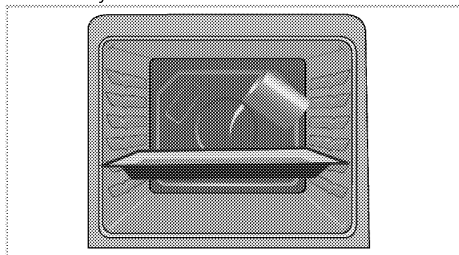
The inner side walls (A) and/or the rear wall (B) of your product may be coated with catalytic enamel. Catalytic walls have a light matte colour and a porous surface. Catalytic walls of the oven should not be cleaned. Porous surfaces of the catalytic walls are automatically cleaned by absorbing and converting the spilled oil (steam and carbon dioxide).



Easy Steam Cleaning

It ensures easy cleaning because the dirt (having waited not for too long) is softened with the steam that forms inside the oven and the water drops condensing on the inner surfaces of the oven.

1. Remove all accessories inside the oven.
2. Pour 500 ml of water into the oven tray and place the tray at the 2nd rack of the oven.



3. Set the oven to easy steam cleaning mode and run at 100°C for 25 minutes.
4. Open the door and wipe the inner surfaces of the oven with a damp sponge or cloth.

5. Use warm water with washing liquid, a soft cloth or sponge to clean the persistent dirt and wipe it with a dry cloth.

Clean oven door

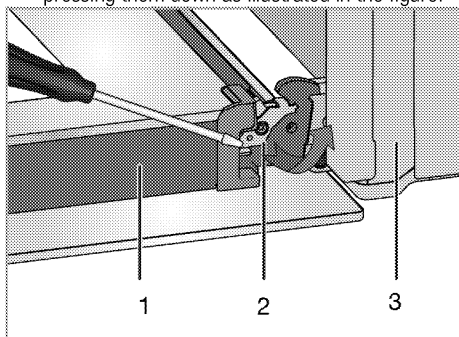
To clean the oven door, use warm water with washing liquid, a soft cloth or sponge to clean the product and wipe it with a dry cloth.



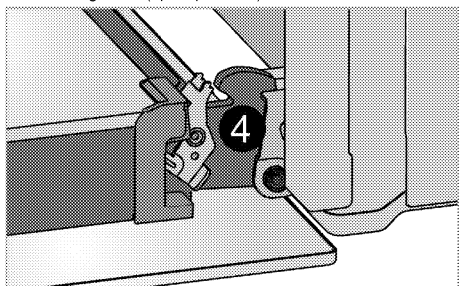
Don't use any harsh abrasive cleaners or sharp metal scrapers for cleaning the oven door. They could scratch the surface and destroy the glass.

Removing the oven door

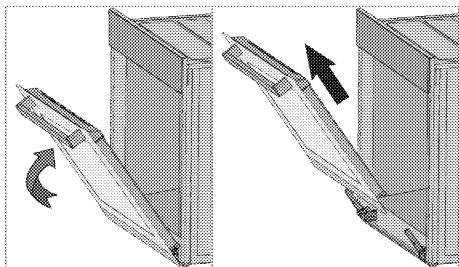
1. Open the front door (1).
2. Open the clips at the hinge housing (2) on the right and left hand sides of the front door by pressing them down as illustrated in the figure.



- 1 Door
- 2 Hinge lock(closed position)
- 3 Oven
- 4 Hinge lock(open position)



3. Move the front door to half-way.



4. Remove the front door by pulling it upwards to release it from the right and left hinges.



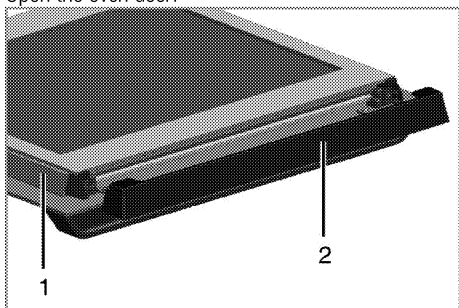
Steps carried out during removing process should be performed in reverse order to install the door. Do not forget to close the clips at the hinge housing when reinstalling the door.

Removing the door inner glass

(This feature is optional. It may not exist on your product.)

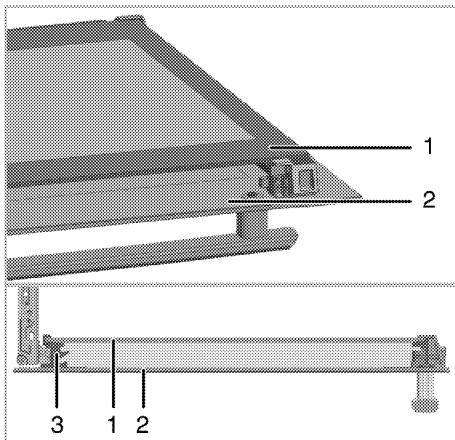
The inner glass panel of the oven door can be removed for cleaning.

Open the oven door.



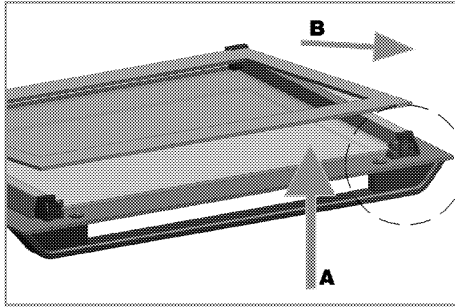
- 1 Frame
- 2 Plastic part

Pull towards yourself and remove the plastic part installed to upper section of the front door.



- 1 Inner glass panel
- 2 Outer glass panel
- 3 Plastic glass panel slot-Lower

As illustrated in figure, raise the innermost glass panel (1) slightly in direction **A** and pull it out in direction **B**.



When installing the inner glass panel (1), make sure that the printed side of the panel faces towards the inner.

It is important to seat lower corner of inner glass panel into the lower plastic slot.

Push the plastic part towards the frame until you hear a "click".

Replacing the oven lamp



DANGER:

Before replacing the oven lamp, make sure that the product is disconnected from mains and cooled down in order to avoid the risk of an electrical shock.
Hot surfaces may cause burns!



The oven lamp is a special electric light bulb that can resist up to 300 °C. See *Technical specifications, page 12* for details. Oven lamps can be obtained from Authorised Service Agents or technician with licence.



Position of lamp might vary from the figure.



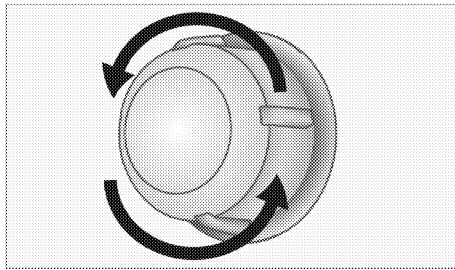
The lamp used in this appliance is not suitable for household room illumination. The intended purpose of this lamp is to assist the user to see foodstuffs.



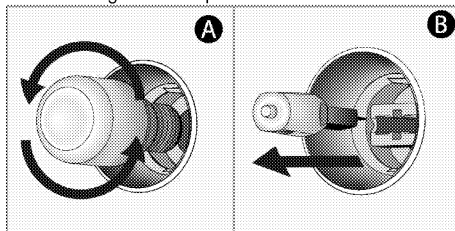
The lamps used in this appliance have to withstand extreme physical conditions such as temperatures above 50 °C.

If your oven is equipped with a round lamp:

1. Disconnect the product from mains.
2. Turn the glass cover counter clockwise to remove it.



3. If your oven lamp is of type (A) shown in the figure below, remove it by rotating as shown and replace it. If it is of type (B), pull and remove it as shown in the figure and replace it.



4. Install the glass cover.

8 Troubleshooting

Oven emits steam when it is in use.

- It is normal that steam escapes during operation. >>> *This is not a fault.*

Product emits metal noises while heating and cooling.

- When the metal parts are heated, they may expand and cause noise. >>> *This is not a fault.*

Product does not operate.

- The mains fuse is defective or has tripped. >>> *Check fuses in the fuse box. If necessary, replace or reset them.*
- Product is not plugged into the (grounded) socket. >>> *Check the plug connection.*

Oven light does not work.

- Oven lamp is defective. >>> *Replace oven lamp.*
- Power is cut. >>> *Check if there is power. Check the fuses in the fuse box. If necessary, replace or reset the fuses.*

Oven does not heat.

- Might not be set to a certain cooking function and/or temperature. >>> *Set the oven to a certain cooking function and/or temperature.*
- Power is cut. >>> *Check if there is power. Check the fuses in the fuse box. If necessary, replace or reset the fuses.*



Consult the Authorised Service Agent or technician with licence or the dealer where you have purchased the product if you can not remedy the trouble although you have implemented the instructions in this section. Never attempt to repair a defective product yourself.

Διαβάστε πρώτα το παρόν εγχειρίδιο χρήσης!

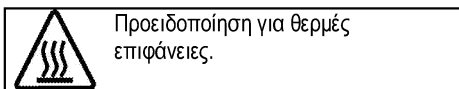
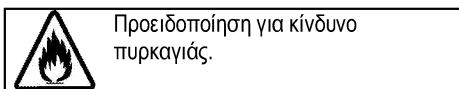
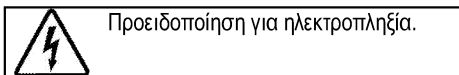
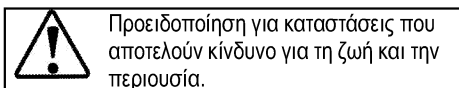
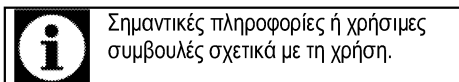
Αγαπητέ Πελάτη,

Ευχαριστούμε που προτιμήσατε ένα προϊόν Davoline. Ελπίζουμε να έχετε τα καλύτερα αποτελέσματα από το προϊόν σας, το οποίο έχει κατασκευαστεί με υψηλή ποιότητα και τεχνολογία αιχμής. Για την ασφάλεια σας και την σωστή χρήση-λειτουργία του προϊόντος, διαβάστε προσεκτικά ολόκληρο το παρόν εγχειρίδιο χρήσης και τα άλλα συνοδευτικά έγγραφα, πριν χρησιμοποιήσετε το προϊόν, και φυλάξτε το ως αναφορά για μελλοντική χρήση. Αν παραδώσετε το προϊόν σε άλλον, παραδώστε μαζί και το εγχειρίδιο χρήσης. Τηρείτε όλες τις προειδοποιήσεις και πληροφορίες που περιέχονται στο εγχειρίδιο χρήσης.

Να θυμάστε ότι αυτό το εγχειρίδιο χρήσης έχει επίσης εφαρμογή και σε αρκετά άλλα μοντέλα. Οι διαφορές ανάμεσα σε μοντέλα θα αναφέρονται στο εγχειρίδιο.

Σημασία των συμβόλων

Σε όλη την έκταση του παρόντος εγχειριδίου χρήσης χρησιμοποιούνται τα εξής σύμβολα:



Arçelik A.Ş.
Karaağaç caddesi No:2-6
34445 Sütlüce/Istanbul/TURKEY
Made in TURKEY

**1 Σημαντικές οδηγίες και
προειδοποιήσεις για την ασφάλεια
και το περιβάλλον 4**

Γενικά για την ασφάλεια 4
Ηλεκτρική ασφάλεια..... 5
Ασφάλεια προϊόντος 6
Προβλεπόμενη χρήση 9
Ασφάλεια παιδιών 10
Τελική διάθεση του παλιού προϊόντος 10
Τελική διάθεση των υλικών συσκευασίας..... 10
Τελική διάθεση του παλιού προϊόντος..... 11

2 Γενικές πληροφορίες 12

Γενική επισκόπηση 12
Περιεχόμενα συσκευασίας 13
Τεχνικές προδιαγραφές..... 14

3 Εγκατάσταση 15

Πριν την εγκατάσταση 15
Εγκατάσταση και σύνδεση 16

4 Προετοιμασίες 18

Πρακτικές συμβουλές για εξοικονόμηση ενέργειας 18
Αρχική χρήση 18
Πρώτος καθαρισμός της συσκευής..... 18
Αρχική θέρμανση..... 18

**5 Πως να χρησιμοποιείτε την πλάκα
εστιών 20**

Γενικές πληροφορίες για το μαγείρεμα..... 20
Χρήση των πλάκων εστιών..... 21

6 Τρόπος χρήση του φούρνου 23

Γενικές πληροφορίες σχετικά με το ψήσιμο γλυκών,
το ψήσιμο φαγητών και το ψήσιμο σε γκριλ . 23
Τρόπος χειρισμού του ηλεκτρικού φούρνου 23
Τρόποι λειτουργίας 24
Πίνακας χρόνων μαγειρέματος 25
Τρόπος χρήσης του γκριλ..... 26
Πίνακας χρόνων μαγειρέματος για γκριλ..... 26

7 Συντήρηση και φροντίδα 27

Γενικές πληροφορίες 27
Καθαρισμός της πλάκας εστιών 27
Καθαρισμός του πίνακα ελέγχου 27
Καθαρισμός του φούρνου 28
Αφαίρεση της πόρτας του φούρνου 28
Αφαίρεση του εσωτερικού τζαμιού πόρτας..... 29
Αντικατάσταση του λαμπτήρα του φούρνου..... 30

8 Αντιμετώπιση προβλημάτων 31

1 Σημαντικές οδηγίες και προειδοποιήσεις για την ασφάλεια και το περιβάλλον

Το τμήμα αυτό περιέχει οδηγίες ασφαλείας που θα σας βοηθήσουν να προστατευτείτε από τον κίνδυνο τραυματισμού και υλικών ζημιών. Η μη τήρηση αυτών των οδηγιών θα έχει ως αποτέλεσμα την ακύρωση κάθε εγγύησης.

Γενικά για την ασφάλεια

- Η συσκευή αυτή μπορεί να χρησιμοποιηθεί από παιδιά από 8 ετών και άνω και από άτομα με μειωμένες σωματικές, αισθητηριακές ή πνευματικές ικανότητες ή με έλλειψη εμπειρίας και γνώσης, αν τους έχει δοθεί επιτήρηση ή εκπαίδευση σχετικά με τη χρήση της συσκευής με ασφαλή τρόπο και κατανοούν τους ενεχόμενους κινδύνους.
Τα παιδιά δεν θα πρέπει να παίζουν με τη συσκευή. Ο καθαρισμός και η συντήρηση από το χρήστη δεν θα πρέπει να γίνεται από παιδιά χωρίς επίβλεψη.
- Η συσκευή δεν προορίζεται για χρήση από άτομα (περιλαμβανομένων παιδιών) με μειωμένες σωματικές, αισθητηριακές ή διανοητικές ικανότητες ή με έλλειψη εμπειρίας και γνώσης, εκτός αν

τα άτομα αυτά έχουν λάβει επιτήρηση ή καθοδήγηση. Τα παιδιά που επιτηρούνται δεν θα πρέπει να παίζουν με τη συσκευή.

- Αν το προϊόν παραδοθεί σε τρίτον για προσωπική χρήση ή για χρήση του ως μεταχειρισμένου προϊόντος, πρέπει να παραδοθούν μαζί του και το εγχειρίδιο χρήσης, οι ετικέτες του προϊόντος και τα άλλα σχετικά με το προϊόν έγγραφα και εξαρτήματα.
- Σε καμία περίπτωση μην τοποθετήσετε το προϊόν πάνω σε δάπεδο που καλύπτεται με χαλί ή μοκέτα. Διαφορετικά, η έλλειψη ροής αέρα κάτω από το προϊόν θα προκαλέσει υπερθέρμανση των ηλεκτρικών εξαρτημάτων. Αυτό θα προκαλέσει προβλήματα με το προϊόν σας.
- Οι διαδικασίες εγκατάστασης και επισκευών πρέπει πάντα να εκτελούνται από αδειούχους τεχνίτες. Ο κατασκευαστής δεν θα φέρει καμία ευθύνη για ζημιές που θα προκύψουν από διαδικασίες που εκτελούνται από μη αδειοδοτημένα άτομα, πράγμα που μπορεί επίσης να

ακυρώσει την εγγύηση. Πριν την εγκατάσταση, διαβάστε προσεκτικά τις οδηγίες.

- Μη χρησιμοποιήσετε το προϊόν αν είναι ελαττωματικό ή έχει οποιαδήποτε ορατή ζημιά.
- Ελέγχετε ότι τα κουμπιά των λειτουργιών του προϊόντος απενεργοποιούνται μετά από κάθε χρήση.

Ηλεκτρική ασφάλεια

- Αν το προϊόν παρουσιάσει βλάβη, δεν θα πρέπει να χρησιμοποιείται, έως ότου επισκευαστεί από τον αδειοδοτημένο αντιπρόσωπο σέρβις. Υπάρχει κίνδυνος ηλεκτροπληξίας!
- Συνδέετε το προϊόν μόνο σε γειωμένη πρίζα/γραμμή με την τάση και προστασία που προβλέπεται στις "Τεχνικές προδιαγραφές". Αναθέστε την εγκατάσταση της γείωσης σε πιστοποιημένο ηλεκτρολόγο αν χρησιμοποιείτε το προϊόν με ή χωρίς μετασχηματιστή. Η εταιρεία μας δεν θα φέρει την ευθύνη για οποιαδήποτε προβλήματα προκύψουν λόγω μη γείωσης του προϊόντος σύμφωνα με τους τοπικούς κανονισμούς.
- Ποτέ μην πλένετε το προϊόν απλώνοντας ή χύνοντας νερό

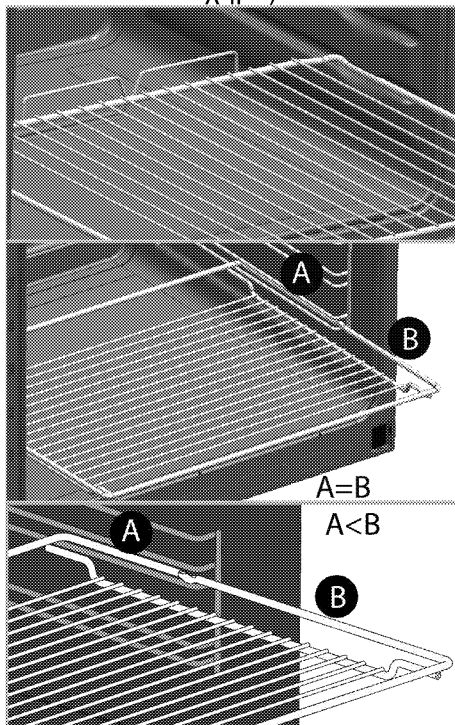
πάνω του! Υπάρχει κίνδυνος ηλεκτροπληξίας!

- Το προϊόν πρέπει να είναι αποσυνδεδεμένο από την πρίζα κατά τις διαδικασίες εγκατάστασης, συντήρησης, καθαρισμού και επισκευών.
- Αν υποστεί ζημιά το καλώδιο σύνδεσης στο ρεύμα, αυτό πρέπει να αντικατασταθεί από τον κατασκευαστή, τον αντιπρόσωπό του σέρβις ή από άτομο με παρόμοια εξειδίκευση, για την αποφυγή κινδύνου.
- Χρησιμοποιείτε μόνο το καλώδιο σύνδεσης που προβλέπεται στις "Τεχνικές προδιαγραφές".
- Η συσκευή πρέπει να εγκατασταθεί έτσι ώστε να είναι εφικτή η πλήρης αποσύνδεσή της από το δίκτυο. Η αποσύνδεση πρέπει να γίνεται είτε μέσω ενός φινι ρεύματος δικτύου, είτε μέσω διακόπτη ενσωματωμένου στη σταθερή ηλεκτρική εγκατάσταση, σύμφωνα με τους κατασκευαστικούς κανονισμούς.
- Η πίσω επιφάνεια του φούρνου αποκτά υψηλή θερμοκρασία όταν χρησιμοποιείται ο φούρνος. Βεβαιωθείτε ότι η σύνδεση ρεύματος δεν έρχεται σε επαφή με την πίσω επιφάνεια, αλλιώς οι συνδέσεις μπορούν να υποστούν ζημιά.

- Μην παγιδεύετε το καλώδιο ρεύματος ανάμεσα στην πόρτα του φούρνου και το πλαίσιο της συσκευής και μην το περάσετε πάνω από θερμές επιφάνειες. Αλλιώς, μπορεί να λιώσει η μόνωση και να προκληθεί φωτιά λόγω βραχυκυκλώματος.
 - Οποιοσδήποτε εργασίες σε εξοπλισμό και συστήματα που λειτουργούν με ηλεκτρισμό θα πρέπει να εκτελούνται μόνο από εξουσιοδοτημένο και πιστοποιημένο προσωπικό.
 - Σε περίπτωση οποιασδήποτε ζημιάς, απενεργοποιήστε τη συσκευή και αποσυνδέστε την από την παροχή ρεύματος δικτύου. Για να το κάνετε αυτό απενεργοποιήστε τον ασφαλειοδιακόπτη της οικιακής εγκατάστασης.
 - Βεβαιωθείτε ότι η ονομαστική τιμή ρεύματος της ασφάλειας είναι σύμφωνη με τα χαρακτηριστικά του προϊόντος.
- Ασφάλεια προϊόντος**
- **ΠΡΟΕΙΔΟΠΟΙΗΣΗ:** Η συσκευή και τα προσπελάσιμα μέρη της αποκτούν υψηλή θερμοκρασία κατά τη χρήση. Θα πρέπει να προσέχετε να μην αγγίζετε τα στοιχεία θέρμανσης (αντιστάσεις). Θα πρέπει να κρατάτε μακριά τα παιδιά ηλικίας μικρότερης των 8 ετών εκτός αν αυτά βρίσκονται υπό διαρκή επίβλεψη.
 - Ποτέ μη χρησιμοποιήσετε το προϊόν αν η κρίση σας ή ο συντονισμός των κινήσεών σας έχει επηρεαστεί από τη χρήση οινόπνευματος και/ή τοξικών ουσιών.
 - Προσέχετε όταν χρησιμοποιείτε αλκοολούχα ποτά στα φαγητά σας. Το οινόπνευμα εξατμίζεται σε υψηλές θερμοκρασίες και μπορεί να προκαλέσει φωτιά, αφού μπορεί να αναφλεγεί αν έρθει σε επαφή με καυτές επιφάνειες.
 - Μην τοποθετείτε οποιαδήποτε εύφλεκτα υλικά κοντά στο προϊόν γιατί οι πλευρές του μπορεί να θερμανθούν πολύ κατά τη χρήση.
 - Κατά τη χρήση η συσκευή αποκτά υψηλή θερμοκρασία. Θα πρέπει να προσέχετε να μην αγγίζετε τα στοιχεία θέρμανσης (αντιστάσεις) μέσα στο φούρνο.
 - Διατηρείτε καθαρά από εμπόδια όλα τα ανοίγματα αερισμού.
 - Μη θερμαίνετε στο φούρνο σφραγισμένα μεταλλικά δοχεία και γυάλινα βάζα. Η πίεση που αναπτύσσεται στο μεταλλικό δοχείο/βάζο μπορεί να προκαλέσει έκρηξή του.

- Μην τοποθετείτε δίσκους και ταψιά ψησίματος, πιάτα ή αλουμινόχαρτο απευθείας πάνω στη βάση του χώρου του φούρνου. Η συσσώρευση της θερμότητας μπορεί να προκαλέσει ζημιά στη βάση του χώρου του φούρνου.
- Μη χρησιμοποιείτε σκληρά καθαριστικά προϊόντα ή αιχμηρές μεταλλικές ξύστρες για τον καθαρισμό του τζαμιού της πόρτας του φούρνου, γιατί αυτά τα είδη μπορούν να χαράξουν την επιφάνεια, με ενδεχόμενο αποτέλεσμα το σπάσιμο του τζαμιού.
- Μη χρησιμοποιείτε ατμοκαθαριστές για τον καθαρισμό του προϊόντος γιατί μπορεί έτσι να προκληθεί ηλεκτροπληξία.
- (Διαφέρει ανάλογα με το μοντέλο του προϊόντος.) Σωστή τοποθέτηση της συρμάτινης σχάρας και του δίσκου πάνω στις συρμάτινες υποδοχές
Είναι σημαντικό να τοποθετείτε σωστά πάνω στην υποδοχή τη συρμάτινη σχάρα και/ή το δίσκο. Τοποθετήστε τη συρμάτινη σχάρα ή το δίσκο ανάμεσα στις 2 ράγες και βεβαιωθείτε ότι ισορροπεί πριν τοποθετήσετε

φαγητό πάνω του (δείτε το ακόλουθο σχήμα).



- Μη χρησιμοποιείτε το προϊόν αν έχει αφαιρεθεί ή ραγίσει το τζάμι της μπροστινής πόρτας.
- Η λαβή της πόρτας του φούρνου δεν είναι στεγνωτήριο πετσετών. Μην κρεμάτε πετσέτες, γάντια ή παρόμοια προϊόντα από ύφασμα όταν είναι ενεργή η λειτουργία γκριλ με ανοικτή πόρτα.
- Να χρησιμοποιείτε πάντοτε ανθεκτικά σε θερμότητα γάντια φούρνου όταν τοποθετείτε ή αφαιρείτε φαγητά από το φούρνο.

- Τοποθετήστε το χαρτί ψησίματος στο σκεύος ή στο εξάρτημα φούρνου (δίσκος, σχάρα, κ.λπ.) μαζί με το φαγητό και στη συνέχεια τοποθετήστε τα όλα σε προθερμασμένο φούρνο. Αφαιρέστε τα πλεονάζοντα τμήματα του χαρτιού ψησίματος που ξεχειλίζουν από το εξάρτημα ή το σκεύος, ώστε να αποτραπεί ο κίνδυνος να αγγίξετε τα θερμαντικά στοιχεία του φούρνου. Να μη χρησιμοποιείτε ποτέ το χαρτί ψησίματος σε θερμοκρασία λειτουργίας μεγαλύτερη από την ενδεικνυόμενη τιμή για το χαρτί. Μην τοποθετείτε το χαρτί ψησίματος απευθείας στη βάση του φούρνου.
- ΠΡΟΕΙΔΟΠΟΙΗΣΗ: Βεβαιωθείτε ότι το καλώδιο ρεύματος της συσκευής έχει αποσυνδεθεί από την πρίζα ή ο διακόπτης κυκλώματος έχει απενεργοποιηθεί πριν αντικαταστήσετε τη λάμπα, για να αποφύγετε την πιθανότητα ηλεκτροπληξίας.
- Η συσκευή δεν πρέπει να εγκατασταθεί πίσω από διακοσμητική πόρτα προκειμένου να αποφευχθεί υπερθέρμανση.
- Το προϊόν πρέπει να τοποθετηθεί απ' ευθείας πάνω στο δάπεδο. Δεν πρέπει να τοποθετηθεί πάνω σε βάση ή βάθρο.
- ΠΡΟΕΙΔΟΠΟΙΗΣΗ: Το μαγείρεμα με λίπος ή λάδι σε πλάκα εστιών χωρίς επιτήρηση, μπορεί να είναι επικίνδυνο και μπορεί να γίνει αιτία φωτιάς. ΠΟΤΕ μην επιχειρήσετε να σβήσετε μια τέτοια φωτιά με νερό, αλλά απενεργοποιήστε τη συσκευή και κατόπιν καλύψτε τη φλόγα, π.χ. με ένα καπάκι ή με κουβέρτα πυρόσβεσης.
- ΠΡΟΣΟΧΗ: Η διαδικασία μαγειρέματος πρέπει να επιτηρείται. Μία σύντομη διαδικασία μαγειρέματος πρέπει να επιτηρείται διαρκώς.
- ΠΡΟΕΙΔΟΠΟΙΗΣΗ: Κίνδυνος φωτιάς: Μη φυλάσσετε ειδη πάνω στις επιφάνειες μαγειρέματος.
- ΠΡΟΕΙΔΟΠΟΙΗΣΗ: Αν η επιφάνεια υποστεί ζημιά, απενεργοποιήστε τη συσκευή για να αποφύγετε την πιθανότητα ηλεκτροπληξίας.
- Σε περίπτωση θραύσης του γυαλιού της εστίας: Απενεργοποιήστε άμεσα όλες τις εστίες αερίου και όλες τις ηλεκτρικές αντιστάσεις θέρμανσης και αποσυνδέστε τη συσκευή από την παροχή ρεύματος. Μην αγγίζετε την

επιφάνεια της συσκευής. Μη χρησιμοποιήσετε τη συσκευή.

- Η συσκευή αυτή δεν προορίζεται για χειρισμό μέσω εξωτερικού χρονοδιακόπτη ή χωριστού συστήματος τηλεχειρισμού.
- Η πίεση των ατμών που αναπτύσσεται λόγω υγρασίας στην επιφάνεια της πλάκας εστιών ή στο κάτω μέρος τους σκεύους μπορεί να προκαλέσει κίνηση του σκεύους. Για το λόγο αυτό, να βεβαιώνετε ότι η επιφάνεια του φούρνου και το κάτω μέρος των σκευών είναι πάντα στεγνά.
- **ΠΡΟΕΙΔΟΠΟΙΗΣΗ:**
Χρησιμοποιείτε μόνο προστατευτικά πλάκας εστιών που έχουν σχεδιαστεί από τον κατασκευαστή της συσκευής μαγειρέματος ή που αναφέρονται από τον κατασκευαστή της συσκευής στις οδηγίες για χρήση ως κατάλληλων ή τα προστατευτικά πλάκας εστιών που είναι ενσωματωμένα στη συσκευή. Η χρήση ακατάλληλων προστατευτικών μπορεί να προκαλέσει ατυχήματα.

Για την ασφάλεια του προϊόντος από φωτιά:

- Βεβαιωθείτε ότι το φως ταιριάζει καλά στην πρίζα, ώστε να μην παράγονται σπινθήρες.
- Μη χρησιμοποιείτε καλώδια που έχουν υποστεί ζημιά ή είναι κομμένα, ούτε καλώδιο επέκτασης, παρά μόνο το αρχικό καλώδιο της συσκευής.
- Βεβαιωθείτε ότι δεν υπάρχει υγρό ή υγρασία στην πρίζα στην οποία έχει συνδεθεί το προϊόν.

Προβλεπόμενη χρήση

- Το προϊόν αυτό έχει σχεδιαστεί για οικιακή χρήση. Δεν επιτρέπεται η επαγγελματική χρήση.
- **ΠΡΟΣΟΧΗ:** Η συσκευή αυτή έχει σχεδιαστεί μόνο για χρήση μαγειρέματος. Δεν πρέπει να χρησιμοποιηθεί για άλλους σκοπούς, όπως για θέρμανση του χώρου.
- Το προϊόν αυτό δεν θα πρέπει να χρησιμοποιείται για θέρμανση των πιάτων κάτω από το γκριλ, για κρέμασμα στις λαβές πετσετών και πανιών πιάτων κλπ. για στέγνωμα και επίσης δεν πρέπει να χρησιμοποιείται για θέρμανση.
- Ο κατασκευαστής δεν θα είναι υπεύθυνος για οποιαδήποτε

βλάβη προκληθεί από λανθασμένη χρήση ή χειρισμό.

- Ο φούρνος μπορεί να χρησιμοποιηθεί για την απόψυξη, το μαγείρεμα και το ψήσιμο φαγητού στο φούρνο και τη σχάρα.

Ασφάλεια παιδιών

- **ΠΡΟΕΙΔΟΠΟΙΗΣΗ:** Τα προσπελάσιμα μέρη μπορεί να αποκτήσουν υψηλή θερμοκρασία κατά τη χρήση. Πρέπει να κρατάτε τα μικρά παιδιά μακριά.
- Τα υλικά συσκευασίας θα είναι επικίνδυνα για τα παιδιά. Κρατάτε τα υλικά συσκευασίας μακριά από παιδιά. Απορρίπτετε όλα τα μέρη της συσκευασίας σύμφωνα με τους περιβαλλοντολογικούς κανονισμούς.
- Τα προϊόντα που λειτουργούν με ηλεκτρισμό είναι επικίνδυνα για τα παιδιά. Κρατάτε τα παιδιά μακριά από το προϊόν όταν λειτουργεί και μην τους επιτρέψετε να παίζουν με το προϊόν.
- Μη τοποθετείτε πάνω από τη συσκευή πράγματα που μπορούν να προσπαθήσουν να φτάσουν τα παιδιά.
- Όταν η πόρτα της συσκευής είναι ανοικτή, μην τοποθετείτε

πάνω της οποιοδήποτε βαρύ αντικείμενο και μην αφήσετε τα παιδιά να καθίσουν πάνω της. Μπορεί να προκληθεί ανατροπή της συσκευής ή να πάθουν ζημιά οι μεντεσέδες της πόρτας.

Τελική διάθεση του παλιού προϊόντος

Συμμόρφωση με την Οδηγία περί αποβλήτων ηλεκτρικού και ηλεκτρονικού εξοπλισμού (ΑΗΗΕ) και τελική διάθεση του προϊόντος:



Το προϊόν αυτό συμμορφώνεται με την Οδηγία της Ευρωπαϊκής Ένωσης περί αποβλήτων ηλεκτρικού και ηλεκτρονικού εξοπλισμού (ΑΗΗΕ) (Οδηγία 2002/96/ΕΕ σε συνδυασμό με 2003/108 ΕΕ και την 2012/19/ΕΕ). Το προϊόν φέρει σύμβολο ταξινόμησης για απόβλητα ηλεκτρικού και ηλεκτρονικού εξοπλισμού (ΑΗΗΕ).

Το προϊόν αυτό έχει κατασκευαστεί με εξαρτήματα και υλικά υψηλής ποιότητας τα οποία μπορούν να επαναχρησιμοποιηθούν και είναι κατάλληλα για ανακύκλωση. Μην απορρίψετε το απόβλητο προϊόν μαζί με τα κανονικά οικιακά και άλλα απορρίμματα στο τέλος της ωφέλιμης ζωής του. Παραδώστε το σε κέντρο συλλογής για την ανακύκλωση ηλεκτρικού και ηλεκτρονικού εξοπλισμού. Ζητήστε πληροφορίες από τις τοπικές σας αρχές σχετικά με αυτά τα κέντρα συλλογής.

Συμμόρφωση με την Οδηγία περί περιορισμού χρήσης ορισμένων επικίνδυνων ουσιών (RoHS):

Το προϊόν που έχετε προμηθευτεί συμμορφώνεται με την Οδηγία της Ευρωπαϊκής Ένωσης περί περιορισμού χρήσης ορισμένων επικίνδυνων ουσιών (RoHS) (2011/65/ΕΕ). Δεν περιέχει επικίνδυνα και απαγορευμένα υλικά που ορίζονται στην Οδηγία.

Τελική διάθεση των υλικών συσκευασίας

- Τα υλικά συσκευασίας είναι επικίνδυνα για τα παιδιά. Διατηρείτε τα υλικά συσκευασίας σε ασφαλές μέρος μακριά από τα παιδιά. Τα υλικά συσκευασίας του προϊόντος είναι κατασκευασμένα από ανακυκλώσιμα υλικά. Η τελική διάθεσή τους πρέπει να γίνεται σωστά και με διαλογή σύμφωνη με τις οδηγίες για τα ανακυκλούμενα απόβλητα. Δεν πρέπει να

απορρίπτονται μαζί με τα κανονικά οικιακά απορρίμματα.

Τελική διάθεση του παλιού προϊόντος

- Φυλάξτε το αρχικό κουτί του προϊόντος και μεταφέρετε το προϊόν μέσα σε αυτό. Ακολουθήστε τις οδηγίες πάνω στο χαρτοκιβώτιο. Αν δεν έχετε το αρχικό χαρτοκιβώτιο, συσκευάστε το προϊόν σε προστατευτικό με φυσαλίδες ή χοντρό χαρτόνι και στερεώστε καλά τη συσκευασία με κολλητική ταινία.
- Για να αποφύγετε ζημιά στη πόρτα του φούρνου από τη σχάρα και το δίσκο που βρίσκονται μέσα στον φούρνο, τοποθετήστε ένα κομμάτι χαρτονιού στην εσωτερική πλευρά της πόρτας του φούρνου στην θέση που βρίσκονται οι δίσκοι. Δέστε με ταινία την πόρτα στα πλαϊνά της τοιχώματα.
- Μη χρησιμοποιείτε την πόρτα ή τη λαβή της για την ανύψωση ή τη μετακίνηση του προϊόντος.



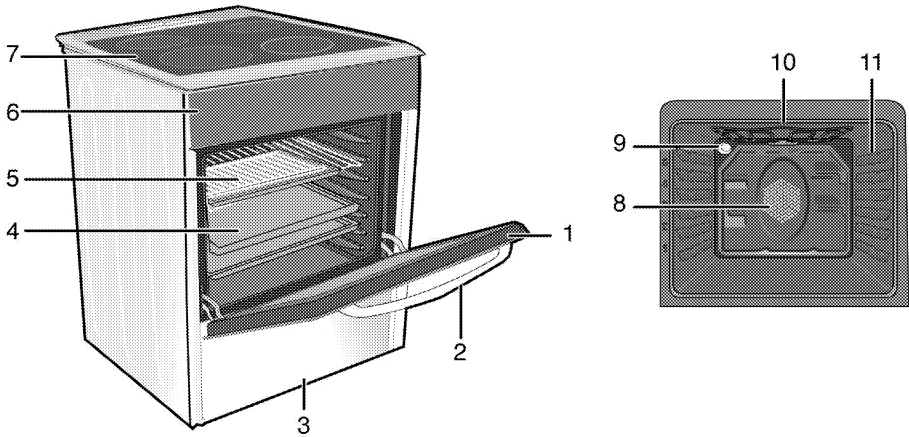
Μην τοποθετείτε οποιαδήποτε αντικείμενα πάνω στη συσκευή και μετακινείτε τη μόνο σε όρθια θέση.



Ελέγξτε τη γενική εμφάνιση του προϊόντος σας για τυχόν ζημιές που μπορεί να έχουν προκληθεί κατά τη μεταφορά.

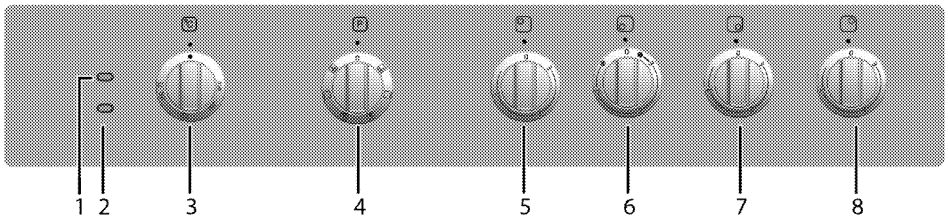
2 Γενικές πληροφορίες

Γενική επισκόπηση



- 1 Μπροστινή πόρτα
- 2 Λαβή
- 3 Κάτω τμήμα
- 4 Δίσκος
- 5 Συρμάτινη σχάρα
- 6 Πίνακας ελέγχου

- 7 Πλάκα εστιών αερίου
- 8 Μοτέρ ανεμιστήρα (πίσω από το χαλύβδινο έλασμα)
- 9 Φως
- 10 Αντίσταση γκριλ
- 11 Θέσεις στο φούρνο



- 1 Προειδοποιητική λυχνία
- 2 Λυχνία θερμοστάτη
- 3 Περιστροφικό κουμπί θερμοστάτη
- 4 Περιστροφικό κουμπί λειτουργιών
- 5 Ηλεκτρική εστία μαγειρέματος μονού κυκλώματος Πίσω αριστερή
- 6 Ηλεκτρική εστία μαγειρέματος διπλού κυκλώματος Εμπρός αριστερή
- 7 Ηλεκτρική εστία μαγειρέματος μονού κυκλώματος Εμπρός δεξιά
- 8 Ηλεκτρική εστία μαγειρέματος μονού κυκλώματος Πίσω δεξιά

Περιεχόμενα συσκευασίας

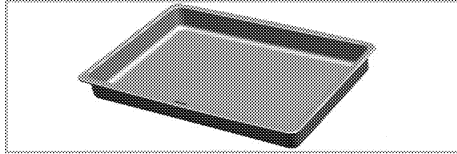


Τα παρεχόμενα αξεσουάρ μπορεί να διαφέρουν ανάλογα με το μοντέλο του προϊόντος. Ενδέχεται στο προϊόν σας να μην υπάρχουν όλα τα αξεσουάρ που περιγράφονται στο εγχειρίδιο χρήστη.

1. Εγχειρίδιο χρήσης

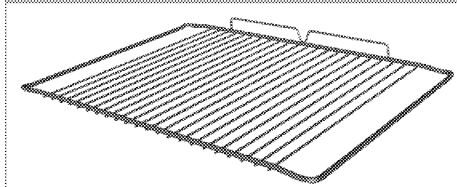
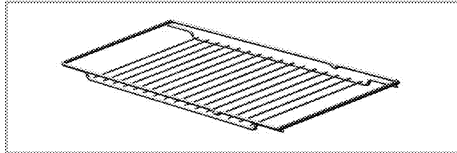
2. Βαθύ ταψί

Χρησιμοποιείται για παρασκευάσματα ζύμης, μεγάλα ψητά, φαγητά με πολλά υγρά και για συλλογή του λίπους κατά το ψήσιμο με γκριλ.



3. Συρμάτινη σχάρα

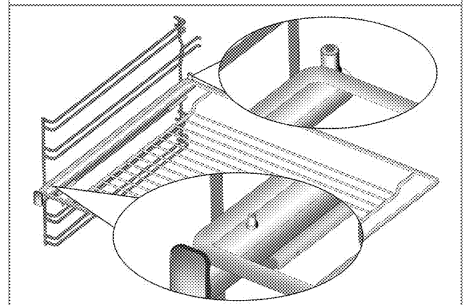
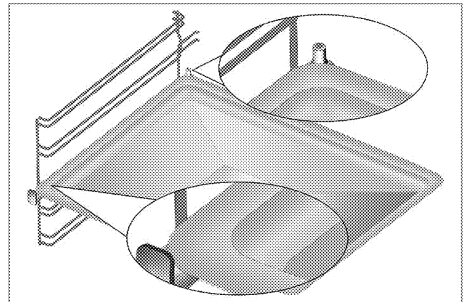
Χρησιμοποιείται για ψήσιμο και για τοποθέτηση στην επιθυμητή υποδοχή του φαγητού που πρόκειται να ψηθεί ή να μαγειρευτεί ραγού.



4. Σωστή τοποθέτηση της συρμάτινης σχάρας και του δίσκου στις τηλεσκοπικές υποδοχές (Αυτό το χαρακτηριστικό είναι προαιρετικό. Ενδέχεται να μην υπάρχει στο δικό σας προϊόν.)

Οι τηλεσκοπικές υποδοχές επιτρέπουν να τοποθετείτε και να αφαιρείτε εύκολα τους δίσκους και τη συρμάτινη σχάρα.

Όταν χρησιμοποιείτε το δίσκο και τη συρμάτινη σχάρα με τηλεσκοπικές υποδοχές, να βεβαιώνετε ότι οι πείροι στο πίσω τμήμα της τηλεσκοπικής υποδοχής βρίσκονται σε επαφή με τα άκρα της συρμάτινης σχάρας και του δίσκου.



Τεχνικές προδιαγραφές

ΓΕΝΙΚΑ	
Εξωτερικές διαστάσεις (ύψος / πλάτος / βάθος)	850 χιλ./600 χιλ./600 χιλ.
Τάση / συχνότητα	220-240V / 380-415 V 3N ~ 50 Hz
Συνολική κατανάλωση ισχύος	9.1 kW
Τύπος καλωδίου / διατομή	ελάχ. H05VV-FG 3 x 4 χιλ. ² / 5 x 1,5 χιλ. ²
ΠΛΑΚΑ ΕΣΤΙΩΝ	
Εστίες αερίου	
Πίσω αριστερή	Ηλεκτρική εστία μαγειρέματος μονού κυκλώματος
Διαστάσεις	160 χιλ.
Ισχύς	1500 W
Εμπρός αριστερή	Ηλεκτρική εστία μαγειρέματος διπλού κυκλώματος
Διαστάσεις	120/210 χιλ.
Ισχύς	750/2200 W
Εμπρός δεξιά	Ηλεκτρική εστία μαγειρέματος μονού κυκλώματος
Διαστάσεις	140 χιλ.
Ισχύς	1200 W
Πίσω δεξιά	Ηλεκτρική εστία μαγειρέματος μονού κυκλώματος
Διαστάσεις	180 χιλ.
Ισχύς	1800 W
ΦΟΥΡΝΟΣ/ΓΚΡΙΛ	
Κύριος φούρνος	Φούρνος πολλαπλών λειτουργιών
Εσωτερικό φως	15-25 W
Κατανάλωση ισχύος γκριλ	2.2 kW

Βασικά: Οι πληροφορίες σχετικά με την ενεργειακή σήμανση ηλεκτρικών φούρνων παρέχονται σύμφωνα με το πρότυπο EN 60350-1 / IEC 60350-1. Οι τιμές αυτές προσδιορίζονται υπό τυποποιημένο φορτίο με λειτουργίες θέρμανσης με κάτω-πάνω αντίσταση ή θέρμανσης με υποβοήθηση ανεμιστήρα (αν υπάρχει). Η κατηγορία ενεργειακής απόδοσης προσδιορίζεται σύμφωνα με την πιο κάτω προτεραιότητα ανάλογα αν οι αντίστοιχες λειτουργίες υπάρχουν στο προϊόν ή όχι. 1- Μαγείρεμα με οικ. ανεμιστήρα, 2- Αργό μαγείρεμα τούρμπο, 3- Μαγείρεμα τούρμπο, 4-Πάνω και κάτω θέρμανση με υποβοήθηση ανεμιστήρα, 5- Πάνω και κάτω θέρμανση.



Οι τεχνικές προδιαγραφές μπορεί να τροποποιηθούν χωρίς προηγούμενη ειδοποίηση για τη βελτίωση της ποιότητας του προϊόντος.




Οι εικόνες στο παρόν εγχειρίδιο περιλαμβάνονται για λόγους σχηματικής απεικόνισης και μόνο και μπορεί να μην ταιριάζουν ακριβώς με το προϊόν σας.





Οι τιμές που αναφέρονται στις πινακίδες του προϊόντος ή σε άλλα έντυπα τεκμηρίωσης που το συνοδεύουν έχουν μετρηθεί σε εργαστηριακές συνθήκες σύμφωνα με τα σχετικά πρότυπα. Ανάλογα με τις συνθήκες λειτουργίας και περιβάλλοντος του προϊόντος, οι τιμές αυτές μπορεί να διαφέρουν.

3 Εγκατάσταση

Το προϊόν θα πρέπει να εγκατασταθεί από πιστοποιημένο άτομο σύμφωνα με τους ισχύοντες κανονισμούς. Διαφορετικά θα ακυρωθεί η εγγύηση. Ο κατασκευαστής δεν θα φέρει καμία ευθύνη για ζημιές που θα προκύψουν από διαδικασίες που εκτελούνται από μη αδειοδοτημένα άτομα και μπορεί να ακυρώσει την εγγύηση.

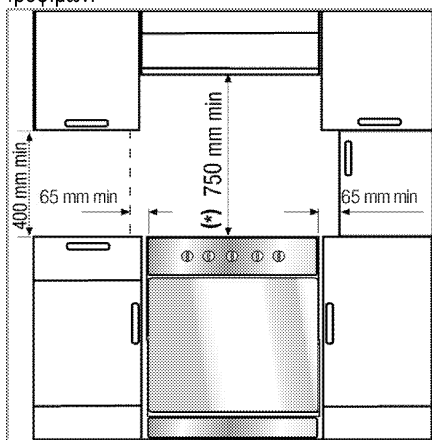
 Η προετοιμασία της θέσης του προϊόντος και των εγκαταστάσεων ρεύματος για το προϊόν αποτελούν ευθύνη του πελάτη.

 **ΚΙΝΔΥΝΟΣ:**
Το προϊόν πρέπει να εγκατασταθεί σύμφωνα με όλους τους τοπικούς κανονισμούς εγκαταστάσεων αερίου και/ή ηλεκτρικών εγκαταστάσεων.

 **ΚΙΝΔΥΝΟΣ:**
Πριν την εγκατάσταση, ελέγξτε οπτικά αν το προϊόν παρουσιάζει οποιοδήποτε ελάττωμα. Αν ναι, τότε μην το εγκαταστήσετε. Τα προϊόντα που έχουν υποστεί ζημιά είναι επικίνδυνα για την ασφάλειά σας.

Πριν την εγκατάσταση

Για να διασφαλιστεί ότι διατηρούνται τα ουσιώδους σημασίας ανοίγματα αέρα κάτω από τη συσκευή, συνιστούμε η συσκευή αυτή να τοποθετηθεί σε σταθερή βάση και τα πόδια να μη βυθίζονται σε οποιοδήποτε χαλί ή μαλακή επένδυση δαπέδου. Το δάπεδο της κουζίνας πρέπει να έχει επαρκή αντοχή για το βάρος της συσκευής συν το πρόσθετο βάρος όλων των μαγειρικών σκευών και των τροφίμων.



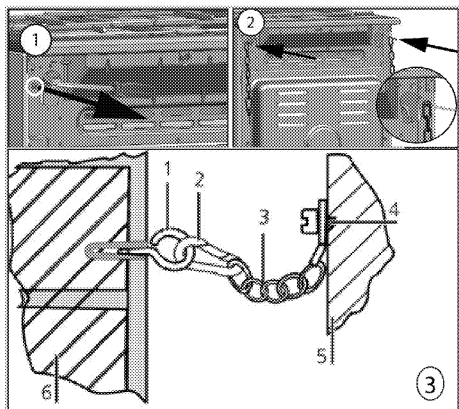
- Μπορεί να χρησιμοποιηθεί με ντουλάπια σε οποιαδήποτε από τις δύο πλευρές, αλλά για να έχετε ελάχιστη απόσταση 400 χιλ. πάνω από την πλάκα εστιών επιτρέπεται πλευρικό διάκενο 65 χιλ. ανάμεσα στη συσκευή και οποιοδήποτε τοίχο, διαχωριστικό ή ψηλό ντουλάπι.
- Μπορεί επίσης να χρησιμοποιηθεί και σε μη εντοιχισμένη θέση. Αφήστε ελάχιστη απόσταση 750 χιλ. πάνω από την επιφάνεια της πλάκας εστιών.
- (*) Αν πρόκειται να εγκατασταθεί απορροφητήρας πάνω από τη συσκευή μαγειρέματος, ανατρέξτε στις οδηγίες του κατασκευαστή του απορροφητήρα σχετικά με το ύψος τοποθέτησης (ελάχιστο 650 χιλ.).
- Η συσκευή αντιστοιχεί σε συσκευή κατηγορίας 1, δηλ. μπορεί να τοποθετηθεί με το πίσω τοίχωμα και **μία** πλευρά σε τοίχο κουζίνας, έπιπλο κουζίνας ή συσκευή οποιοδήποτε μεγέθους. Το έπιπλο κουζίνας ή η συσκευή στην **άλλη** πλευρά μπορεί να είναι μόνο ίδιου ή μικρότερου μεγέθους.
- Οποιοδήποτε έπιπλο κουζίνας δίπλα στη συσκευή θα πρέπει να έχει αντοχή σε υψηλές θερμοκρασίες (τουλάχιστον έως 100 °C).

Αλυσίδα ασφαλείας

Αν το προϊόν σας έχει 2 αλυσίδες ασφαλείας:

Πρέπει να προστατεύετε τη συσκευή από ανατροπή χρησιμοποιώντας στο φούρνο σας τις παρεχόμενες δύο αλυσίδες ασφαλείας.

Στερεώστε το άγκιστρο (1) στον τοίχο της κουζίνας (6) χρησιμοποιώντας κατάλληλο βύσμα και συνδέστε την αλυσίδα ασφαλείας (3) στο άγκιστρο μέσω του μηχανισμού ασφάλισης (2).

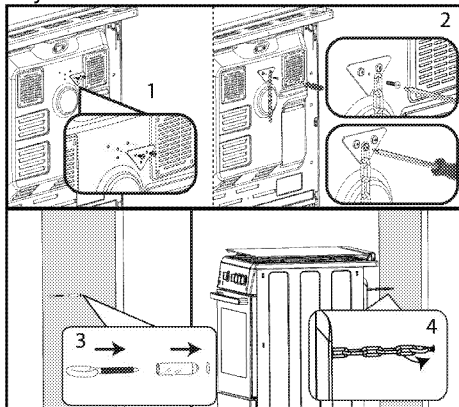


- 1 Άγκιστρο σταθεροποίησης
- 2 Μηχανισμός ασφάλισης
- 3 Αλυσίδα ασφαλείας
- 4 Στερεώστε σταθερά την αλυσίδα στο πίσω μέρος της συσκευής μαγειρέματος
- 5 Πίσω μέρος συσκευής μαγειρέματος
- 6 Τοίχος κουζίνας

Αν το προϊόν σας έχει 1 αλυσίδα ασφαλείας:

Πρέπει να προστατεύετε τη συσκευή από ανατροπή χρησιμοποιώντας στο φούρνο σας την παρεχόμενη μία αλυσίδα ασφαλείας.

Ακολουθήστε τα παρακάτω βήματα στην εικόνα για να στερεώσετε την αλυσίδα ασφαλείας στο προϊόν σας.



i Η αλυσίδα ευστάθειας πρέπει να είναι όσο κοντή όσο είναι πρακτικά δυνατόν, για να αποφεύγεται κλίση προς τα εμπρός και διαγώνια για να αποφεύγεται η πλευρική κλίση.

Αλυσίδα σταθερότητας για συσκευές μαγειρέματος που δεν έχουν σχεδιαστεί με εγκοπή σύμπλεξης του στηρίγματος.

Εγκατάσταση και σύνδεση

Το προϊόν αυτό επιτρέπεται να εγκατασταθεί και να συνδεθεί μόνο σύμφωνα με τους ισχύοντες εθνικούς κανονισμούς εγκαταστάσεων.

i Μην εγκαταστήσετε τη συσκευή δίπλα σε ψυγεία ή καταψύκτες. Η θερμότητα που εκπέμπεται από τη συσκευή θα προκαλέσει αυξημένη κατανάλωση ενέργειας για τις συσκευές ψύξης.

- Το προϊόν πρέπει να μεταφέρεται από τουλάχιστον δύο άτομα.
- Το προϊόν πρέπει να τοποθετηθεί απ' ευθείας πάνω στο δάπεδο. Δεν πρέπει να τοποθετηθεί πάνω σε βάση ή βάθρο.

i Μη χρησιμοποιείτε την πόρτα και/ή τη λαβή της για την ανύψωση ή τη μετακίνηση του προϊόντος. Η πόρτα, η λαβή και οι μεντεσέδες παθαίνουν ζημιά.

Ηλεκτρική σύνδεση

Συνδέστε το προϊόν σε γειωμένη πρίζα/γραμμή που προστατεύεται από ασφαλειοδιακόπτη μίνι τύπου με κατάλληλη ονομαστική τιμή ρεύματος όπως αναφέρεται στον πίνακα "Τεχνικές προδιαγραφές". Αναθέστε την εγκατάσταση της γείωσης σε πιστοποιημένο ηλεκτρολόγο αν χρησιμοποιείτε το προϊόν με ή χωρίς μετασχηματιστή. Η εταιρεία μας δεν θα φέρει την ευθύνη για οποιοσδήποτε ζημίες προκύψουν λόγω χρήσης του προϊόντος χωρίς εγκατάσταση γείωσης που συμμορφώνεται με τους τοπικούς κανονισμούς.

! ΚΙΝΔΥΝΟΣ:
Η μονάδα επιτρέπεται να συνδεθεί στο σύστημα διανομής αερίου μόνο αδειούχους τεχνίτες. Η περίοδος εγγύησης της συσκευής ξεκινά μόνο μετά από σωστή εγκατάσταση. Ο κατασκευαστής δεν θα φέρει την ευθύνη για ζημίες που προκύψουν από διαδικασίες που εκτελούνται από μη αδειοδοτημένα άτομα.

! ΚΙΝΔΥΝΟΣ:
Το καλώδιο ρεύματος δεν πρέπει να σφσιγγεται, να λυγίζεται, να συμπιέζεται ή να έρχεται σε επαφή με ζεστά σημεία της μονάδας.
Αν το καλώδιο τροφοδοσίας υποστεί ζημιά, πρέπει να αντικατασταθεί από αδειούχους τεχνίτες. Διαφορετικά, υπάρχει κίνδυνος ηλεκτροπληξίας, βραχυκυκλώματος ή φωτιάς!

Τα δεδομένα της παροχής ρεύματος δικτύου πρέπει να αντιστοιχούν στα δεδομένα που ορίζονται στην

ετικέτα τύπου του προϊόντος. Μπορείτε να δείτε την πινακίδα στοιχείων είτε ανοίγοντας την πόρτα ή το κάτω κάλυμμα, ή στο πίσω τοίχωμα της μονάδας ανάλογα με τον τύπο της μονάδας.

Το καλώδιο ρεύματος του προϊόντος πρέπει να συμμορφώνεται με τις τιμές στον πίνακα "Τεχνικές προδιαγραφές".



ΚΙΝΔΥΝΟΣ:

Πριν ξεκινήσετε οποιαδήποτε εργασία στην ηλεκτρική εγκατάσταση, αποσυνδέστε τη συσκευή από την παροχή ρεύματος δικτύου. Υπάρχει κίνδυνος ηλεκτροπληξίας!

Σύνδεση του καλωδίου ρεύματος



Κατά την καλωδίωση, πρέπει να συμμορφώνεστε με τους εθνικούς/τοπικούς ηλεκτρολογικούς κανονισμούς και πρέπει να χρησιμοποιείτε πρίζα/καλώδιο και φως που είναι κατάλληλα για το φούρνο. Σε περίπτωση που τα όρια ισχύος του προϊόντος υπερβαίνουν τις τιμές ρεύματος του φως και της πρίζας/του καλωδίου ρεύματος, το προϊόν πρέπει να συνδεθεί απευθείας μέσω σταθερής ηλεκτρικής εγκατάστασης χωρίς χρήση φως και πρίζας/καλωδίου ρεύματος.

1. **Αν δεν παρέχεται καλώδιο ρεύματος μαζί με το προϊόν**, πρέπει στη συσκευή σας να συνδεθεί καλώδιο ρεύματος που θα επιλεγεί από τον πίνακα βάσει της διαθέσιμης οικιακής σας ηλεκτρικής εγκατάστασης. Η σύνδεση πρέπει να γίνει με τήρηση των οδηγιών στο διάγραμμα καλωδίωσης. *Τεχνικές προδιαγραφές, σελίδα 14*

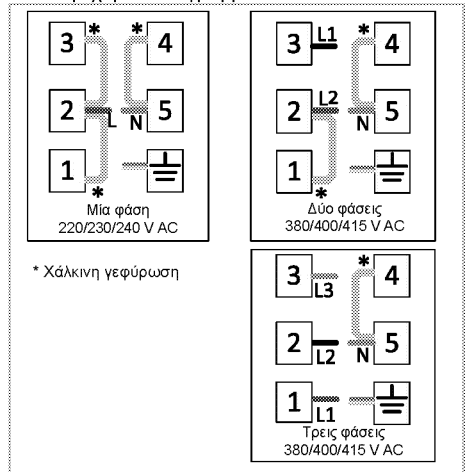
Αν δεν είναι δυνατή η αποσύνδεση όλων των πόλων στην τροφοδοσία ρεύματος, πρέπει να συνδεθεί μια διάταξη απομόνωσης με ελάχιστο διάκενο επαφών 3 χιλ. σε όλους τους πόλους (ασφάλειες, ασφαλειοδιακόπτες γραμμής, επαφείς). Όλοι οι πόλοι της μονάδας αποσύνδεσης πρέπει να είναι κοντά στην κουζίνα (αλλά όχι από πάνω) σύμφωνα με τους ισχύοντες κανονισμούς (π.χ. της IEE για το Ην.Βασ.). Η μη συμμόρφωση με αυτή την οδηγία μπορεί να προκαλέσει λειτουργικά προβλήματα και ακύρωση της εγγύησης του προϊόντος.



Συνιστάται επίσης πρόσθετη προστασία με ρελέ ρεύματος διαρροής.

2. Ανοίξτε το κάλυμμα του μπλοκ των ακροδεκτών με ένα κατσαβίδι.

3. Περάστε το καλώδιο ρεύματος μέσα από το σφινγκτήρα καλωδίου κάτω από τον ακροδεκτή και στερεώστε το στο κύριο σώμα με την ενσωματωμένη βίδα του σφινγκτήρα καλωδίου.
4. Συνδέστε τα καλώδια σύμφωνα με το παρεχόμενο διάγραμμα.



5. Μετά την ολοκλήρωση των συνδέσεων των καλωδίων, κλείστε το κάλυμμα του μπλοκ ακροδεκτών.
6. Περάστε το καλώδιο ρεύματος ώστε να μην είναι σε επαφή με το προϊόν και να μη συμπιέζεται ανάμεσα στο προϊόν και τον τοίχο.



Για λόγους ασφαλείας το καλώδιο δεν πρέπει να έχει μήκος μεγαλύτερο από 2 μέτρα.

- Σπρώξτε τη μονάδα προς τον τοίχο της κουζίνας.
- **Ρύθμιση των ποδιών του φούρνου**
Οι κραδασμοί κατά τη χρήση μπορεί να προκαλέσουν μετακίνηση των μαγειρικών σκευών. Αυτή η επικίνδυνη κατάσταση μπορεί να αποφευχθεί αν η μονάδα είναι οριζοντιωμένη και καλά σταθεροποιημένη. Για τη δική σας ασφάλεια βεβαιωθείτε ότι η μονάδα είναι οριζόντια ρυθμίζοντας τα τέσσερα πόδια στο κάτω μέρος με περιστροφή τους αριστερά ή δεξιά και ευθυγραμμίστε τον πρόσωπο με την επιφάνεια εργασίας.

Τελικός έλεγχος

1. Επανασυνδέστε τη μονάδα στο ρεύμα δικτύου.
2. Ελέγξτε τις ηλεκτρικές λειτουργίες.

4 Προετοιμασίες

Πρακτικές συμβουλές για εξοικονόμηση ενέργειας

Οι πληροφορίες που ακολουθούν θα σας βοηθήσουν να χρησιμοποιείτε τη συσκευή σας με οικολογικό τρόπο και να εξοικονομείτε ενέργεια:

- Χρησιμοποιείτε στο φούρνο σκεύη σκούρου χρώματος ή με επικάλυψη σμάλτου (εμαγιέ), επειδή έτσι η μεταφορά θερμότητας θα είναι καλύτερη.
- Όταν μαγειρεύετε τα φαγητά σας, προθερμάνετε αν συνιστάται στο εγχειρίδιο χρήση ή στις οδηγίες μαγειρέματος.
- Κατά το μαγείρεμα μην ανοίγετε συχνά την πόρτα του φούρνου.
- Προσπαθήστε να μαγειρεύετε συγχρόνως περισσότερα από ένα φαγητά στο φούρνο όταν είναι δυνατόν. Μπορείτε να μαγειρέψετε τοποθετώντας δύο μαγειρικά σκεύη στη συρμάτινη σχάρα.
- Μαγειρεύετε ένα φαγητό μετά από το άλλο. Ο φούρνος θα είναι ήδη ζεστός.
- Μπορείτε να εξοικονομήσετε ενέργεια σβήνοντας το φούρνο σας λίγα λεπτά πριν το τέλος του χρόνου μαγειρέματος. Μην ανοίγετε την πόρτα του φούρνου.
- Αποψύχετε τα κατεψυγμένα τρόφιμα πριν τα μαγειρέψετε.
- Χρησιμοποιείτε για το μαγείρεμα κασαρόλες και τηγάνια με καπάκι. Αν δεν χρησιμοποιείται καπάκι, η κατανάλωση ενέργειας μπορεί να αυξηθεί 4 φορές.
- Επιλέξτε την εστία αερίου που είναι κατάλληλη για το μέγεθος της βάσης του σκεύους που πρόκειται να χρησιμοποιηθεί. Πάντα επιλέγετε το σωστό μέγεθος σκεύους για τα φαγητά σας. Για τα μεγαλύτερα σκεύη απαιτείται περισσότερη ενέργεια.
- Προσέχετε να χρησιμοποιείτε σκεύη με επίπεδη βάση όταν μαγειρεύετε με ηλεκτρικές πλάκες εστιών.
Τα σκεύη με βάσεις μεγάλου πάχους θα παρέχουν καλύτερη μεταφορά θερμότητας. Μπορείτε έτσι να εξοικονομήσετε έως 1/3 της ενέργειας.
- Τα σκεύη πρέπει να είναι συμβατά με τις ζώνες μαγειρέματος. Η βάση των σκευών δεν πρέπει να είναι μικρότερη από την ηλεκτρική εστία.
- Διατηρείτε τις ζώνες μαγειρέματος και τις βάσεις των σκευών σε καθαρή κατάσταση. Οι

βρομίες θα μειώσουν τη μεταφορά θερμότητας ανάμεσα στη ζώνη μαγειρέματος και τη βάση του σκεύους.

- Για μαγείρεμα μεγάλης διάρκειας, απενεργοποιείτε τη ζώνη μαγειρέματος 5 έως 10 λεπτά πριν το τέλος του χρόνου μαγειρέματος. Μπορείτε έτσι να εξοικονομήσετε έως 20% της ενέργειας με τη χρήση της υπολειπόμενης θερμότητας.

Αρχική χρήση

Πρώτος καθαρισμός της συσκευής



Η επιφάνεια μπορεί να υποστεί ζημιά από ορισμένα απορρυπαντικά ή καθαριστικά υλικά.

Μη χρησιμοποιείτε για τον καθαρισμό σκληρά απορρυπαντικά, σκόνες/κρέμες καθαρισμού ή οποιαδήποτε αιχμηρά αντικείμενα.

1. Αφαιρέστε όλα τα υλικά συσκευασίας.
2. Σκουπίστε τις επιφάνειες της συσκευής με ένα ελαφρά υγρό πανί ή σφουγγάρι και στεγνώστε με ένα άλλο πανί.

Αρχική θέρμανση

Θερμάνετε το προϊόν για περίπου 30 λεπτά και μετά απενεργοποιήστε το. Έτσι τυχόν κατάλοιπα ή επιστρώσεις θα καούν και θα απομακρυνθούν.



ΠΡΟΕΙΔΟΠΟΙΗΣΗ!

Οι καυτές επιφάνειες προκαλούν εγκαύματα! Η συσκευή μπορεί να βρίσκεται σε υψηλή θερμοκρασία όταν χρησιμοποιείται. Ποτέ να μην αγγίζετε τις ζεστές εστίες, τα εσωτερικά τμήματα του φούρνου, τα στοιχεία θέρμανσης κλπ. Κρατάτε τα παιδιά μακριά! Να χρησιμοποιείτε πάντοτε ανθεκτικά σε θερμότητα γάντια φούρνου όταν τοποθετείτε ή αφαιρείτε φαγητά από το φούρνο.

Ηλεκτρικός φούρνος

1. Βγάλτε από το φούρνο όλους τους δίσκους ψησίματος και τη συρμάτινη σχάρα.
2. Κλείστε την πόρτα του φούρνου.
3. Επιλέξτε Στατική θέση.
4. Επιλέξτε την υψηλότερη ισχύ του γκριλ, βλ. *Τρόπος χειρισμού του ηλεκτρικού φούρνου, σελίδα 23.*
5. Αφήστε το φούρνο να λειτουργήσει για 30 λεπτά.
6. Απενεργοποιήστε το φούρνο σας, βλ. *Τρόπος χειρισμού του ηλεκτρικού φούρνου, σελίδα 23*

Φούρνος γκριλ

1. Βγάλτε από το φούρνο όλους τους δίσκους ψησίματος και τη συρμάτινη σχάρα.
2. Κλείστε την πόρτα του φούρνου.
3. Επιλέξτε την υψηλότερη ισχύ του γκριλ, βλ. *Τρόπος χρήσης του γκριλ, σελίδα 26.*
4. Αφήστε το φούρνο να λειτουργήσει για 30 λεπτά.
5. Απενεργοποιήστε το γκριλ σας, βλ. *Τρόπος χρήσης του γκριλ, σελίδα 26*



Για δύο περίπου ώρες κατά την πρώτη λειτουργία μπορεί να παραχθεί οσμή και καπνός. Αυτό είναι πολύ φυσιολογικό. Βεβαιωθείτε ότι ο χώρος αερίζεται καλά για να απομακρύνεται ο καπνός και η οσμή. Αποφεύγετε την απ' ευθείας εισπνοή του καπνού και της οσμής που παράγονται.

5 Πως να χρησιμοποιείτε την πλάκα εστιών

Γενικές πληροφορίες για το μαγείρεμα



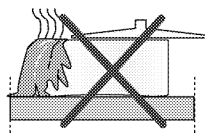
Ποτέ μην προσθέσετε στο τηγάνι λάδι πάνω από το ένα τρίτο του ύψους του. Μην αφήνετε την πλάκα εστιών χωρίς επίτηρηση όταν ζεσταίνετε λάδι. Η υπερθέρμανση του λαδιού προκαλεί κίνδυνο φωτιάς. **Μην προσπαθήσετε ποτέ να σβήσετε ενδεχόμενη φωτιά με νερό!** Όταν το λάδι πιάσει φωτιά, καλύψτε το με κουβέρτα κατάσβεσης φωτιάς ή με ένα υγρό πανί. Απενεργοποιήστε την πλάκα εστιών, αν είναι ασφαλές να το κάνετε, και τηλεφωνήστε στην Πυροσβεστική υπηρεσία.

- Πριν το τηγάνισμα τροφίμων, πάντα να τα στεγνώνετε καλά. Κατόπιν τοποθετείτε τα προσεκτικά μέσα στο καυτό λάδι. Να εξασφαλίσετε ότι τα κατεψυγμένα τρόφιμα έχουν αποψυχθεί πλήρως πριν τα τηγανίσετε.
- Όταν ζεσταίνετε το λάδι μην καλύπτετε το σκεύος.
- Τοποθετείτε τα τηγάνια και τις κασαρόλες με τρόπο ώστε οι λαβές τους να μην είναι πάνω από τις εστίες, για να αποφύγετε θέρμανση των λαβών. Μην τοποθετείτε πάνω στην πλάκα εστιών σκεύη που δεν είναι σταθερά ή μπορούν να ανατραπούν εύκολα.
- Μην τοποθετείτε κενά σκεύη και κασαρόλες σε αναμμένες εστίες. Μπορεί να υποστούν ζημιά.
- Η λειτουργία μιας εστίας χωρίς σκεύος ή κασαρόλα πάνω της θα προκαλέσει ζημιά στη συσκευή. Απενεργοποιείτε τις εστίες όταν τελειώνετε το μαγείρεμα.
- Επειδή η επιφάνεια του προϊόντος μπορεί να είναι καυτή, μην τοποθετείτε πάνω της σκεύη από αλουμίνιο και πλαστικό. Καθαρίζετε αμέσως οποιαδήποτε τέτοια υλικά έχουν λιώσει πάνω στην επιφάνεια. Αυτά τα σκεύη δεν θα πρέπει να χρησιμοποιούνται ούτε για τη φύλαξη των τροφίμων.
- Χρησιμοποιείτε μόνο κασαρόλες ή σκεύη με επίπεδη βάση.
- Τοποθετείτε την κατάλληλη ποσότητα φαγητού μέσα στις κασαρόλες και τα τηγάνια. Έτσι δεν

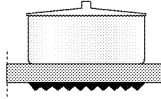
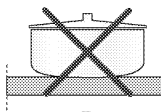
θα χρειαστεί να καθαρίζετε άσκοπα, αφού θα αποτρέψετε την υπερχέλιση του φαγητού. Μην τοποθετείτε τα καπάκια από τις κασαρόλες ή τα τηγάνια πάνω στις εστίες. Τοποθετείτε τις κασαρόλες έτσι ώστε να είναι κεντραρισμένες πάνω στη εστία. Αν θέλετε να μετακινήσετε την κασαρόλα σε άλλη εστία, σηκώστε την και τοποθετήστε τη στη εστία που θέλετε αντί να τη σύρετε.

Πρακτικές συμβουλές για υαλοκεραμικές πλάκες εστιών.

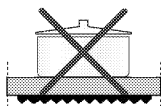
- Η υαλοκεραμική επιφάνεια είναι ανθεκτική στη θερμότητα και δεν επηρεάζεται από μεγάλες διαφορές θερμοκρασίας.
- Μην χρησιμοποιείτε την υαλοκεραμική επιφάνεια ως χώρο αποθήκευσης ή σαν σανίδα κοπής.
- Χρησιμοποιείτε μόνο κασαρόλες και τηγάνια με μηχανικά επεξεργασμένες βάσεις. Οι αιχμηρές ακμές προκαλούν γρατσουνιές στην επιφάνεια.
- Μην χρησιμοποιείτε σκεύη και κασαρόλες από αλουμίνιο. Το αλουμίνιο προξενεί ζημιά στην υαλοκεραμική επιφάνεια.



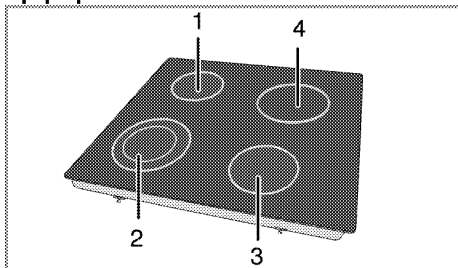
Τα χυμένα φαγητά μπορούν να προξενήσουν ζημιά στην υαλοκεραμική επιφάνεια και να προκαλέσουν φωτιά. Μην χρησιμοποιείτε σκεύη με κοίλες ή κυρτές βάσεις.



Χρησιμοποιείτε μόνο κασαρόλες και τηγάνια με επίπεδες βάσεις. Έτσι εξασφαλίζετε καλύτερη μεταφορά θερμότητας. Αν η διάμετρος της κασαρόλας είναι πολύ μικρή, θα καταναλώνεται άσκοπα ενέργεια.



Χρήση των πλακών εστιών



- 1 Ηλεκτρική εστία μαγειρέματος μονού κυκλώματος 16-18 εκ.
- 2 Ηλεκτρική εστία μαγειρέματος διπλού κυκλώματος 12-14/21-23 εκ.
- 3 Ηλεκτρική εστία μαγειρέματος μονού κυκλώματος 14-16 εκ.
- 4 Ηλεκτρική εστία μαγειρέματος μονού κυκλώματος 18-20 εκ. είναι λίστα συνιστώμενης διαμέτρου σκευών προς χρήση σε αντίστοιχες εστίες αερίου.



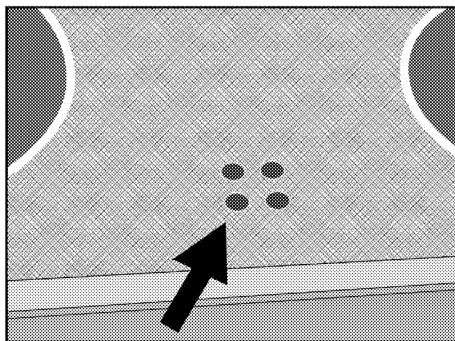
ΚΙΝΔΥΝΟΣ:

Μην αφήνετε οποιαδήποτε αντικείμενα να πέφτουν πάνω στην πλάκα εστιών. Ακόμα και μικρά αντικείμενα όπως μια αλατιέρα μπορεί να προκαλέσουν ζημιά στην πλάκα εστιών.

Μη χρησιμοποιείτε πλάκες εστιών που έχουν ραγίσει. Μπορεί να περάσει νερό από τις ρωγμές και να προκαλέσει βραχυκύκλωμα. Σε περίπτωση οποιουδήποτε είδους ζημιάς στην επιφάνεια (όπως οι ορατές ρωγμές), απενεργοποιήστε αμέσως τη συσκευή για να ελαχιστοποιήσετε τον κίνδυνο ηλεκτροπληξίας.

Η υαλοκεραμική πλάκα εστιών διαθέτει λυχνία λειτουργίας και προειδοποιητική ένδειξη θερμής εστίας.

Η προειδοποιητική ένδειξη θερμής εστίας δείχνει την θέση της ενεργής εστίας και παραμένει αναμμένη μετά την απενεργοποίηση της ηλεκτρικής εστίας. Όταν η θερμοκρασία της ηλεκτρικής εστίας πέσει ως ένα επίπεδο που μπορεί κάποιος να την αγγίξει με το χέρι, η προειδοποιητική ένδειξη απενεργοποιείται. Τυχόν αναβοσβήσιμο της προειδοποιητικής ένδειξης θερμής εστίας δεν αποτελεί βλάβη.



Ενεργοποίηση των κεραμικών ηλεκτρικών εστιών

Για τη λειτουργία των εστιών χρησιμοποιούνται τα κουμπιά ελέγχου της πλάκας εστιών. Για να έχετε επιθυμητή ισχύ μαγειρέματος, γυρίζετε τα κουμπιά ελέγχου της πλάκας εστίας στο αντίστοιχο επίπεδο.

Επίπεδο μαγειρέματος	1	2	3
ζέσταμα	βράσιμο, σιγοβράσιμο	μαγειρέμα, ψήσιμο, βράσιμο	

Απενεργοποίηση των κεραμικών ηλεκτρικών εστιών

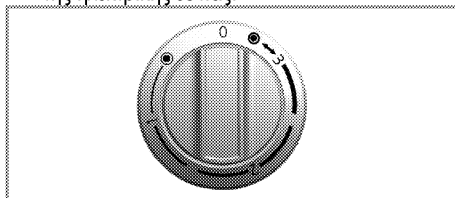
Γυρίστε το περιστροφικό κουμπί ηλεκτρικής εστίας στη θέση απενεργοποίησης (πάνω).

Χρήση εστιών με πολλά τμήματα

Οι εστίες με πολλά τμήματα επιτρέπουν το μαγείρεμα με διαφορετικό μέγεθος σκευών στην ίδια εστία.

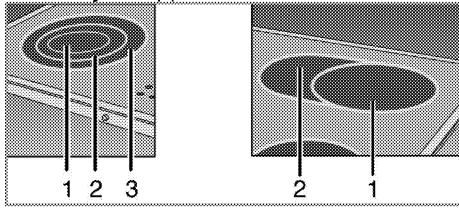
Όταν ενεργοποιηθούν αυτές οι εστίες, ανάβει πρώτα το εσωτερικό τμήμα.

1. Για να αλλάξετε την ενεργή διάμετρο της εστίας, γυρίστε το περιστροφικό κουμπί ελέγχου δεξιόστροφα.
2. Θα ακουστεί ένα "κλικ" καθώς αλλάζει η ακτίνα της ηλεκτρικής εστίας.



Απενεργοποίηση εστιών πολλαπλών τμημάτων

1. Για απενεργοποίηση, γυρίστε το περιστροφικό κουμπί αριστερόστροφα στη θέση απενεργοποίησης (πάνω). Όλα τα τμήματα της εστίας απενεργοποιούνται.



- 1 Θέση 1
- 2 Θέση 2
- 3 Θέση 3



Οι θέσεις 2 και 3 των εστιών με πολλά τμήματα δεν λειτουργούν ανεξάρτητα.

6 Τρόπος χρήση του φούρνου

Γενικές πληροφορίες σχετικά με το ψήσιμο γλυκών, το ψήσιμο φαγητών και το ψήσιμο σε γκριλ



ΠΡΟΕΙΔΟΠΟΙΗΣΗ!

Οι καυτές επιφάνειες προκαλούν εγκαύματα! Η συσκευή μπορεί να βρίσκεται σε υψηλή θερμοκρασία όταν χρησιμοποιείται. Ποτέ να μην αγγίζετε τις ζεστές εστίες, τα εσωτερικά τμήματα του φούρνου, τα στοιχειά θέρμανσης κλπ. Κρατάτε τα παιδιά μακριά! Να χρησιμοποιείτε πάντοτε ανθεκτικά σε θερμότητα γάντια φούρνου όταν τοποθετείτε ή αφαιρείτε φαγητά από το φούρνο.



ΚΙΝΔΥΝΟΣ:

Προσέχετε όταν ανοίγετε την πόρτα του φούρνου καθώς μπορεί να διαφύγει ατμός. Ο ατμός που βγαίνει μπορεί να ζεματίσει τα χέρια, το πρόσωπο και/ή τα μάτια σας.

Πρακτικές συμβουλές για ψήσιμο γλυκών

- Χρησιμοποιείτε κατάλληλους αντικολλητικούς μεταλλικούς δίσκους ή αντίστοιχα αλουμινένια σκεύη ή φόρμες σιλικόνης ανθεκτικές στη θερμότητα.
- Χρησιμοποιείτε αποτελεσματικά το χώρο στις υποδοχές.
- Τοποθετείτε τη φόρμα ψησίματος στη μεσαία θέση στις υποδοχές.
- Επιλέξτε τη σωστή θέση στο φούρνο πριν ανάψετε το φούρνο ή το γκριλ. Μην αλλάζετε τη θέση στην υποδοχή όταν ο φούρνος είναι ζεστός.
- Διατηρείτε την πόρτα του φούρνου κλειστή.

Πρακτικές συμβουλές για ψήσιμο σε ταψί

- Τα αποτελέσματα του μαγειρέματος θα είναι καλύτερα αν χρησιμοποιήσετε σε ολόκληρο κοτόπουλο, γαλοπούλα και μεγάλα κομμάτια κρέατος καρυκεύματα όπως χυμό λεμονιού και μαύρο πιπέρι.
- Χρειάζονται 15 έως 30 λεπτά περισσότερο για να ψήσετε κρέας με κόκαλα σε σύγκριση με ίδιου μεγέθους κρέας χωρίς κόκαλα.
- Θα πρέπει να υπολογίζετε περίπου 4 έως 5 λεπτά χρόνο μαγειρέματος ανά εκατοστό πάχους του κρέατος.
- Μετά το μαγείρεμα, αφήστε το κρέας σε ηρεμία στο φούρνο για περίπου 10 λεπτά. Έτσι η εσωτερικοί ζυμοί μοιράζονται ομοιόμορφα σε

όλο το ψητό και δεν στάζουν όταν κοπεί το κρέας.

- Το ψάρι θα πρέπει να τοποθετείται στη μεσαία ή στην κάτω θέση στις υποδοχές σε σκεύος ανθεκτικό σε θερμότητα.

Πρακτικές συμβουλές για ψήσιμο στη σχάρα (γκριλ)

Όταν ψήνετε σε γκριλ κρέας, ψάρι και πουλερικά, τα φαγητά αποκτούν γρήγορα καφέ χρώμα, έχουν ωραία κρούστα και δεν στεγνώνουν. Τα επίπεδα κομμάτια, τα σουβλάκια και τα λουκάνικα, αλλά και τα λαχανικά με μεγάλη περιεκτικότητα σε νερό, όπως τομάτες και κρεμμύδια, είναι ιδιαίτερα κατάλληλα για ψήσιμο σε γκριλ.

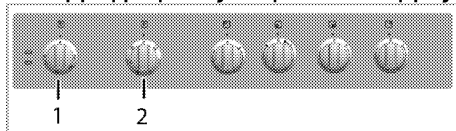
- Κατανείμειτε τα κομμάτια που πρόκειται να ψηθούν στη συρμάτινη σχάρα ή στο ταψί με συρμάτινη σχάρα με τέτοιο τρόπο ώστε η επιφάνεια που καλύπτεται να μην υπερβαίνει το περίγραμμα της αντίστασης.
- Τοποθετήστε τη συρμάτινη σχάρα ή το ταψί με σχάρα στο επιθυμητό επίπεδο στο φούρνο. Αν ψήνετε στη συρμάτινη σχάρα, τοποθετήστε το ταψί στην κατώτερη θέση για τη συλλογή των λιπών. Προσθέστε στο ταψί λίγο νερό για να διευκολύνετε τον καθαρισμό του.



Τα τρόφιμα που δεν είναι κατάλληλα για ψήσιμο στο γκριλ προκαλούν κίνδυνο πυρκαγιάς. Για ψήσιμο στο γκριλ χρησιμοποιείτε μόνο τρόφιμα που είναι κατάλληλα για την έντονη θέρμανση κατά το ψήσιμο σε γκριλ. Μην τοποθετείτε το φαγητό πολύ πίσω στο ράφι του γκριλ. Αυτό είναι το πιο ζεστό σημείο και ένα φαγητό με πολύ λίπος μπορεί να πιάσει φωτιά.

Τρόπος χειρισμού του ηλεκτρικού φούρνου

Επιλογή θερμοκρασίας και τρόπου λειτουργίας



- 1 Περιστροφικό κουμπί θερμοστάτ
- 2 Περιστροφικό κουμπί λειτουργιών

1. Ρυθμίστε το κουμπί Θερμ. °C στην επιθυμητή θερμοκρασία.
2. Ρυθμίστε το κουμπί λειτουργιών στον επιθυμητό τρόπο λειτουργίας.

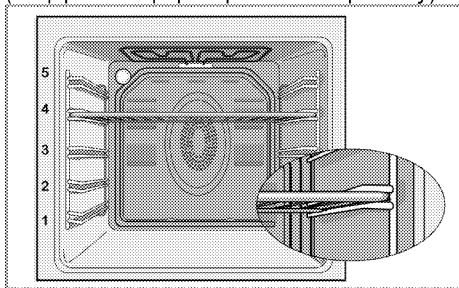
» Ο φούρνος θερμαίνεται ως τη ρυθμισμένη θερμοκρασία και κατόπιν διατηρεί αυτή τη θερμοκρασία. Κατά τη θέρμανση, η λυχνία θερμοκρασίας παραμένει αναμμένη.

Απενεργοποίηση του ηλεκτρικού φούρνου

Γυρίστε το κουμπί λειτουργιών και το κουμπί θερμοκρασίας στη θέση απενεργοποίησης (πάνω). Είναι σημαντικό να τοποθετηθεί σωστά η συρμάτινη σχάρα στη συρμάτινη υποδοχή. Η συρμάτινη σχάρα πρέπει να εισαχθεί ανάμεσα στις συρμάτινες υποδοχές όπως φαίνεται στην εικόνα.

Μην αφήσετε τη συρμάτινη σχάρα να είναι σε επαφή με το πίσω τοίχωμα του φούρνου. Περάστε τη συρμάτινη σχάρα στο μπροστινό μέρος της υποδοχής και σταθεροποιήστε τη θέση του με τη βοήθεια της πόρτας για να αποκτήσετε καλή απόδοση γκριλ.

(Διαφέρει ανάλογα με το μοντέλο του προϊόντος.)



Τρόποι λειτουργίας

Η σειρά των τρόπων λειτουργίας που αναφέρονται εδώ μπορεί να διαφέρει από τη διαρρύθμιση στο προϊόν που κατέχετε.

Top and bottom heating (Πάνω και κάτω αντίσταση)



Λειτουργούν η πάνω και η κάτω αντίσταση. Το φαγητό θερμαίνεται ομοιόμορφα από πάνω και κάτω. Για παράδειγμα, η επιλογή είναι κατάλληλη για κέικ, γλυκά ζύμης ή κέικ και συνταγές ραγού σε φόρμες ψησίματος. Μαγείρεμα με ένα δίσκο μόνο.

Bottom heating (Κάτω αντίσταση)



Λειτουργεί μόνο η κάτω αντίσταση. Λειτουργία κατάλληλη για πίτσα και ακόλουθο ξεροψήσιμο του φαγητού από το κάτω μέρος.



Αυτή η λειτουργία πρέπει να χρησιμοποιείται και για τον εύκολο καθαρισμό με ατμό.

Fan supported bottom/top heating (Κάτω/πάνω αντίσταση με υποβοήθηση ανεμιστήρα)



Λειτουργούν η πάνω και κάτω αντίσταση συν ο ανεμιστήρας (στο πίσω τοίχωμα). Ο θερμός αέρας κατανέμεται ομοιόμορφα σε όλο το φούρνο πολύ γρήγορα χάρη στον ανεμιστήρα. Μαγείρεμα με ένα δίσκο μόνο.

Full grill (Γκριλ δυνατό)



Λειτουργεί το μεγάλο γκριλ στην οροφή του φούρνου. Είναι τρόπος κατάλληλος για το ψήσιμο στο γκριλ μεγάλων ποσοτήτων κρέατος.

- Τοποθετήστε κάτω από την αντίσταση γκριλ μερίδες μεγάλου ή μεσαίου μεγέθους στη σωστή θέση στην υποδοχή για ψήσιμο γκριλ.
- Ρυθμίστε τη θερμοκρασία στο μέγιστο επίπεδο.
- Γυρίστε το φαγητό μετά το μισό χρόνο ψησίματος.

Grill+Fan (Γκριλ+Αέρας)



Η ισχύς ψησίματος στο γκριλ δεν είναι τόσο έντονη όσο με το Γκριλ δυνατό.

- Τοποθετήστε μικρού ή μεσαίου μεγέθους μερίδες στη σωστή θέση ραφιού για ψήσιμο γκριλ.
- Ρυθμίστε την επιθυμητή θερμοκρασία.
- Γυρίστε το φαγητό μετά το μισό χρόνο ψησίματος.

Ενίσχυση θέρμανσης



Η λειτουργία αυτή χρησιμοποιείται για ταχεία θέρμανση του φούρνου. Δεν είναι κατάλληλη για μαγείρεμα φαγητού.

- Αφού επιλέξετε αυτή τη λειτουργία, επιλέξτε την επιθυμητή θερμοκρασία. Η λυχνία θερμ. °C ανάβει και ο φούρνος θερμαίνεται.
- Η λυχνία σβήνει αφού ολοκληρωθεί η διαδικασία θέρμανσης. Τότε επιλέξτε την επιθυμητή λειτουργία για το μαγείρεμα του φαγητού σας.

Πίνακας χρόνων μαγειρέματος



Οι χρόνοι στον πίνακα αυτόν έχουν μόνο ενδεικτικό σκοπό. Οι χρόνοι μπορεί να διαφέρουν λόγω της θερμοκρασίας, του πάχους και του τύπου των τροφίμων, καθώς και ανάλογα με τις μαγειρικές σας προτιμήσεις.

Ψήσιμο γλυκών και φαγητών



Η 1η υποδοχή του φούρνου είναι η κάτω υποδοχή.

Φαγητό	Αριθμός επιπέδου		Θέση στην υποδοχή	Θερμοκρασία (°C)	Χρόνος μαγειρέματος (σε λεπτά περ.)
**Κέικ τασιού	Ένα επίπεδο	☐	4	175	30 ... 35
**Κέικ φόρμας	Ένα επίπεδο	☐	2	175	40 ... 50
**Κέικ σε χαρτί μαγειρέματος	Ένα επίπεδο	☐	3	175	20 ... 30
**Παντεσπάνι	Ένα επίπεδο	☐	3	200	5 ... 10
**Μπισκόκια	Ένα επίπεδο	☐	3	175	20 ... 25
**Είδη ζύμης	Ένα επίπεδο	☐	2	200	30 ... 40
**Πλούσια ζύμη	Ένα επίπεδο	☐	2	200	25 ... 35
**Είδη με προζύμι	Ένα επίπεδο	☐	2	200	35 ... 45
**Λαζάνια	Ένα επίπεδο	☐	2-3	200	30 ... 40
**Πίτσα	Ένα επίπεδο	☐	2	200 ... 220	15 ... 20
Μπιρζόλα μοσχάρια (ολόκληρη) / Ψητό	Ένα επίπεδο	☒	3	25 λεπτ. 250/μέγ., κατόπιν 180 ... 190	100 ... 120
Αρνάκι μπουτί (γάστρας)	Ένα επίπεδο	☒	3	25 λεπτ. 220 κατόπιν 180 ... 190	70 ... 90
Ψητό κατόπουλο	Ένα επίπεδο	☒	2	15 λεπτ. 250/μέγ., κατόπιν 190	65 ... 70
Γαλοπούλα (5,5 κιλά)	Ένα επίπεδο	☒	2	25 λεπτ. 250/μέγ., κατόπιν 190	150 ... 210
Ψάρια	Ένα επίπεδο	☒	3	200	20 ... 30

(**) Για διαδικασίες μαγειρέματος όπου χρειάζεται προθέρμανση, προθερμάνετε το φούρνο στην αρχή της διαδικασίας έως ότου φθάσει στη ρυθμισμένη θερμοκρασία.

Πρακτικές συμβουλές για ψήσιμο κέικ

- Αν το κέικ είναι πολύ στεγνό, αυξήστε τη θερμοκρασία περίπου 10°C και μειώστε το χρόνο μαγειρέματος.
- Αν το κέικ είναι υγρό, χρησιμοποιήστε λιγότερο υγρό ή χαμηλώστε τη θερμοκρασία κατά 10°C.
- Αν το κέικ είναι πολύ σκούρο στο πάνω μέρος, τοποθετήστε το σε χαμηλότερο επίπεδο, χαμηλώστε τη θερμοκρασία και αυξήστε το χρόνο μαγειρέματος.
- Αν μαγειρεύτηκε καλά εσωτερικά αλλά κολλεί εξωτερικά, χρησιμοποιήστε λιγότερο υγρό, χαμηλώστε τη θερμοκρασία και αυξήστε το χρόνο μαγειρέματος.

Πρακτικές συμβουλές για ψήσιμο γλυκών ζύμης

- Αν το γλυκό ζύμης είναι πολύ στεγνό, αυξήστε τη θερμοκρασία περίπου 10°C και μειώστε το χρόνο μαγειρέματος. Υγράνετε τα φύλλα ζύμης με μίγμα από γάλα, λάδι, αυγό και γιαούρτι.
- Αν το γλυκό ζύμης χρειάζεται πολύ χρόνο για να ψηθεί, προσέξτε το πάχος του γλυκού ζύμης που έχετε παρασκευάσει δεν υπερβαίνει το βάθος του τασιού.
- Αν η πάνω πλευρά του γλυκού ζύμης ξεροψηθεί αλλά το κάτω μέρος δεν έχει μαγειρευτεί, βεβαιωθείτε ότι η ποσότητα σάλτσας που έχετε χρησιμοποιήσει για το γλυκό ζύμης δεν είναι πολύ μεγάλη στο κάτω μέρος του γλυκού. Προσπαθήστε να μοιράσετε

τη σάλτσα ομοιόμορφα ανάμεσα στις στρώσεις της ζύμης για ομοιόμορφο ξεροψήσιμο.



Μαγειρεύετε το γλυκό ζύμης σύμφωνα με τον τρόπο και τη θερμοκρασία που αναφέρονται στον πίνακα μαγειρέματος. Αν το κάτω μέρος εξακολουθεί να μην ψήνεται αρκετά, την επόμενη φορά τοποθετήστε το σε μια θέση χαμηλότερα στο φούρνο.

Πρακτικές συμβουλές για μαγείρεμα λαχανικών

- Αν τελειώσουν τα υγρά στο πιάτο λαχανικών και στεγνώσει πολύ, τότε μαγειρέψτε το σε σκευός με καπάκι αντί για ταψί. Τα κλειστά σκεύη διατηρούν τα υγρά του πιάτου.
- Αν ένα πιάτο λαχανικών δεν μαγειρεύεται, βράστε τα λαχανικά από πριν ή παρασκευάστε τα σαν φαγητό για συντήρηση σε βάζα και μετά τοποθετήστε τα στο φούρνο.

Τρόπος χρήσης του γκριλ



ΠΡΟΕΙΔΟΠΟΙΗΣΗ!

Κλείνετε την πόρτα του φούρνου όταν ψήνετε με γκριλ.

Οι καυτές επιφάνειες μπορούν να προκαλέσουν εγκαύματα!

Ενεργοποίηση του γκριλ

1. Γυρίστε το κουμπί λειτουργιών δεξιόστροφα στο επιθυμητό σύμβολο Γκριλ.
2. Κατόπιν επιλέξτε την επιθυμητή θερμοκρασία γκριλ.
3. Αν απαιτείται, προθερμάνετε για περίπου 5 λεπτά.

» Ανάβει η λυχνία θερμοκρασίας.

Απενεργοποίηση του γκριλ

1. Γυρίστε το κουμπί λειτουργιών στη θέση Off (Απενεργοποίηση) (πάνω).



Τα τρόφιμα που δεν είναι κατάλληλα για ψήσιμο στο γκριλ προκαλούν κίνδυνο πυρκαγιάς. Για ψήσιμο στο γκριλ χρησιμοποιείτε μόνο τρόφιμα που είναι κατάλληλα για την έντονη θέρμανση κατά το ψήσιμο σε γκριλ. Μην τοποθετείτε το φαγητό πολύ πίσω στο ράφι του γκριλ. Αυτό είναι το πιο ζεστό σημείο και ένα φαγητό με πολύ λίπος μπορεί να πιάσει φωτιά.

Πίνακας χρόνων μαγειρέματος για γκριλ

Ψήσιμο με ηλεκτρικό γκριλ

Τύπος τροφίμου	Θέση στην υποδοχή	Συνιστώμενη θερμοκρασία (°C)**	Χρόνος ψησίματος με γκριλ (περ.)
Ψάρι	4...5	250/max	20...25 ελάχ. #
Κοτόπουλο σε φέτες	4...5	250/max	25...35 ελάχ.
Αρνίσια παιδάκια γάλακτος	4...5	250/max	20...25 ελάχ.
Ροστ μπιφ	4...5	250/max	25...30 ελάχ. #
Μοσχαρίσια παιδάκια	4...5	250/max	25...30 ελάχ. #
Φρυγανισμένο ψωμί *	4	250/max	1...3 ελάχ.

ανάλογα με πάχος

* Προθερμάνετε για 5 λεπτά

** Αν η θερμοκρασία γκριλ του προϊόντος σας δεν είναι ρυθμιζόμενη, το γκριλ θα λειτουργεί στη μέγιστη θερμοκρασία.

7 Συντήρηση και φροντίδα

Γενικές πληροφορίες

Η διάρκεια ωφέλιμης ζωής του προϊόντος θα αυξηθεί και η συχνότητα των προβλημάτων θα μειωθεί αν το προϊόν καθαρίζεται σε κανονικά διαστήματα.



ΚΙΝΔΥΝΟΣ:

Αποσυνδέστε τη συσκευή από την τροφοδοσία ρεύματος δικτύου πριν ξεκινήσετε εργασίες συντήρησης και καθαρισμού.
Υπάρχει κίνδυνος ηλεκτροπληξίας!



ΚΙΝΔΥΝΟΣ:

Αφήνετε τη μονάδα να κρυώσει πριν την καθαρίσετε.
Οι καυτές επιφάνειες μπορούν να προκαλέσουν εγκαύματα!

- Καθαρίζετε το προϊόν σχολαστικά μετά από κάθε χρήση. Με τον τρόπο αυτό θα είναι πιο εύκολη η απομάκρυνση καταλοίπων μαγειρέματος, αποφεύγοντας να καούν την επόμενη φορά που θα χρησιμοποιηθεί η συσκευή.
- Δεν απαιτούνται ειδικά καθαριστικά προϊόντα για τον καθαρισμό του προϊόντος. Για να καθαρίσετε το προϊόν χρησιμοποιήστε χλιαρό νερό με υγρό πλυσίματος, ένα μαλακό πανί ή σφουγγάρι και σκουπίστε το με ένα στεγνό πανί.
- Πάντα εξασφαλίζετε ότι σκουπίζετε σχολαστικά όλα τα πλεονάζοντα υγρά μετά τον καθαρισμό και ότι σκουπίζετε άμεσα κάθε υγρό που τυχόν χυθεί.
- Μη χρησιμοποιείτε καθαριστικά προϊόντα που περιέχουν οξύ ή χλωρίνη για να καθαρίσετε τις ανοξειδωτές επιφάνειες και τη λαβή. Χρησιμοποιήστε ένα μαλακό πανί με υγρό απορρυπαντικό (που δεν χαράζει) για να καθαρίσετε αυτά τα μέρη σκουπίζοντάς τα, αλλά προσέξτε να σκουπίζετε προς μία κατεύθυνση.



Η επιφάνεια μπορεί να υποστεί ζημιά από ορισμένα απορρυπαντικά ή καθαριστικά υλικά.

Μη χρησιμοποιείτε για τον καθαρισμό σκληρά απορρυπαντικά, σκόνες/κρέμες καθαρισμού ή οποιαδήποτε αιχμηρά αντικείμενα.



Μη χρησιμοποιείτε ατμοκαθαριστές για τον καθαρισμό του προϊόντος γιατί μπορεί έτσι να προκληθεί ηλεκτροπληξία.

Καθαρισμός της πλάκας εστιών

Υαλοκεραμικές επιφάνειες

Σκουπίστε την υαλοκεραμική επιφάνεια χρησιμοποιώντας ένα πανί που έχει υγρανθεί ελαφρά με κρύο νερό ώστε να μην μείνει πάνω της καθαριστικό προϊόν. Στεγνώστε με ένα μαλακό και στεγνό πανί. Τα κατάλοιπα μπορούν να προκαλέσουν ζημιά στην υαλοκεραμική επιφάνεια την επόμενη φορά που θα χρησιμοποιηθεί η πλάκα εστιών.

Δεν πρέπει σε καμία περίπτωση να ξύσετε τα κατάλοιπα που έχουν ξεραθεί πάνω στην υαλοκεραμική επιφάνεια με κυρτές λεπίδες, σύρμα τριψίματος ή παρόμοια μέσα.

Αφαιρέστε τις κηλίδες αλάτων ασβεστίου (κίτρινες κηλίδες) με μικρή ποσότητα μέσου αφαίρεσης αλάτων ασβεστίου, όπως ξύδι ή χυμό λεμονιού. Μπορείτε επίσης να χρησιμοποιήσετε κατάλληλα εμπορικά διαθέσιμα προϊόντα.

Αν η επιφάνεια είναι έντονα λερωμένη, απλώστε το καθαριστικό σε ένα σφουγγάρι και περιμένετε έως ότου απορροφηθεί καλά. Κατόπιν καθαρίστε την επιφάνεια της πλάκας εστιών με ένα ελαφρά υγρό πανί.



Τα φαγητά με βάση τη ζάχαρη, όπως κρέμα και σιρόπι, πρέπει να καθαρίζονται άμεσα, χωρίς να περιμένετε να κρυώσει η επιφάνεια. Αλλιώς, η υαλοκεραμική επιφάνεια μπορεί να υποστεί μόνιμη ζημιά.

Με τον καιρό μπορεί να παρατηρηθεί ελαφρό ξεθώριασμα σε επιστρώσεις ή σε άλλα είδη επιφανειών. Αυτό δεν θα επηρεάσει τη λειτουργία του προϊόντος.

Το ξεθώριασμα των χρωμάτων και οι λεκέδες στην υαλοκεραμική επιφάνεια είναι μια κανονική κατάσταση και όχι βλάβη.

Καθαρισμός του πίνακα ελέγχου

Καθαρίζετε τον πίνακα ελέγχου και τα περιστροφικά κουμπιά με ένα υγρό πανί και στεγνώνετε με σκούπισμα.



Αν το προϊόν σας διαθέτει κουμπιά/περιστροφικά κουμπιά ελέγχου, μην τα αφαιρείτε για να καθαρίσετε τον πίνακα ελέγχου.

Ο πίνακας ελέγχου μπορεί να υποστεί ζημιά!

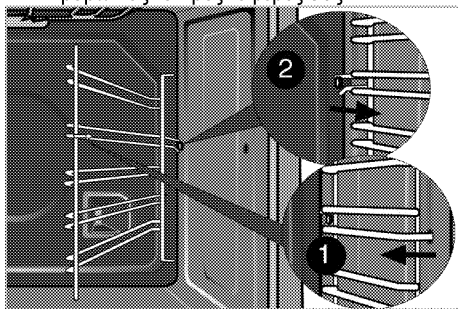
Καθαρισμός του φούρνου

Για να καθαρίσετε το πλευρικό τοίχωμα(Διαφέρει ανάλογα με το μοντέλο του προϊόντος.)

(Αυτό το χαρακτηριστικό είναι προαιρετικό.

Ενδέχεται να μην υπάρχει στο δικό σας προϊόν.)

1. Αφαιρέστε το μπροστινό τμήμα του πλευρικού πλαισίου τραβώντας το σε διεύθυνση αντίθετη από του τοιχώματος.
2. Αφαιρέστε το πλευρικό πλαίσιο πλήρως τραβώντας το προς το μέρος σας.

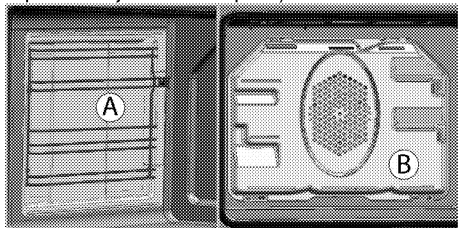


Καταλυτικά τοιχώματα

(Αυτό το χαρακτηριστικό είναι προαιρετικό.

Ενδέχεται να μην υπάρχει στο δικό σας προϊόν.)

Τα εσωτερικά πλευρικά τοιχώματα (A) και/ή το πίσω τοίχωμα (B) του προϊόντος μπορεί να είναι καλυμμένο με καταλυτικό σμάλτο. Τα καταλυτικά τοιχώματα έχουν ελαφρώς ματ χρώμα και πορώδη επιφάνεια. Τα καταλυτικά τοιχώματα του φούρνου δεν πρέπει να καθαρίζονται. Οι πορώδεις επιφάνειες των καταλυτικών τοιχωμάτων είναι αυτοκαθαριζόμενες με μηχανισμούς απορρόφησης και μετατροπής των λαδιών που τις ρυπαίνουν (σε ατμό και διοξείδιο του άνθρακα).

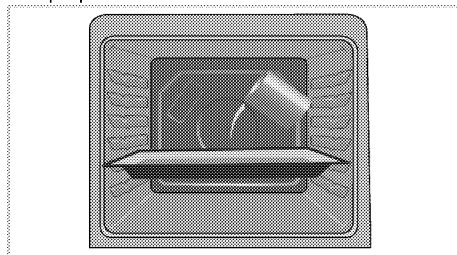


Εύκολος καθαρισμός με ατμό

Εξασφαλίζει εύκολο καθαρισμό επειδή οι ρύποι (που δεν έχουν παραμείνει για πολύ καιρό) μαλακώνουν

με τον ατμό που σχηματίζεται στο εσωτερικό του φούρνου και με τις σταγόνες νερού που συμπυκνώνονται πάνω στις εσωτερικές επιφάνειες του φούρνου.

1. Αφαιρέστε όλα τα αξεσουάρ μέσα από το φούρνο.
2. Ρίξτε 500 ml νερό στον δίσκο του φούρνου και τοποθετήστε τον δίσκο στη δεύτερη σχάρα του φούρνου.



3. Ρυθμίστε το φούρνο στους εύκολη λειτουργία καθαρισμού με ατμό και να τρέξει στους 100 ° C για 25 λεπτά.
4. Ανοίξε την πόρτα και σκουπίστε τις εσωτερικές επιφάνειες του φούρνου με ένα ελαφρά υγρό σφουγγάρι ή πανί.
5. Για να καθαρίσετε τους επίμονους ρύπους, χρησιμοποιήστε χλιαρό νερό με υγρό πλυσίματος, ένα μαλακό πανί ή σφουγγάρι και σκουπίστε με ένα στεγνό πανί.

Καθαρίστε την πόρτα του φούρνου.

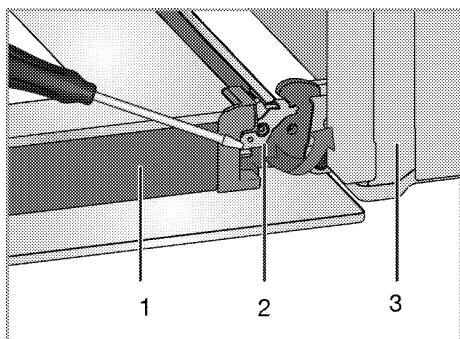
Για να καθαρίσετε την πόρτα του φούρνου, χρησιμοποιήστε χλιαρό νερό με υγρό πλυσίματος, ένα μαλακό πανί ή σφουγγάρι για να καθαρίσετε το προϊόν και σκουπίστε το με ένα στεγνό πανί.



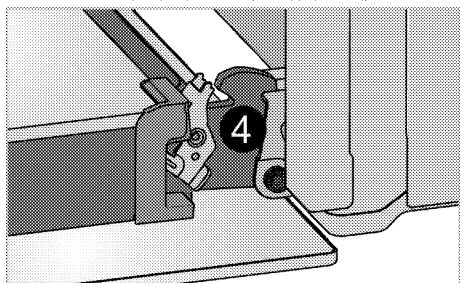
Μη χρησιμοποιείτε σκληρά καθαριστικά προϊόντα που χαράζουν ή αιχμηρές μεταλλικές ξύστρες για τον καθαρισμό της πόρτας του φούρνου. Αυτά τα είδη μπορούν να χαράξουν την επιφάνεια και να καταστρέψουν το γυαλί.

Αφαίρεση της πόρτας του φούρνου

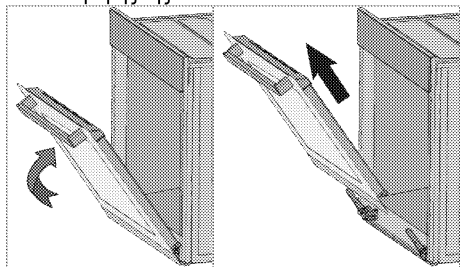
1. Ανοίξε τη μπροστινή πόρτα (1).
2. Ανοίξε τα κλιπ στο περίβλημα των μεντεσέδων (2) στη δεξιά και στην αριστερή πλευρά της μπροστινής πόρτας πιέζοντάς τα προς τα κάτω όπως δείχνει η εικόνα.



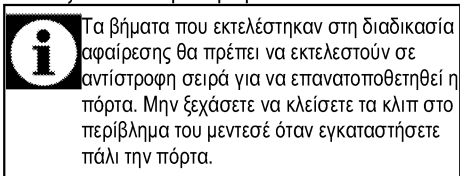
- 1 Πόρτα
- 2 Μπλοκάρισμα μεντεσέ(κλειστή θέση)
- 3 Φούρνος
- 4 Μπλοκάρισμα μεντεσέ(ανοιχτή θέση)



3. Μετακινήστε τη μπροστινή πόρτα ως το μέσο διαδρομής της.



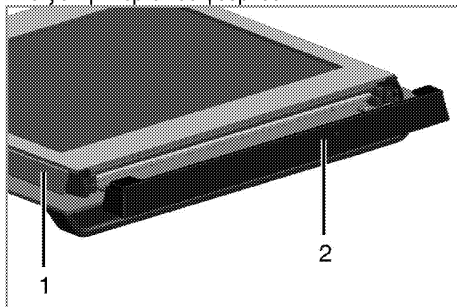
4. Αφαιρέστε τη μπροστινή πόρτα τραβώντας την προς τα πάνω για να την ελευθερώσετε από το δεξιά και τον αριστερό μεντεσέ.



Τα βήματα που εκτελέστηκαν στη διαδικασία αφαίρεσης θα πρέπει να εκτελεστούν σε αντίστροφη σειρά για να επανατοποθετηθεί η πόρτα. Μην ξεχάσετε να κλείσετε τα κλιπ στο περιβλήμα του μεντεσέ όταν εγκαταστήσετε πάλι την πόρτα.

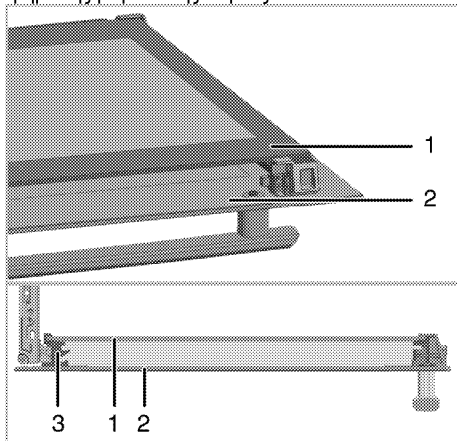
Αφαίρεση του εσωτερικού τζαμιού πόρτας

(Αυτό το χαρακτηριστικό είναι προαιρετικό. Ενδέχεται να μην υπάρχει στο δικό σας προϊόν.) Το εσωτερικό τζάμι της πόρτας του φούρνου μπορεί να αφαιρεθεί για να καθαριστεί. Ανοίξτε την πόρτα του φούρνου.



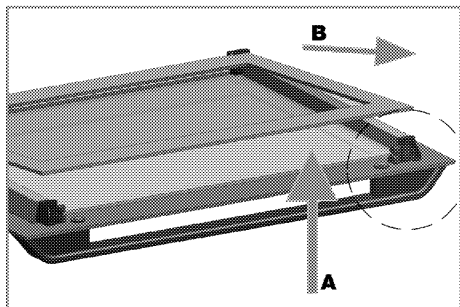
- 1 Πλαίσιο
- 2 Πλαστικό εξάρτημα

Τραβήξτε προς το μέρος σας και αφαιρέστε το πλαστικό εξάρτημα που είναι στερεωμένο στο πάνω τμήμα της μπροστινής πόρτας.



- 1 Εσωτερικό τζάμι
- 2 Εξωτερικό τζάμι
- 3 Πλαστική υποδοχή τζαμιού-Κάτω

Όπως δείχνει η εικόνα, ανυψώστε το πιο εσωτερικό τζάμι (1) ελαφρά στην κατεύθυνση **A** και τραβήξτε το έξω στην κατεύθυνση **B**.



Όταν τοποθετείτε το εσωτερικό τζάμι (1), βεβαιωθείτε ότι η τυπωμένη πλευρά του τζαμιού αντικρίζει το εσωτερικό τζάμι.

Είναι σημαντικό η κάτω γωνία του εσωτερικού τζαμιού να εδράζει μέσα στην κάτω πλαστική υποδοχή.

Σπρώξτε το πλαστικό εξάρτημα προς το πλαίσιο έως ότου ακουστεί ο ήχος "κλικ".

Αντικατάσταση του λαμπτήρα του φούρνου



ΚΙΝΔΥΝΟΣ:

Πριν αντικαταστήσετε τη λάμπα του φούρνου, βεβαιωθείτε ότι η συσκευή έχει αποσυνδεθεί από το ρεύμα δικτύου και έχει κρυώσει, για να αποφύγετε τον κίνδυνο ηλεκτροπληξίας.

Οι καυτές επιφάνειες μπορούν να προκαλέσουν εγκαύματα!



Το φως του φούρνου περιέχει ειδικό λαμπτήρα ανθεκτικό σε θερμοκρασίες έως 300 °C. Βλ. *Τεχνικές προδιαγραφές, σελίδα 14* για λεπτομέρειες. Μπορείτε να αποκτήσετε λαμπτήρες για το φως φούρνου από αδειοδοτημένο σέρβις.



Η θέση του φωτιστικού μπορεί να διαφέρει από του σχήματος.



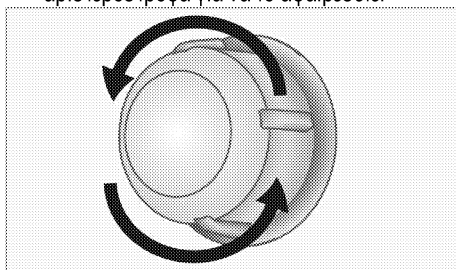
Η λάμπα που χρησιμοποιείται σε αυτή τη συσκευή δεν είναι κατάλληλη για φωτισμό οικιακών χώρων. Η προβλεπόμενη χρήση αυτής της λάμπας είναι να βοηθά το χρήστη να βλέπει τα τρόφιμα.



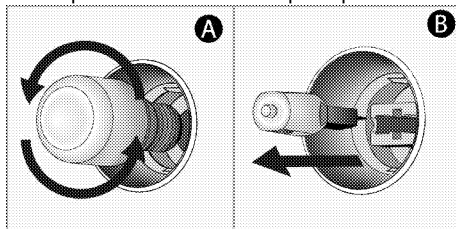
Οι λάμπες που χρησιμοποιούνται σε αυτή τη συσκευή πρέπει να είναι ανθεκτικές σε ακραίες φυσικές συνθήκες όπως θερμοκρασίες πάνω από 50 °C.

Αν ο φούρνος σας είναι εξοπλισμένος με στρογγυλό φωτιστικό:

1. Αποσυνδέστε τη συσκευή από το δίκτυο ρεύματος.
2. Περιστρέψτε το γυάλινο κάλυμμα αριστερόστροφα για να το αφαιρέσετε.



3. Αν η λυχνία του φούρνου σας είναι τύπου (A) όπως στην εικόνα παρακάτω, αφαιρέστε τη περιστρέφοντάς τη όπως φαίνεται στην εικόνα και αντικαταστήστε τη. Αν είναι τύπου (B), τραβήξτε τη και αφαιρέστε τη όπως φαίνεται στην εικόνα και αντικαταστήστε τη.



4. Τοποθετήστε το γυάλινο κάλυμμα.

8 Αντιμετώπιση προβλημάτων

Ο φούρνος αναδίδει ατμό όταν χρησιμοποιείται.

- Είναι φυσιολογικό να διαφεύγει ατμός κατά την διάρκεια της λειτουργίας. >>> Αυτό δεν είναι βλάβη.

Το προϊόν εκπέμπει μεταλλικούς θορύβους κατά τη θέρμανση και ψύξη.

- Όταν τα μεταλλικά μέρη θερμανθούν, μπορεί να διασταλούν και να προκαλέσουν θόρυβο. >>> Αυτό δεν είναι βλάβη.

Το προϊόν δεν λειτουργεί.

- Η ασφάλεια ρεύματος δικτύου είναι καμένη ή απενεργοποιημένη. >>> Ελέγξτε τις ασφάλειες στο κουτί ασφαλειών. Εάν είναι απαραίτητο, αντικαταστήστε ή επανενεργοποιήστε τις.
- Το προϊόν δεν έχει συνδεθεί στη (γειωμένη) πρίζα. >>> Ελέγξτε την σύνδεση του φως.

Το φως του φούρνου δεν λειτουργεί.

- Ελαττωματικός λαμπτήρας. >>> Αντικαταστήστε το λαμπτήρα.
- Έχει διακοπεί το ρεύμα. >>> Ελέγξτε αν υπάρχει ρεύμα. Ελέγξτε τις ασφάλειες στο κουτί ασφαλειών. Αν χρειάζεται, αντικαταστήστε ή επανενεργοποιήστε τις ασφάλειες.

Ο φούρνος δεν θερμαίνεται.

- Δεν έχει ρυθμιστεί η λειτουργία και/ή η θερμοκρασία. >>> Ρυθμίστε τη λειτουργία και τη θερμοκρασία με το πλήκτρο/κουμπί λειτουργιών και/ή Θερμ. °C.
- Έχει διακοπεί το ρεύμα. >>> Ελέγξτε αν υπάρχει ρεύμα. Ελέγξτε τις ασφάλειες στο κουτί ασφαλειών. Αν χρειάζεται, αντικαταστήστε ή επανενεργοποιήστε τις ασφάλειες.



Αν παρά την εφαρμογή των οδηγιών της ενότητας αυτής, δεν μπορείτε να αποκαταστήσετε το πρόβλημα, τότε συμβουλευτείτε τον αδειοδοτημένο αντιπρόσωπο σέρβις ή το κατάστημα όπου αγοράσατε το προϊόν. Σε καμία περίπτωση μην επιχειρήσετε να επισκευάσετε μόνοι σας ένα προϊόν που παρουσιάζει βλάβη.

