

LUCCI
AIRFUSION CLIMATE III
DC CEILING FAN

- **INSTALLATION**
- **OPERATION**
- **MAINTENANCE**
- **WARRANTY INFORMATION**

CAUTION
READ INSTRUCTIONS CAREFULLY FOR SAFE
INSTALLATION AND FAN OPERATION.

CONTENTS

GB	Installation instruction manual	2
D	Installationsanleitung	14
F	Guide d'installation.....	27
E	Manual de instrucciones de instalación.....	40
I	Manuale delle istruzioni di installazione.....	52
NL	Installatiehandleiding.....	64
EL	Εγχειρίδιο οδηγιών εγκατάστασης	76

Contact:

Beacon International Ltd

Hong Kong Head Office: Room 05, 18/F, Kimberland Center, 55 Wing Hong Street, Cheung Sha Wan Kowloon, Hong Kong

Tel +852 34915904 Fax +852 34915917

China showroom / Office: 11/FI, Guzhen Lighting Building B, Mid Zhongxing Road, Guzhen, Zhongshan, Guangdong, China.

Tel: +86 760 8986 6388 Fax: +86 760 8986 6380

info@beaconinternational.com

www.beaconinternational.com

Beacon Lighting Europe GmbH

Campus Fichtenhain 42, 47807 Krefeld, Germany

TEL +49 (2151) 325 82 39 FAX +49 (2151) 325 70 65

sales@beaconlighting.eu

www.beaconlighting.eu



GB

THANK YOU FOR PURCHASING

Thank you for purchasing the latest in energy saving ceiling fans. This fan runs on DC (direct current) power which gives it the benefit of being super energy efficient whilst still maintaining high volume air-movement and silent operation.

Energy saving - The DC motor is the latest technology in fan design. Its highly efficient motor saves up to 65% more energy than ceiling fans with traditional AC motors.

Silent operation – This DC fan motor is programmed with a stabilized current which efficiently reduces motor noise.

Low operating temperature – The DC power is managed effectively which brings down the motor operating temperature to less than 50°C. This results in a much cooler motor than a standard AC fan and increases the longevity of the motor.

6 speed remote control - Regular AC ceiling fans usually come with only 3 speeds, this DC fan comes complete with a 6 speed remote, which gives a greater choice of comfort levels.

SAFETY PRECAUTIONS

1. In Europe: This appliance can be used by children aged from 8 years and above and persons with reduced physical, sensory or mental capabilities or lack of experience and knowledge if they have been given supervision or instruction concerning the use of the appliance in a safe way and understand the hazards involved. Cleaning and maintenance shall not be undertaken by children without supervision.
2. In Australia: The appliance is not intended for use by persons (including children) with reduced physical, sensory or mental capabilities, or lack of experience and knowledge, unless they have been given supervision or instruction concerning the use of the appliance by a person responsible for their safety.
3. Children should be supervised to ensure that they do not play with the appliance.
4. An all-pole disconnection switch must be incorporated into the fixed wiring, in accordance with local wiring rules.

IN AUSTRALIA**WARNING:**

**FOR SAFE USE OF THIS FAN AN ALL-POLE DISCONNECTION
MUST BE INCORPORATED INTO THE FIXED WIRING IN
ACCORDANCE WITH THE WIRING RULES.**

As outline in clause 7.12.2 of AS/NZS 60335-1 for meeting the minimum electrical safety of this standard.




Please note warranty will be void if installation is without a means for an all-pole disconnection incorporated in the fixed wiring in accordance with the wiring rules.

Example: If a fan is connected to a circuit that can be isolated via an all-pole safety switch at the switchboard, then this is considered to be an all-pole disconnection to the ceiling fan electrical circuit, meeting the requirements of clause 7.12.2 of AS/NZS 60335.1.

A single-pole switch on the active of the receiver input of remote control must also be included in the wiring, and located the same room as the ceiling fan.



5.  Do not dispose of electrical appliances as unsorted municipal waste, use separate collection facilities. Contact your local government for information regarding the collection systems available. If electrical appliances are disposed of in landfills or dumps, hazardous substances can leak into the ground water and get into the food chain, damaging your health and well-being.
6. The structure to which the fan is to be mounted must be capable of supporting a weight of 16kg.
7. The fan should be mounted so that the blades are at least 2.3 m above the floor in Europe or 2.1 m above the floor in Australia.
8. This fan is suitable for indoor use only. Mounting the fan in a location where it is subject to water or moisture is dangerous and may increase the risk of damage, injury or electrical shock and will void the warranty.
9. Must be assembled and installed by a licensed electrician.
10. WARNING: If unusual wobbling or oscillating movement is observed, immediately stop using the ceiling fan and contact the manufacturer, its service agent or suitably qualified persons.
11. The replacement of parts of the safety suspension system device shall be performed by the manufacturer, its service agent or suitably qualified persons.
12. The fixing means for attachment to the ceiling such as hooks or other devices shall be fixed with a sufficient strength to withstand 4 times the weight of the ceiling fan; that the mounting of the suspension system shall be performed by the manufacturer, its service agent or suitably qualified persons.



PARTS LIST

- Unpack your ceiling fan carefully. Remove all parts and hardware.
- Lay out all the components on a smooth surface and make sure there are no components missing before assembling. If parts are missing, return the complete product to the place of purchase for inspection or replacement.
- Check whether the ceiling fan has been damaged during transport. Do not operate/install any product which appears damaged in any way. Return the complete product to the place of purchase for inspection, repair or replacement.
- Examine all parts, you should have the following:

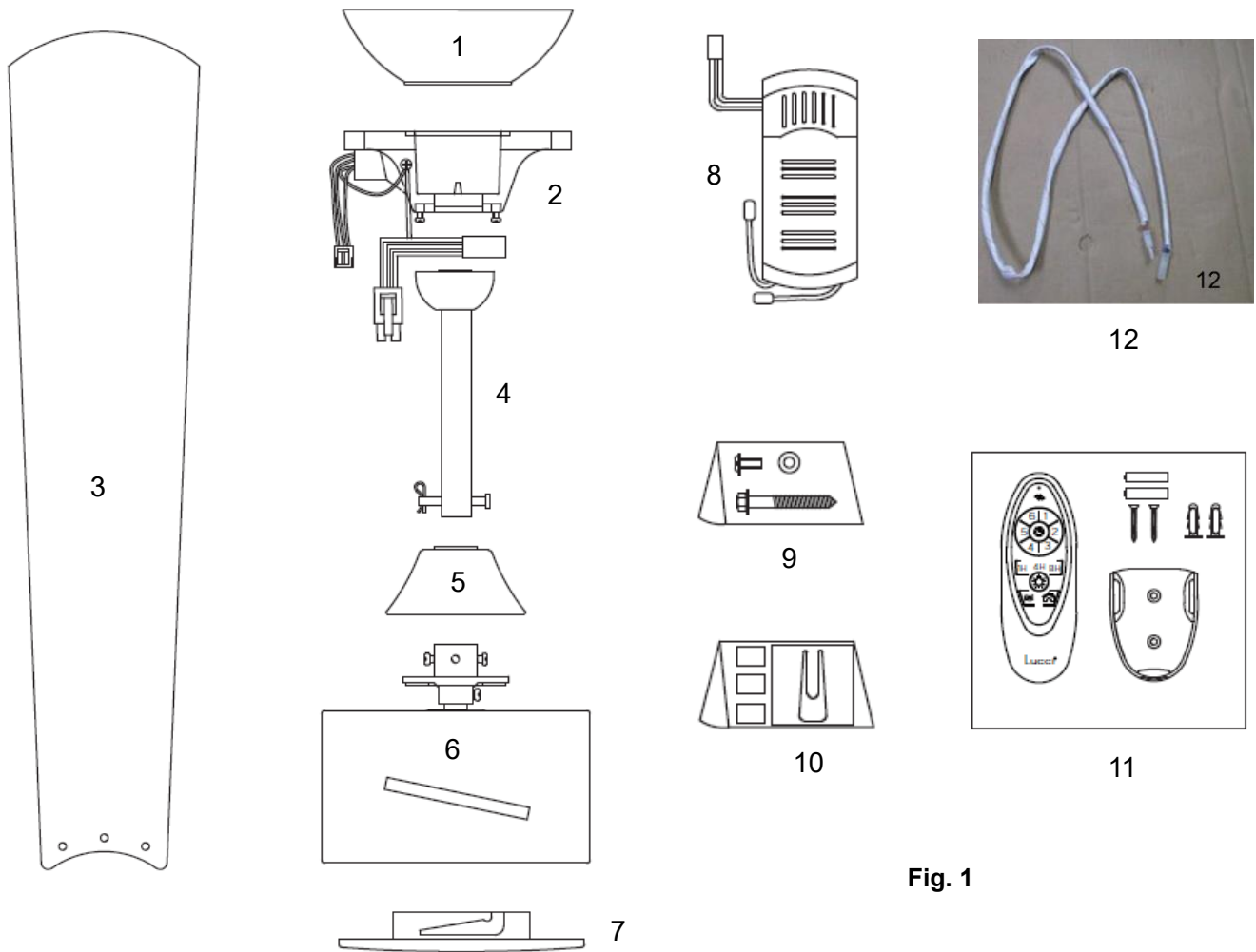


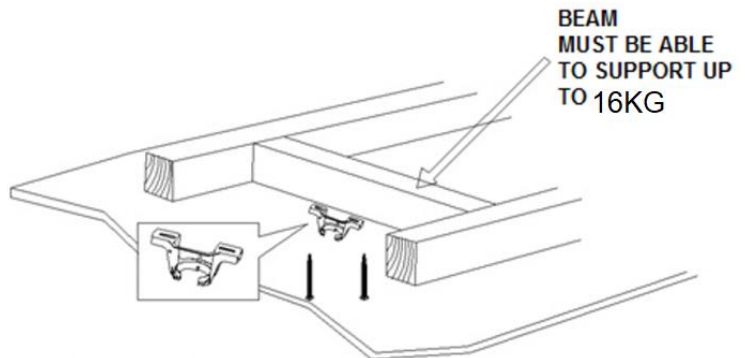
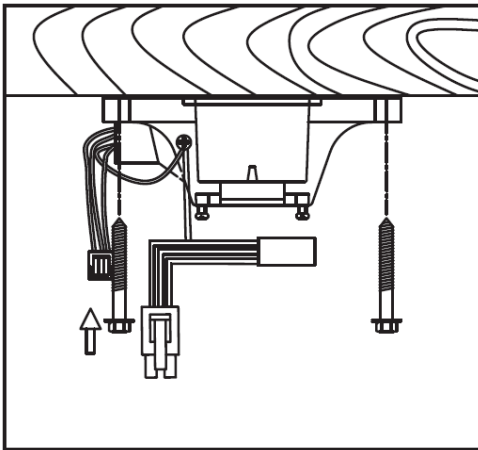
Fig. 1

- | | |
|--|--|
| 1 Canopy x 1 | 7 Bottom cover x 1 |
| 2 Mounting bracket x 1 | 8 Remote receiver x 1 |
| 3 Blades x 3 | 9 Screws for mounting bracket & blades x 1 set |
| 4 Down rod x 1 set | 10 Balancing kit x 1 set |
| 5 Decorative Cover x 1 | 11 Remote control set x 1 |
| 6 Fan motor & Downrod coupling housing x 1 | 12 Light kit extension cable |



INSTALLATION OF THE MOUNTING BRACKET

- The ceiling fan must be installed in a location so that the blades are spaced 300mm from the tip of the blade to the nearest objects or walls.
- Install the hanging bracket to the ceiling joist or structure that is capable of carrying a load of at least 16kg, with two long screws provided. Ensure at least 30mm of the screw is threaded into the support. (Fig. 2)



NOTE: THIS PICTURE IS FOR REPRESENTATION ONLY AND DOES NOT REPRESENT THE ACTUAL BRACKET.

Fig. 2

NOTE: The bracket screws provided are for use with wooden structures only. For structures other than wood, the appropriate screw type **MUST** be used. Ensure the screws used are suitable for the mounting surface and the surrounding environment.

ANGLED CEILING INSTALLATION

This fan hanging system supports a maximum 10 degree angled ceiling installation. (Fig. 3)

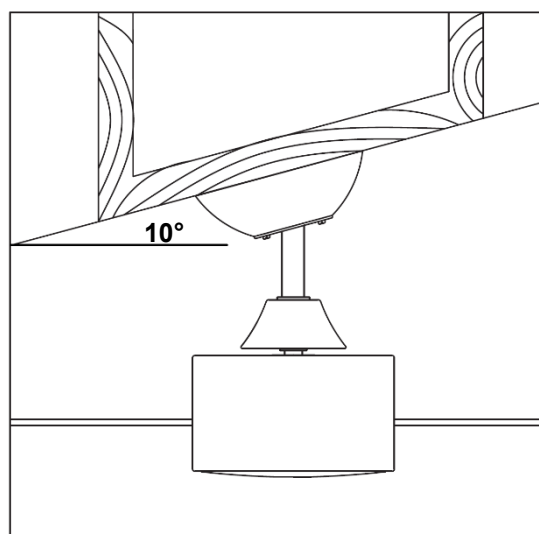


Fig. 3



INSTALLATION OF THE FAN

INSTALLATION OF THE DOWN ROD (Fig.4)

1. Remove the ball joint and dowel pin by loosening the set screw. Remove the lock pin by removing the hitch pin. Do not discard keep these parts, they are required to reassemble later.
2. Loosen the set screws on the down rod coupling housing of the fan motor assembly.
3. Carefully feed the fan wires up through the down rod. Install the down rod into the down rod coupling housing of the fan motor assembly. Line up the down rod coupling housing holes with the down rod holes and install the lock pin and the hitch pin.
4. Secure the down rod by tightening the set screws.

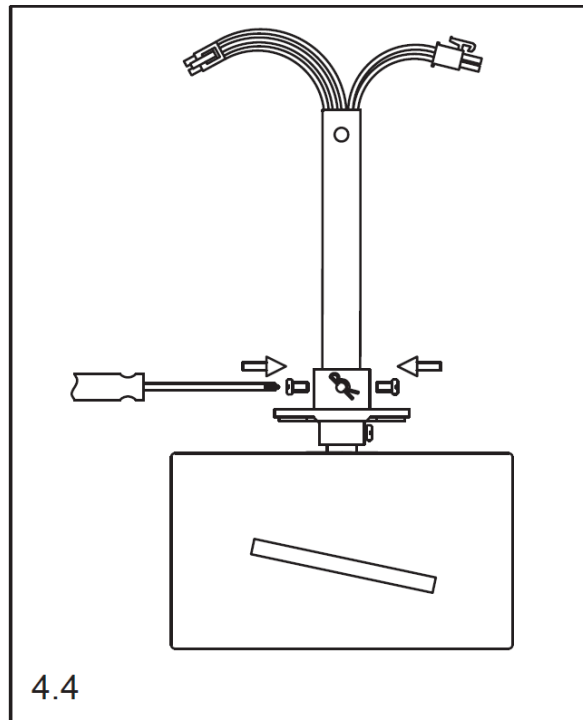
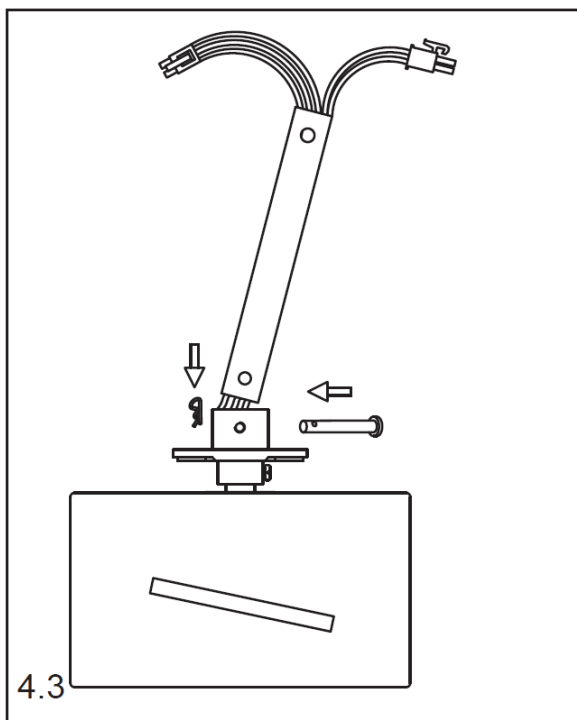
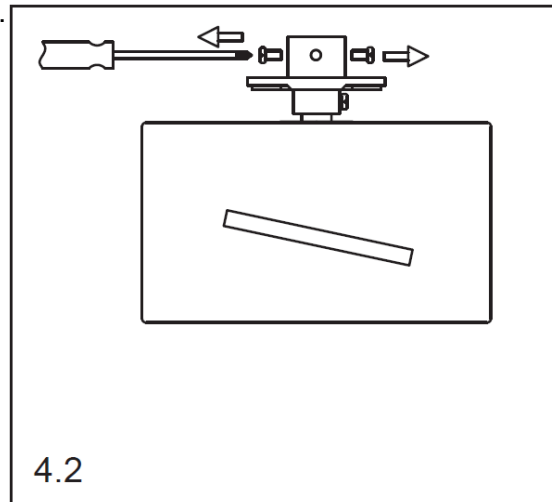
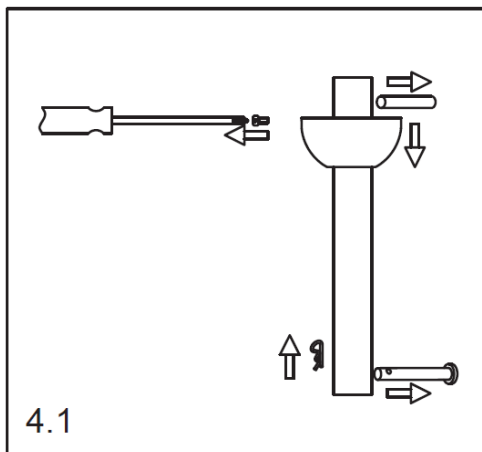


Fig. 4



INSTALLATION OF THE HANGER (Fig.5)

1. Install the decorative cover onto the down rod and cover the coupling parts. Carefully slide the canopy onto the down rod.
2. Reinstall the ball joint and dowel pin back to the down rod and secure by tightening the set screw.

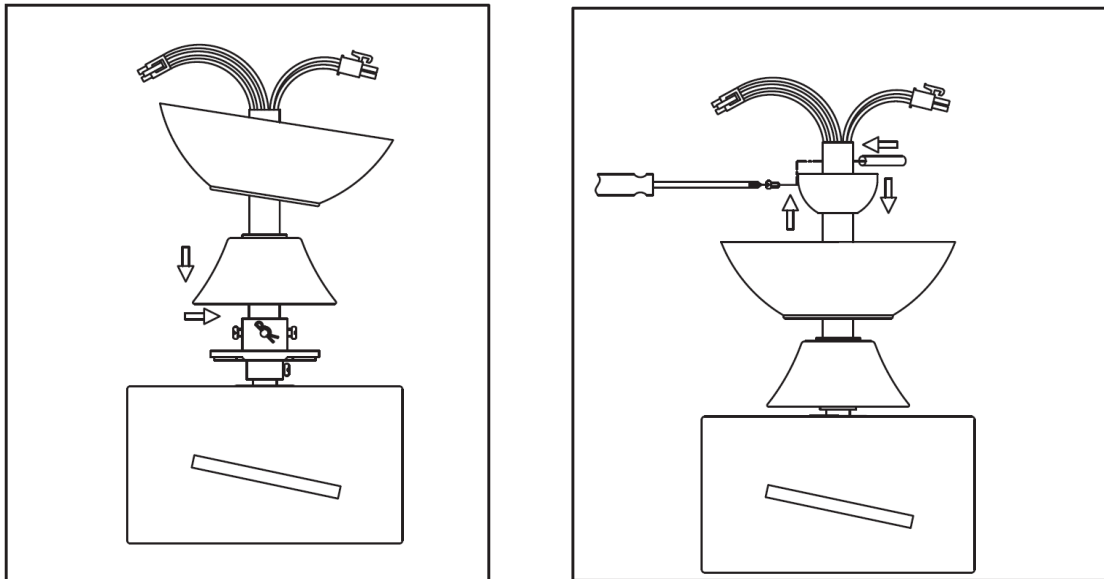


Fig. 5

INSTALLATION OF BLADE (Fig.6)

1. Insert the blade into the slot of rotating member of fan motor assembly.
2. Align and engage the holes of the blade to the blade bracket.
3. Secure the blade to the fan motor assembly by tightening the 3 blade screws and washers. Ensure all screws are tightened evenly to reduce the chance of warping or unbalancing. Take care not to over tighten the screws, as this can damage the blades
4. Repeat the same process for the other blades.

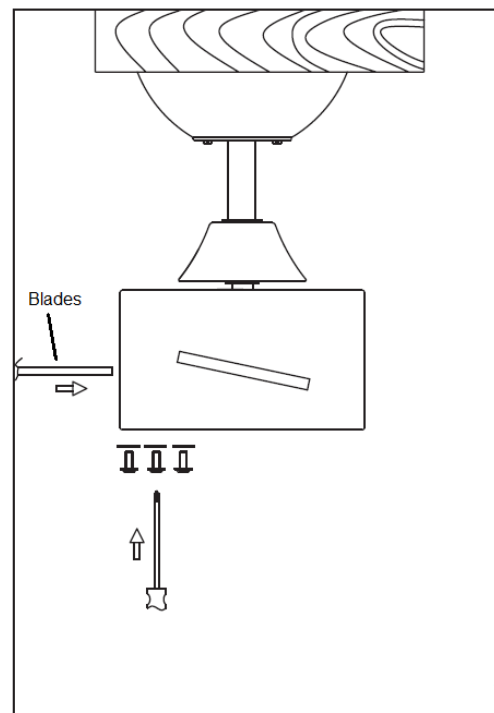


Fig. 6

INSTALLATION OF LIGHT KIT (Optional and sold separately) (Fig.7)

- **NOTE:** The light kit must be installed by a licensed electrician.
- The light kit is sold separately. (SKU# 210643, 210644, 210645).
- Connect the wires of the light kit to the motor part via the quick connector.
- Fix the light kit on the motor part then secure it by turning clockwise.
- Install the GX53 lamp to the light kit. Do not exceed the maximum power rating.

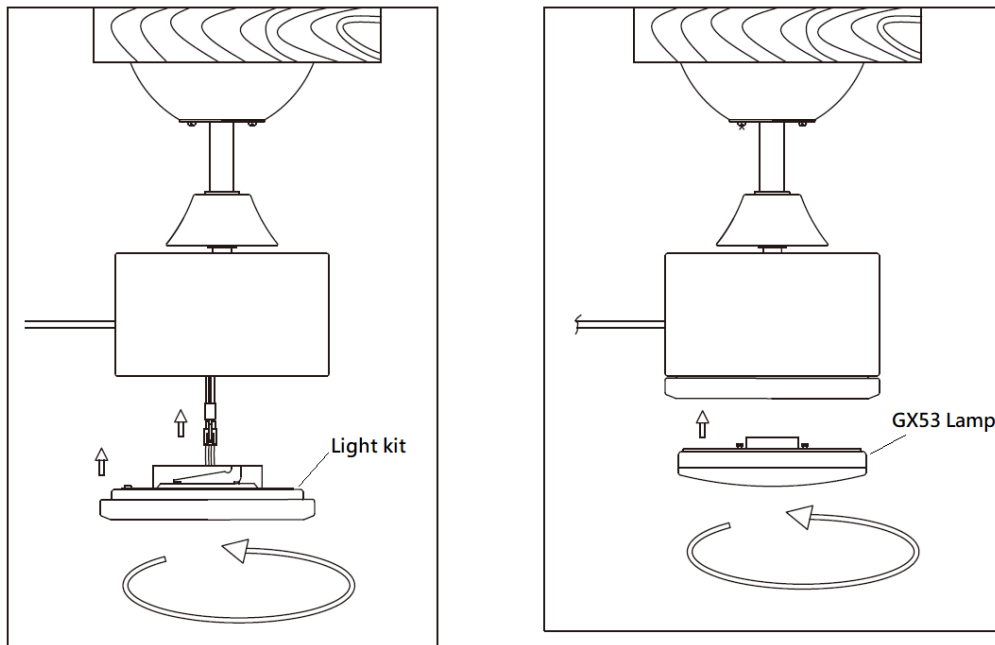


Fig. 7



PREPARE AND COMPLETE THE ELECTRICAL WIRING --- WIRING DIAGRAM (FIG. 8)

WARNING: FOR YOUR SAFETY ALL ELECTRICAL CONNECTIONS MUST BE UNDERTAKEN BY A LICENSED ELECTRICIAN.

NOTE: AN ADDITIONAL ALL POLE DISCONNECTION SWITCH MUST BE INCLUDED IN THE FIXED WIRING.

NOTE: IF THERE ARE TWO OR MORE DC CEILING FANS INSTALLED IN THE ONE LOCATION, AN ISOLATION SWITCH IS REQUIRED FOR EACH CEILING FAN. THIS IS REQUIRED WHEN PROGRAMMING THE REMOTE AND RECEIVER TO PAIR TOGETHER.

Ensure the motor earth wire is connected to the single earthing terminal block “1” in the diagram below. (Fig. 8)

1. Connect the live supply wire to the “L” terminal of the terminal block on the mounting bracket.
2. Connect the neutral supply wire to “N” terminal of the terminal block on the mounting bracket.
3. Connect earth wire to the earth terminal of the terminal block on the mounting bracket.
4. [Hang the complete fan assembly onto mounting bracket.](#) (“Hanging the fan” section & Fig. 9)
5. Connect the supply wiring from the mounting bracket to the input of the DC motor driver/receiver.
6. Connect the output wires of DC motor driver/receiver to the input wires of the fan motor and the light kit.

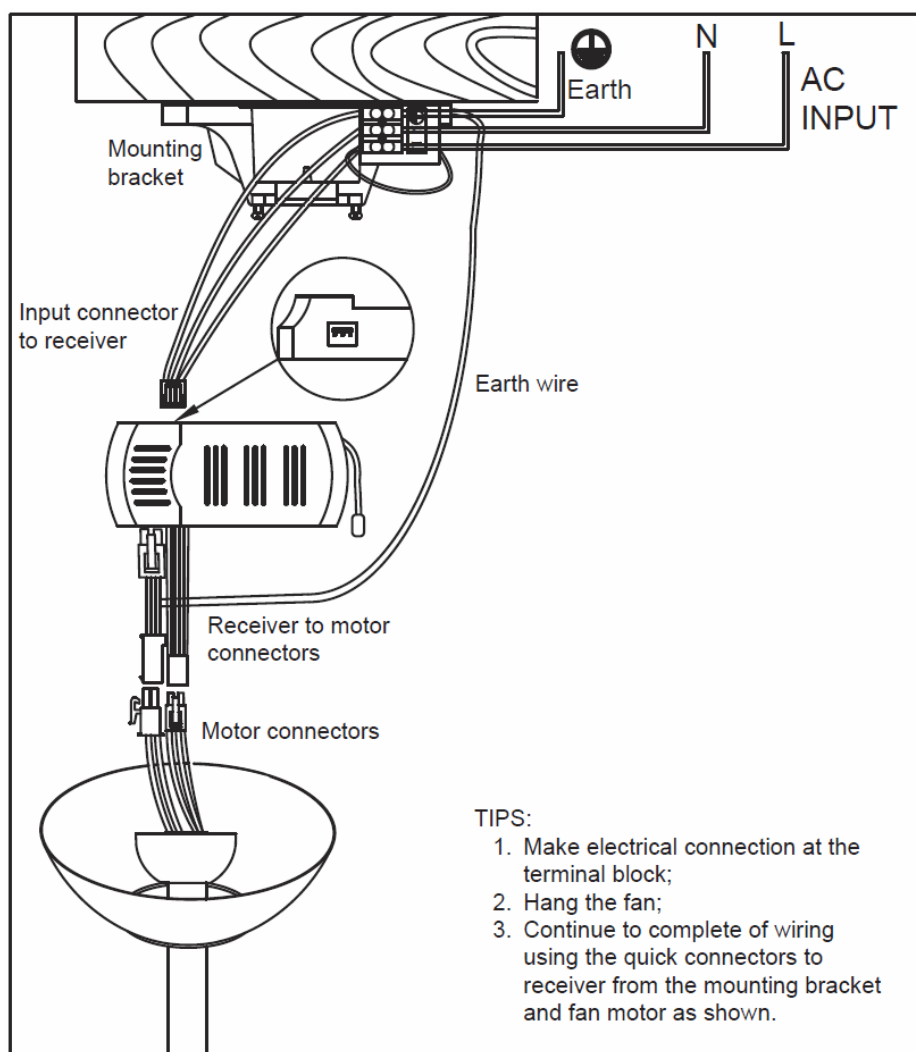


Fig. 8



HANGING THE FAN (Fig. 9)

Lift the fan assembly onto the mounting bracket. Ensure the key slot (A) of the hanger ball is positioned on the key pin (B) of the mounting bracket (C) to prevent the fan from rotating when in operation. (Fig.9)

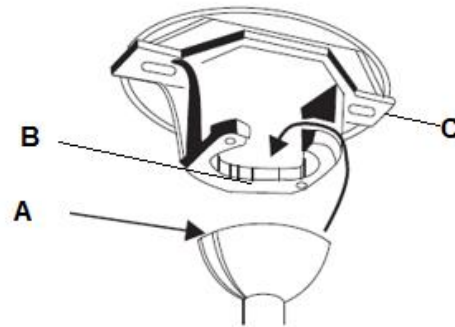


Fig. 9

FINISHING THE INSTALLATION

INSTALLATION OF THE CANOPY (Fig.10)

1. Ensure the earth wiring is secure and correct, by performing an earthing continuity test from the fan's accessible metal body back to the earth terminal at the terminal block on the mounting bracket.
2. Loosen the 2 screws at the bottom of the mounting bracket.
3. Slide the canopy up to the mounting bracket and align the key holes on the canopy with the screws on the mounting bracket. Turn the canopy until it locks into place with the narrow section of the key holes and secure it by tightening the two screws. Avoid damaging the electrical wiring prepared previously.

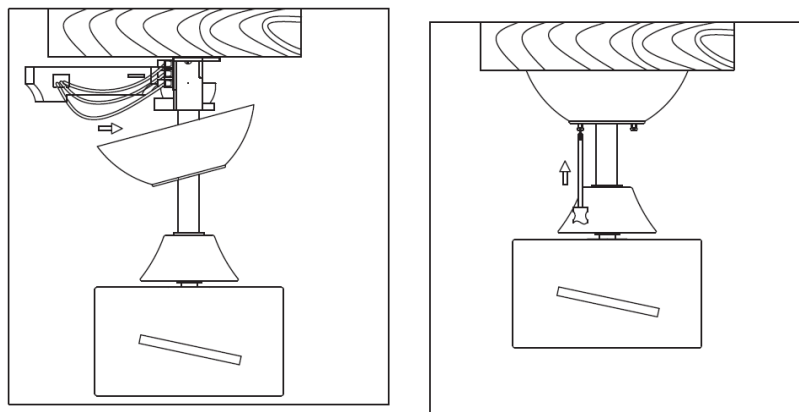


Fig. 10

INSTALLATION OF THE BOTTOM COVER (Fig.11)

1. Install the bottom cover to the motor part if no light kit is required.

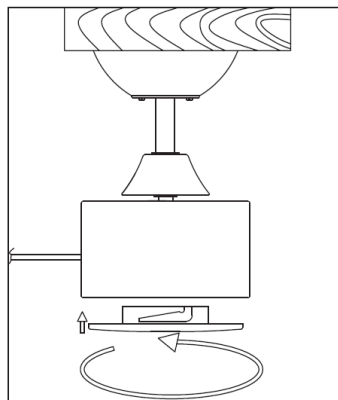


Fig. 11

USING YOUR CEILING FAN

REMOTE CONTROL (Fig.12)

1. Open the battery compartment cover by removing the securing screw and insert 2 x AAA battery. Note the correct battery polarity (+/-) when inserting the battery, and then replace the cover and secure with the screw.
2. Test the remote by pressing and hold any button. A red LED will be lit up at the top of the remote to indicate that there is power to the remote and it is ready for use to control the fan.
3. Follow the guide below to operate the fan and learn the functions.

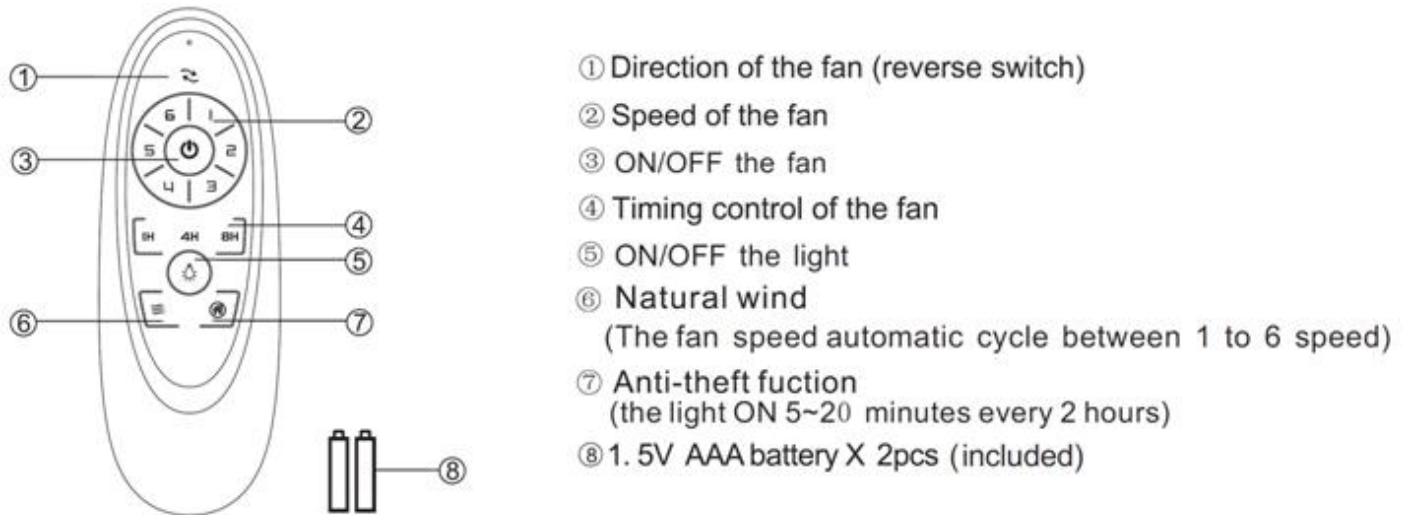


Fig. 12

REPAIRING THE FAN RECEIVER & REMOTE PAIRING

NOTE: The pairing of the remote and receiver has been done at the factory.

When the ceiling fan is installed, pairing the fan receiver and remote is NOT required.

Should the remote and receiver lose control after installation or during use, the pairing of the remote and the receiver must be repaired. Below are the operating symptoms and method to repair the pairing of the DC ceiling fan remote and receiver.

Issues:

- Loss of control - Fan is only running at high speed after installation
- Loss of control - No reverse function after installation
- Loss of control - Remote cannot communicate with the receiver

Solution:

- Switch off the main power of ceiling fan.
- Switch on the main power of the ceiling fan. Press and hold the On/Off button on the remote for 5 seconds within 30 seconds after switching on. There will be a notification 'beep' sound from the receiver to indicate that the paring process is successful.
- Turn on and select the different speed of the ceiling fan to check the operation of the fan.



AFTER INSTALLATION

NOTE: ceiling fans tend to move during operation due to the fact that they are mounted on a rubber grommet. If the fan was mounted rigidly to the ceiling it would cause excessive vibration. Movement of a few centimeters is quite acceptable and DOES NOT suggest any problem.

TO REDUCE THE FAN WOBBLE: Please check that all screws which fix the mounting bracket and down rod are secure.

BALANCING KIT: A balancing kit is provided to balance the ceiling fan on initial installation. Please refer to the instruction on how to use the balancing kit. The balancing kit can be used to assist re-balancing should the ceiling fan become un-balanced again. Store your balancing kit away after installation for future use if required.

NOISE:

When it is quiet (especially at night) you may hear occasional small noises. Slight power fluctuations and frequency signals superimposed in the electricity for off-peak hot water control, may cause a change in fan motor noise. This is normal. Please allow a 24-hour “settling-in” period, most noises associated with a new fan disappear during this time.

The manufacturer’s warranty covers actual faults that may develop and NOT minor complaints such as hearing the motor run – All electric motors are audible to some extent.

CARE & CLEANING

NOTE: Always turn OFF the power at the mains switch before performing any maintenance or attempting to clean your fan.

- Every 6 months periodic cleaning of your ceiling fan is the only maintenance required. Use a soft brush or lint free cloth to avoid scratching the paint finish. Please turn off electricity power when you do so.
- Do not soak or immerse your ceiling fan in the water or other liquids. It could damage the motor or the blades and create the possibility of an electrical shock.
- Ensure that the fan does not come in contact with any organic solvents or cleaners.
- To clean the fan blade, wipe with only a damp clean cloth with NO organic solvents or cleaners.
- The motor has a permanently lubricated ball bearing so there is no need to oil.



SAFETY PRECAUTIONS FOR BATTERY

- **WARNING** – Keep new and used batteries away from children.
- **CAUTION** – Do not ingest battery—Chemical burn hazard.
- Always use 2 x AAA battery type with this ceiling fan remote controller.
- Ensure the batteries are inserted with the correct polarity.
- To prevent false operation during battery insertion or replacement, this ceiling fan must be disconnected from the supply mains.
- Remove batteries from the product when not in use for long periods of time.
- Batteries must be removed from the remote transmitter before it is discarded.
- Dispose of exhausted batteries immediately and safely (so they cannot be retrieved by children). Batteries can still be dangerous. Contact your local council to safely dispose of the battery.
- Regularly check the product and make sure the battery box lid is correctly secured. If the battery compartment does not close securely, stop using the product and keep it away from children.
- If you think batteries might have been swallowed or placed inside any part of the body, seek immediate medical attention.
- **Battery Leaks:** Battery contains chemicals and should be treated as any chemical would. Take precautions when handling leaked battery chemicals. Battery chemicals should not be placed near the eyes or ingested.

TECHNICAL INFORMATION

Fan	52" DC fan
Fan Models / SKU#	LD-52"CL III / SKU# 210640, 210641, 210642
Rated Voltage	220-240V~ 50Hz
Rated Wattage (Motor)	35W
Rated wattage (Lamp)	GX53, Max.12W
Battery for remote	2 x AAA
Weight	3.9kg
Canopy Dimensions	H:50mm Dia:150mm

WARRANTY INFORMATION

IN AUSTRALIA / NEW ZEALAND – Please refer to the separated WARRANTY STATEMENT.

IN EUROPE – If you are a European customer please contact the retail outlet where the fan was purchased for warranty service.



D**VIELEN DANK FÜR IHREN KAUF**

Vielen Dank, dass Sie sich für einen der neuesten energiesparenden Deckenventilatoren entschieden haben. Dieser Ventilator läuft mit Gleichstrom. Dadurch ist er äußerst energieeffizient, während gleichzeitig die Luftbewegung mit hohem Volumen und der geräuscharme Betrieb erhalten bleiben.

Energieeinsparung – Der Gleichstrommotor ist die neueste Technologie im Ventilator-Design. Sein hocheffizienter Motor spart bis zu 65 % mehr Energie als Deckenventilatoren mit herkömmlichen Wechselstrommotoren.

Geräuscharmer Betrieb – Dieser Gleichstrom-Ventilator-Motor wurde mit stabilisiertem Strom programmiert, wodurch das Motorgeräusch effizient reduziert wird.

Niedrige Betriebstemperatur – Die Gleichstromleistung wird effektiv verwaltet, wodurch die Motorbetriebstemperatur auf weniger als 50 °C sinkt. Dies führt zu einem viel kühleren Motor als ein Standard-Wechselstromventilator und erhöht die Lebensdauer des Motors.

Fernbedienung mit 6 Stufen – Normale Wechselstrom-Deckenventilatoren haben normalerweise nur 3 Stufen, dieser Gleichstromventilator wird mit einer Fernbedienung mit 6 Stufen ausgeliefert, wodurch eine größere Auswahl an Komfortstufen vorhanden ist.

SICHERHEITSVORKEHRUNGEN

1. In Europa: Dieses Gerät kann von Kindern ab 8 Jahren sowie Personen mit eingeschränkten physischen, sensorischen oder geistigen Fähigkeiten oder Mangel an Erfahrung und Wissen im Umgang mit dem Gerät verwendet werden, wenn sie beaufsichtigt oder bezüglich des sicheren Gebrauchs unterwiesen wurden und die daraus resultierenden Gefahren verstanden haben. Die Reinigung und Wartung darf nicht durch Kinder ohne Aufsicht erfolgen.
2. In Australien: Das Gerät ist nicht dafür bestimmt, von Personen (einschließlich Kindern) mit eingeschränkten physischen, sensorischen oder geistigen Fähigkeiten oder mangelnder Erfahrung und/oder mangelndem Wissen benutzt zu werden, es sei denn, sie werden durch eine für ihre Sicherheit zuständige Person beaufsichtigt oder erhalten von ihren Anweisungen, wie das Gerät zu benutzen ist.
3. Kinder müssen beaufsichtigt werden, um sicherzustellen, dass sie nicht mit dem Gerät spielen.
4. In die feste Verkabelung muss ein allpoliger Trennschalter gemäß den örtlichen Verkabelungsvorschriften eingebaut werden.

IN AUSTRALIEN**WARNUNG:**

FÜR EINE SICHERE VERWENDUNG DIESES LÜFTERS MUSS EIN ALLPOLIGER TRENNSCHALTER IN DIE FESTE VERKABELUNG




**GEMÄSS DEN VERKABELUNGSVORSCHRIFTEN EINGEBAUT
WERDEN.**

Wie in Absatz 7.12.2 der AS/NZS 60335-1 zur Erfüllung der minimalen elektrischen Sicherheit dieser Norm dargelegt.

Bitte beachten Sie, dass die Garantie erlischt, wenn die Installation ohne allpoligen Trennschalter erfolgt, der in die feste Verkabelung gemäß den Verkabelungsvorschriften integriert wird.

Beispiel: Wird ein Ventilator an einen Stromkreis angeschlossen, der über einen allpoligen Sicherheitsschalter an der Schalttafel isoliert werden kann, so gilt dies als allpolige Trennung vom elektrischen Stromkreis des Deckenventilators, der die Anforderungen des Abschnitts 7.12.2 der AS/NZS 60335.1 erfüllt.

Ein einpoliger Schalter am aktiven Empfängereingang der Fernbedienung muss ebenfalls in die Verkabelung integriert werden und sich im gleichen Raum wie der Deckenventilator befinden.

5.  Entsorgen Sie elektrische Geräte nicht als unsortierten Siedlungsabfall, nutzen Sie separate Sammelstellen. Wenden Sie sich an Ihre Gemeindeverwaltung, um Informationen über die verfügbaren Sammelsysteme zu erhalten. Wenn Elektrogeräte auf Deponien entsorgt werden, können gefährliche Stoffe in das Grundwasser eindringen und in die Nahrungskette gelangen, was Ihrer Gesundheit und Ihrem Wohlbefinden schadet.
6. Die Struktur, an der der Ventilator montiert werden soll, muss ein Gewicht von 16 kg tragen können.
7. Der Ventilator sollte so montiert werden, dass sich die Rotorblätter in Europa mindestens 2,3 m über dem Boden und in Australien 2,1 m über dem Boden befinden.
8. Dieser Ventilator ist nur für den Gebrauch in Innenbereichen geeignet. Die Montage des Ventilators an einem Ort, an dem er Wasser oder Feuchtigkeit ausgesetzt ist, ist gefährlich und kann das Risiko von Schäden, Verletzungen oder Stromschlägen erhöhen und führt zum Erlöschen der Garantie.



9. Das Produkt muss von einem qualifizierten Elektriker zusammengebaut installiert werden.
10. **WARNUNG:** Bei ungewöhnlichen Unwucht- oder oszillierenden Bewegungen ist der Deckenventilator sofort außer Betrieb zu nehmen und der Hersteller, sein Servicepartner oder entsprechend qualifizierte Personen zu kontaktieren.
11. Der Austausch von Teilen der Sicherheitsaufhängung ist vom Hersteller, seinem Servicepartner oder entsprechend qualifizierten Personen durchzuführen.
12. Die Befestigungsmittel zur Befestigung an der Decke, wie z. B. Haken oder andere Vorrichtungen, sind mit einer ausreichenden Festigkeit zu befestigen, um dem 4-fachen Gewicht des Deckenventilators standzuhalten; die Montage des Aufhängungssystems muss vom Hersteller, seinem Servicepartner oder entsprechend qualifizierten Personen durchgeführt werden.

TEILELISTE

- Packen Sie Ihren Deckenventilator vorsichtig aus. Entfernen Sie alle Teile und Beschläge.
- Breiten Sie alle Komponenten auf einer glatten Fläche aus und vergewissern Sie sich vor der Montage, dass keine Komponenten fehlen. Falls Teile fehlen, bringen Sie das komplette Produkt zwecks Überprüfung oder Austausch zum Einkaufsort zurück.
- Prüfen Sie, ob der Deckenventilator während des Transports beschädigt wurde. Benutzen/Installieren Sie kein Produkt, das in irgendeiner Weise beschädigt zu sein scheint. Bringen Sie das komplette Produkt zwecks Überprüfung, Reparatur oder Austausch zum Einkaufsort zurück.
- Überprüfen Sie alle Teile. Sie sollten Folgendes haben:



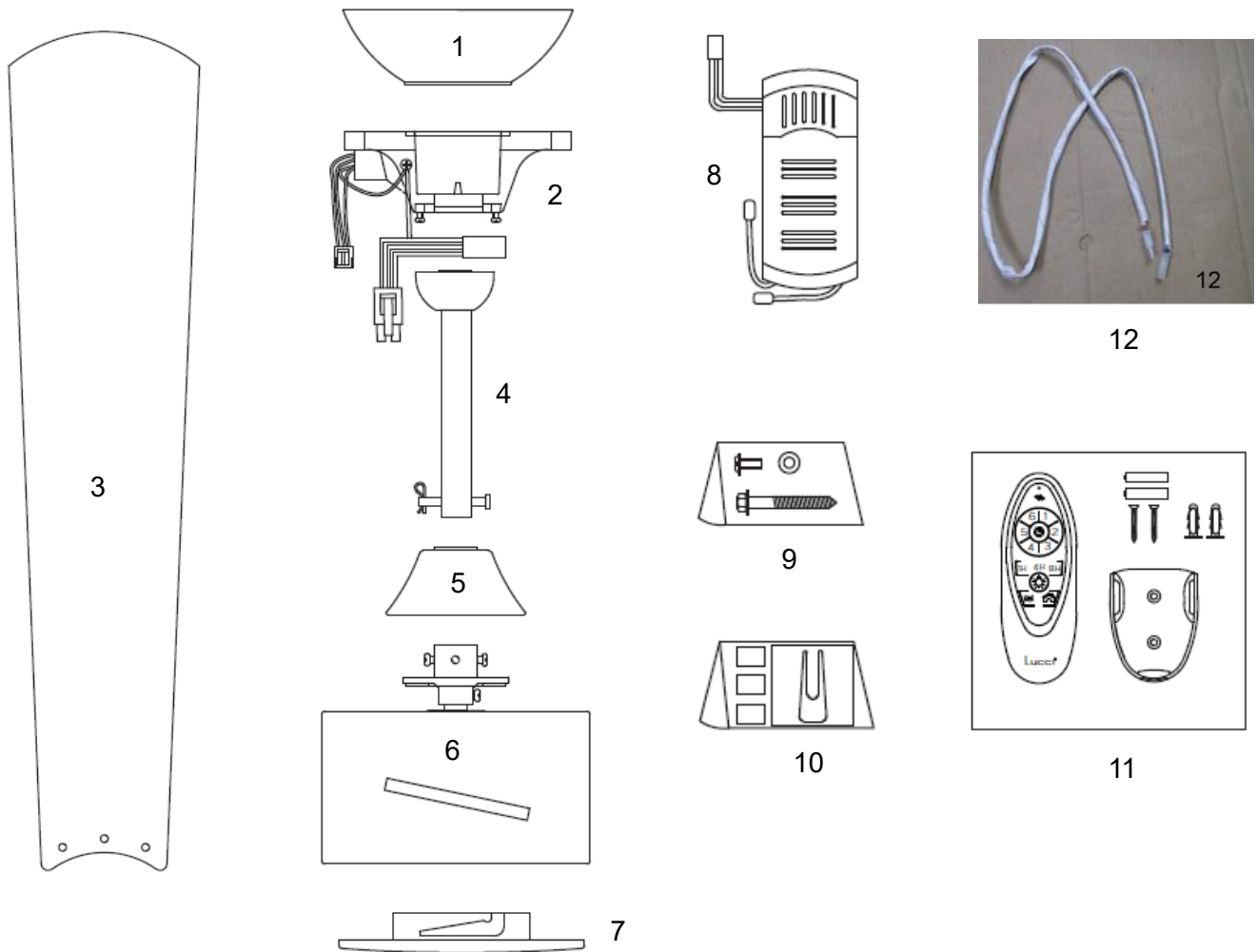


Abb.

- | | |
|---|---|
| 1 Baldachin x 1 | 7 1 x Untere Abdeckung |
| 2 1 x Halterung | 8 1 x Fernbedienungsempfänger |
| 3 3 x Rotorblatt | 9 1 x Satz Schrauben für Halterung und Rotorblätter |
| 4 1 x Satz Deckenstange | 10 1 x Satz Ausgleichsgewichte |
| 5 1 x Dekorative Abdeckung | 11 1 x Satz Fernbedienung |
| 6 1 x Ventilatormotor & Verbindungsgehäuse der Deckenstange | 12 Verlängerungskabel für Beleuchtungssatz |



MONTAGE DER HALTERUNG

- Der Deckenventilator muss mit einem Abstand von 300 mm von der Flügelspitze bis zum nächsten Objekt oder den Wänden installiert werden.
- Fixieren Sie mithilfe der zwei mitgelieferten langen Schrauben die Halterung mit dem Baldachin an einem Deckenbalken oder einem Deckenträger, der mindestens eine Last von 16 kg tragen kann. Stellen Sie sicher, dass mindestens 30 mm der Schraube in die Halterung eingeschraubt sind. (Abb. 2)

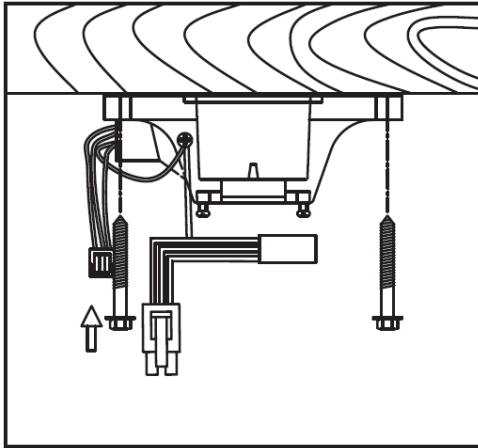
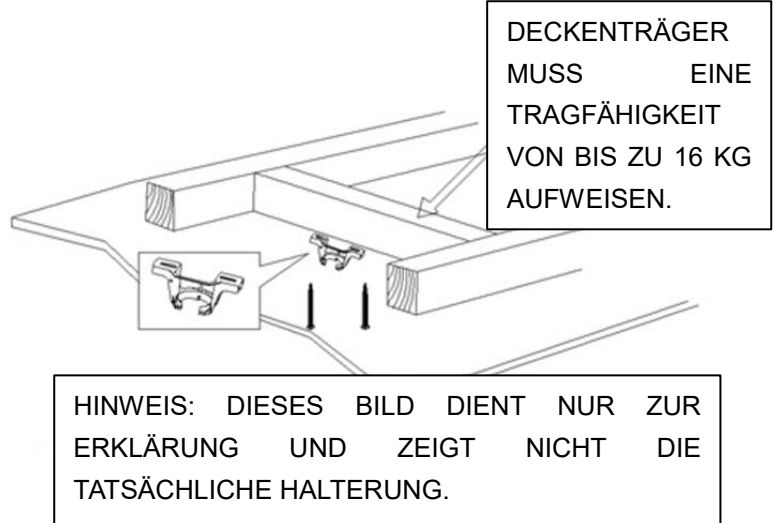


Abb. 2



HINWEIS: Die mitgelieferten Befestigungsschrauben sind nur für Holzkonstruktionen geeignet. Für andere Konstruktionen als Holz MUSS der entsprechende Schraubentyp verwendet werden. Stellen Sie sicher, dass die verwendeten Schrauben für die Montagefläche und die Umgebung geeignet sind.

INSTALLATION AN EINER DACHSCHRÄGE

Dieses Ventilator-Aufhängesystem unterstützt die Installation des Ventilators an einer Schräge von maximal 10 Grad. (Abb. 3)

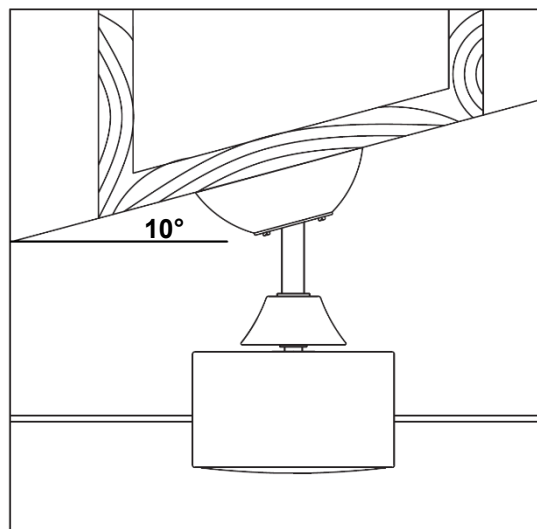


Abb. 3



MONTAGE DES VENTILATORS

INSTALLATION DER DECKENSTANGE (Abb. 4)

1. Zum Abnehmen des Kugelgelenks die Befestigungsschraube lösen. Entfernen Sie den Sicherungstift, indem Sie den Kupplungsstift entfernen. Diese Teile dürfen nicht entsorgt werden, da sie später wieder zusammengebaut werden müssen.
2. Lösen Sie die Stellschrauben am Verbindungsgehäuse der Deckenstange der Ventilatormotorbaugruppe.
3. Führen Sie die Ventilatordrähte vorsichtig durch die Deckenstange nach oben. Stecken Sie die Deckenstange durch das Verbindungsgehäuse der Ventilatormotorbaugruppe. Richten Sie die Löcher am Verbindungsstück an den Löchern der Deckenstange aus und bringen Sie Sperrstift und den Verbindungsstift durch die Löcher.
4. Sichern Sie die Deckenstange, indem Sie die Stellschrauben anziehen.

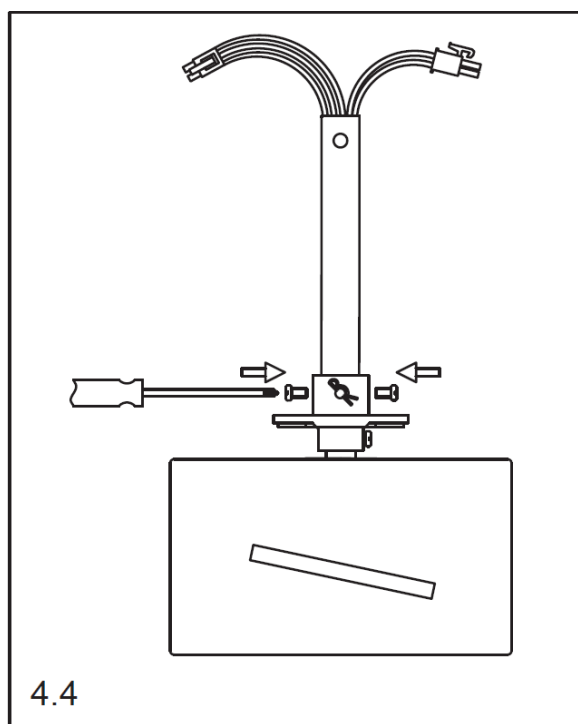
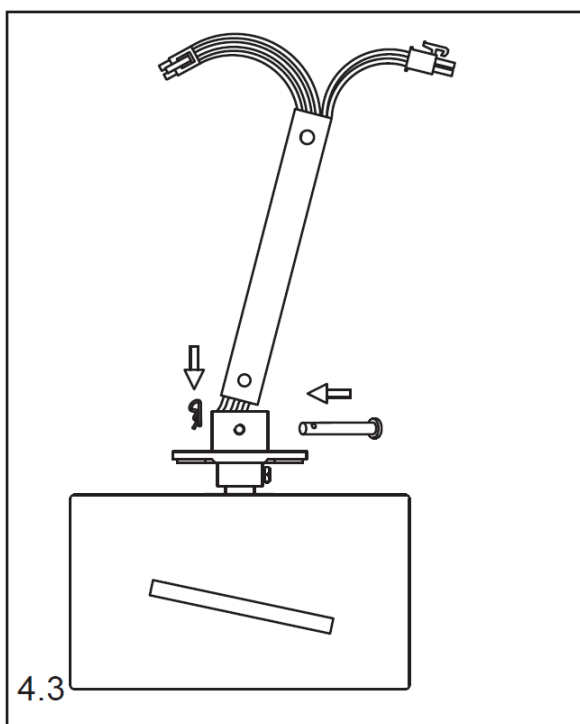
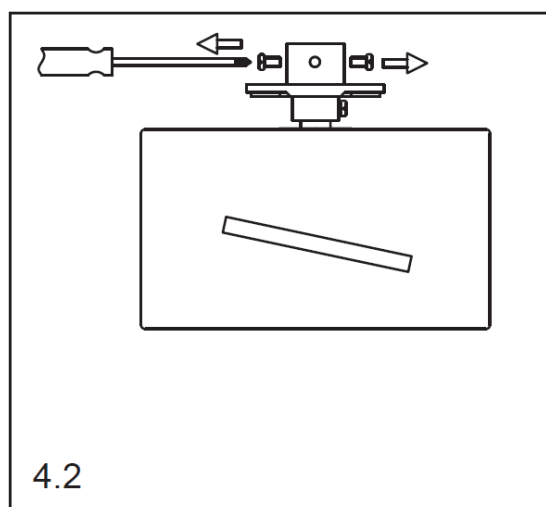
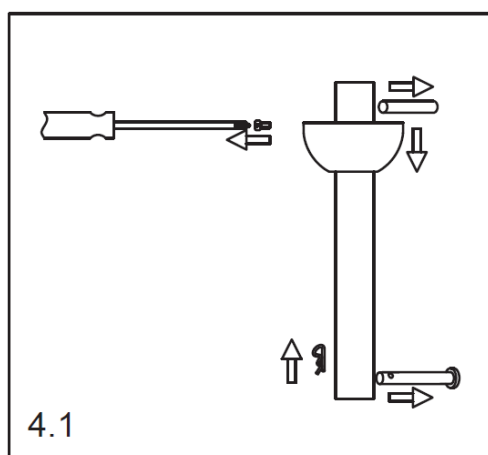


Abb. 4



MONTAGE DER KUGELAUFHÄNGUNG (Abb. 5)

1. Montieren Sie die dekorative Abdeckung auf die Deckenstange und decken Sie die Verbindungsteile ab. Schieben Sie den Baldachin Haube vorsichtig auf die Deckenstange.
2. Setzen Sie das Kugelgelenk und den Spannstift wieder in die Deckenstange ein und sichern Sie ihn durch Anziehen der Stellschraube.

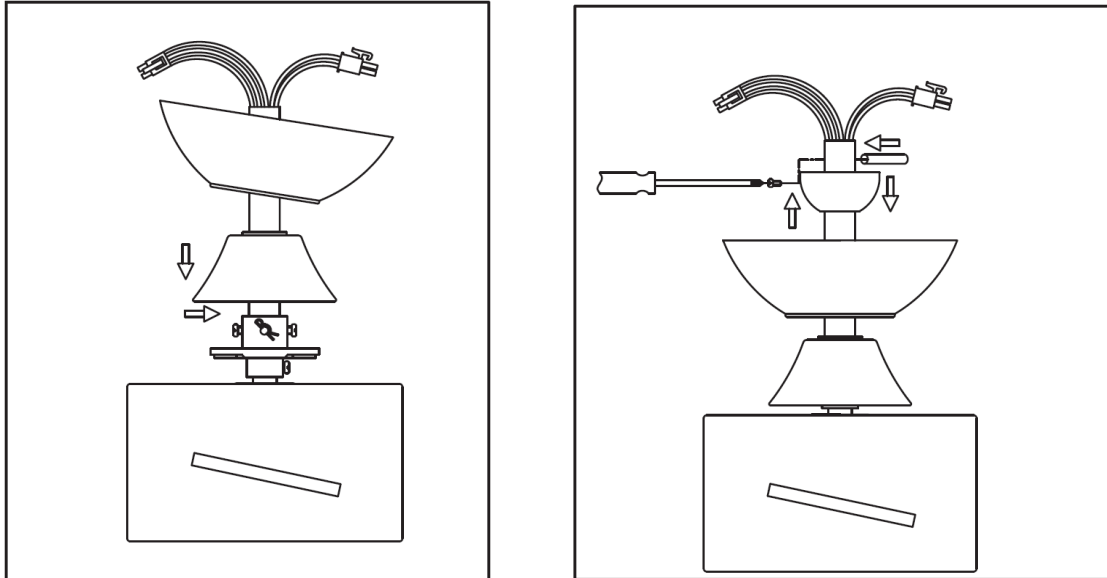


Abb. 5

ROTORBLATTMONTAGE (Abb. 6)

1. Stecken Sie das Rotorblatt in den Schlitz des rotierenden Elements der Ventilatormotorbaugruppe.
2. Richten Sie die Löcher des Rotorblatts aus und lassen Sie sie in die Rotorblatthalterung einrasten.
3. Befestigen Sie das Rotorblatt an der Rotorblatthalterung, indem Sie die 3 Rotorblattschrauben und -unterlegscheiben festziehen.

Stellen Sie sicher, dass alle Schrauben gleichmäßig angezogen sind, um das Risiko zu verringern, dass der Ventilator sich verzieht oder aus dem Gleichgewicht gerät. Achten Sie darauf, die Schrauben nicht übermäßig fest anzuziehen, da die Rotorblätter sonst beschädigt werden könnten.

4. Wiederholen Sie den Vorgang mit den restlichen vier Rotorblättern.

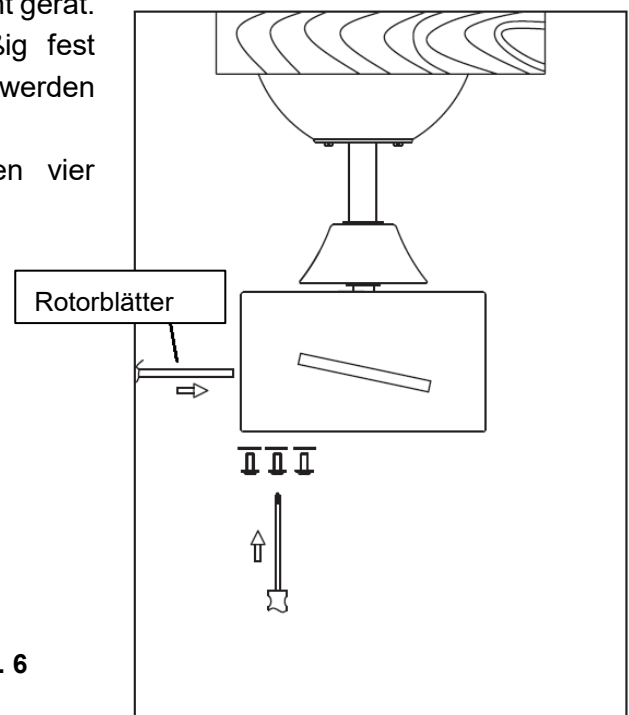


Abb. 6

MONTAGE DES BELEUCHTUNGSKITS (optional und separat erhältlich) (Abb. 7)

- **HINWEIS:** Das Beleuchtungskit muss von einem qualifizierten Elektriker installiert werden.
- Das Beleuchtungskit wird separat verkauft. (ARTIKELNR. 210643, 210644, 210645).
- Schließen Sie die Kabel des Beleuchtungskits über den Schnellanschluss an den Motor an.
- Befestigen Sie das Beleuchtungskit am Motorteil und sichern Sie es durch Drehen im Uhrzeigersinn.
- Installieren Sie die GX53-Lampe am Beleuchtungskit. Die maximale Nennleistung darf nicht überschritten werden.

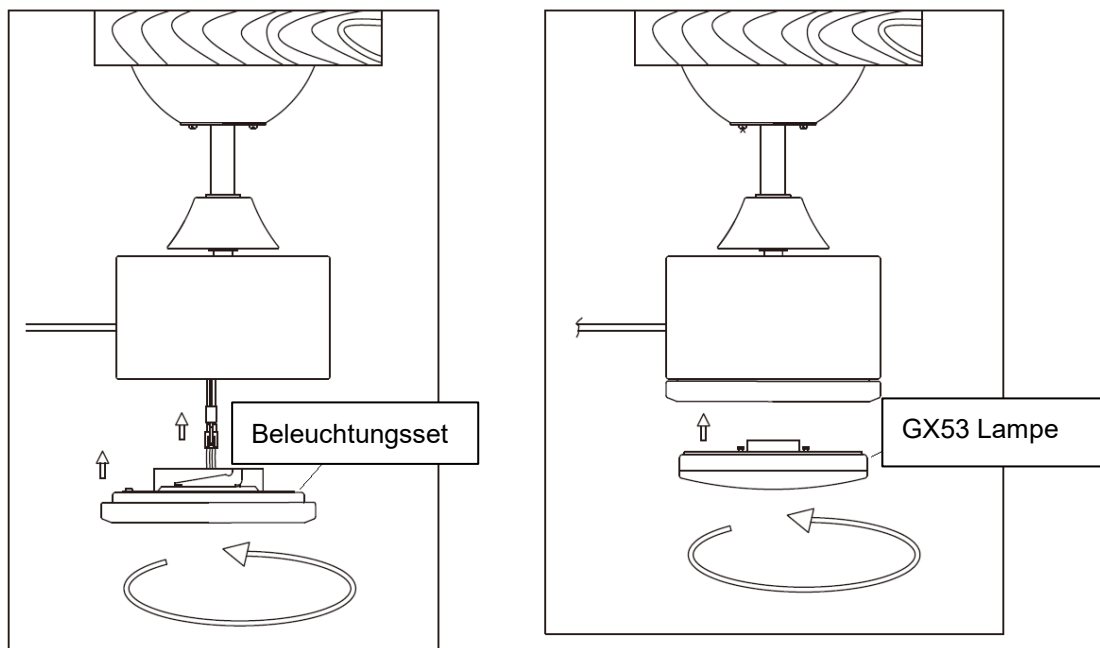


Abb. 7

**VORBEREITUNG UND FERTIGSTELLUNG DER ELEKTRISCHEN VERKABELUNG ---
VERKABELUNGSDIAGRAMM (Abb. 8)**

WARNUNG: ZUR EIGENEN SICHERHEIT SOLLTEN ALLE ELEKTRISCHEN ANSCHLÜSSE VON EINEM GEPRÜFTEN ELEKTRIKER VORGENOMMEN WERDEN.

HINWEIS: IN DER FESTVERDRAHTUNG SOLLTE EIN ZUSÄTZLICHER TRENNSCHALTER FÜR ALLE PHASEN VORGEGEHEN WERDEN.

HINWEIS: WENN AN EINEM ORT MEHRERE DECKENVENTILATOREN MIT DC-ANTRIEB ANGESCHLOSSEN SIND, IST FÜR JEDEN VENTILATOR EIN TRENNSCHALTER NOTWENDIG. ZUM PROGRAMMIEREN DER FERNSTEUERUNG AUF DEN EMPFÄNGER IST DIES NOTWENDIG.

Vergewissern Sie sich, dass das Motorerdungskabel an die einzelne Erdungsklemme „1“ im folgenden Diagramm angeschlossen ist.

(Abb. 8)

1. Verbinden Sie den Plusleiter der Stromversorgung mit der Klemme „L“ der Lüsterklemme an der Halterung.
2. Verbinden Sie den Nullleiter der Stromversorgung mit der Klemme „N“ der Lüsterklemme an der Halterung.



3. Verbinden Sie den Schutzleiter mit der Klemme „Masse“ der Lüsterklemme an der Halterung.
4. Hängen Sie die komplette Ventilatorbaugruppe an die Montagehalterung. (Abschnitt „Einhängen des Ventilators“ und Abb. 9)
5. Schließen Sie die Spannungszuleitung von der Montagehalterung am den Eingang des Gleichstrom-Motorantriebs/Empfängers an.
6. Verbinden Sie die Ausgangsleitungen des Gleichstrom-Motorantriebs/-Empfängers mit den Eingangsleitungen des Ventilatormotors und des Beleuchtungssatzes.

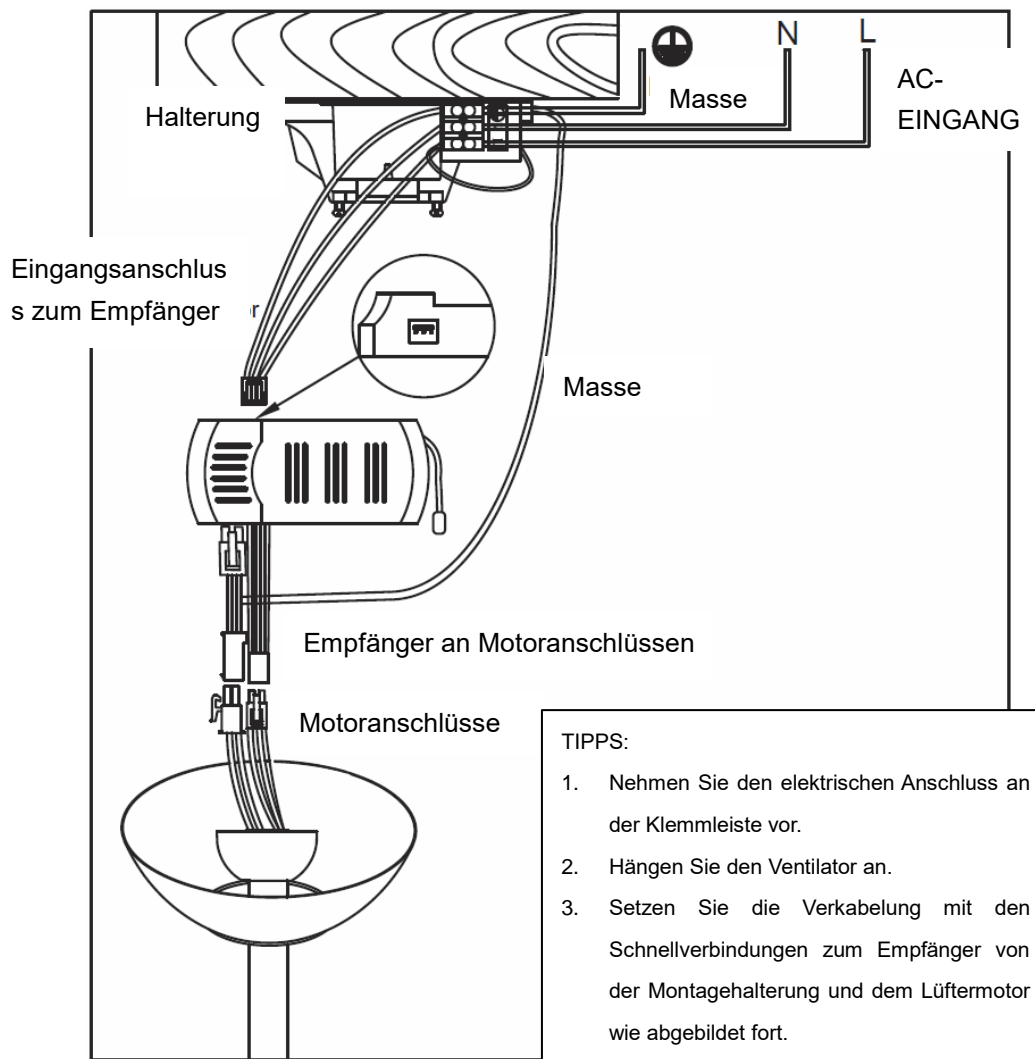


Abb. 8



AUFHÄNGEN DES VENTILATORS (Abb. 9)

Setzen Sie den kompletten Ventilator in die Halterung ein. Die Sicherungsnut (A) der Kugelaufhängung muss in den Anschlag (B) der Halterung (C) greifen, um ein Verdrehen des Ventilators im Betrieb zu verhindern. (Abb. 9)

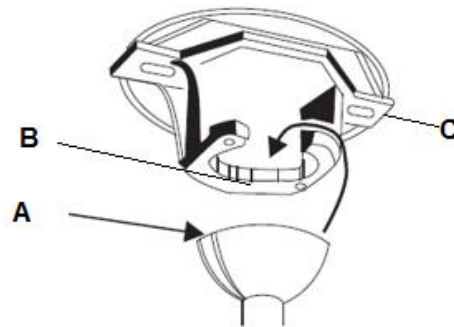


Abb. 9

ABSCHLUSS DER MONTAGE

MONTAGE DES BALDACHIN (Abb. 10)

1. Vergewissern Sie sich, dass die Erdungsleitung sicher und korrekt ist, indem Sie einen Erdungsdurchgangstest vom zugänglichen Metallkörper des Ventilators zurück zur Erdungsklemme an der Klemmleiste der Montagehalterung durchführen.
2. Lösen Sie die 2 Schrauben unten an der Halterung.
3. Schieben Sie den Baldachin bis zur Halterung und richten Sie die Löcher am Baldachin mit den Schrauben an der Halterung aus. Drehen Sie den Baldachin bis er im schmalen Teil der Löcher einrastet und sichern Sie sie durch Anziehen der beiden Schrauben. Vorsichtig vorgehen, damit die zuvor angeschlossenen Elektrokabel nicht beschädigt werden.

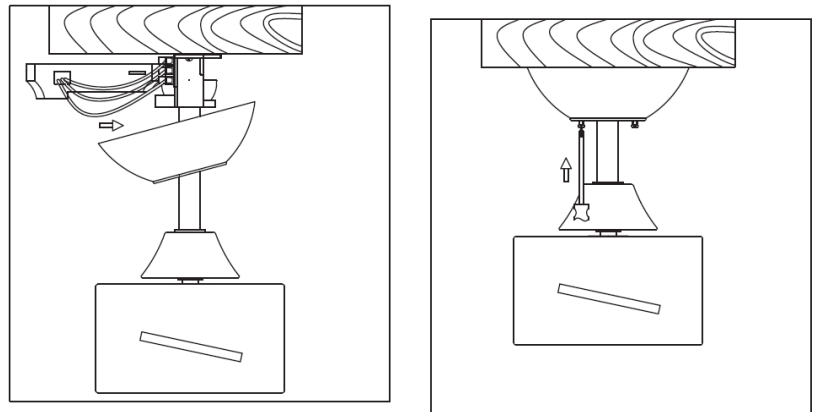


Abb. 10

MONTAGE DER UNTEREN ABDECKUNG (Abb. 11)

1. Wenn kein Beleuchtungssatz erforderlich ist, montieren Sie die untere Abdeckung am Motorteil.

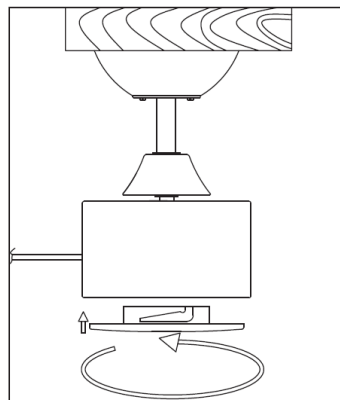
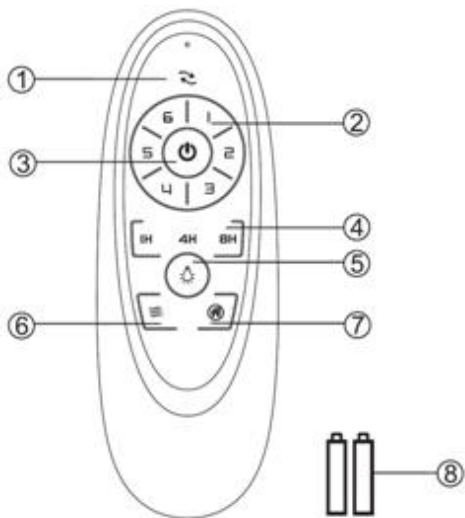


Abb. 11

BENUTZUNG DES DECKENVENTILATORS

FERNBEDIENUNG (Abb. 12)

1. Öffnen Sie den Batteriefachdeckel, indem Sie die Sicherungsschraube entfernen und 2 x Batterien vom Typ AAA einsetzen. Achten Sie beim Einsetzen der Batterie auf die richtige Batteriepolareität (+/-), setzen Sie dann die Abdeckung wieder ein und sichern Sie sie mit der Schraube.
2. Testen Sie die Fernbedienung, indem Sie eine beliebige Taste drücken und gedrückt halten. Eine rote LED leuchtet oben auf der Fernbedienung auf, um anzuzeigen, dass die Fernbedienung mit Strom versorgt wird und zur Steuerung des Ventilators bereit ist.
3. Befolgen Sie die untenstehende Anleitung, um den Ventilator zu bedienen und die Funktionen zu erlernen.



1. Drehrichtung des Ventilators (Umkehrschalter)
2. Drehzahl des Ventilators
3. EIN-/AUSSCHALTEN des Ventilators
4. Zeitsteuerung des Ventilators
5. Ein-/Ausschalten des Lichts
6. Natürlicher Luftstrom
(Der automatische Zyklus der Ventilatorzahl beträgt zwischen 1 und 6 Stufen)
7. Diebstahlsicherung
(das Licht wird alle 2 Stunden 5 bis 20 Minuten eingeschaltet)
8. 2 Stück 1,5-Batterie vom Typ AAA (im Lieferumfang enthalten)

Abb. 12

REPARIEREN DES VENTILATOREMPFÄNGERS UND DER FERNBEDIENUNG

HINWEIS: Die Kopplung von Fernbedienung und Empfänger ist werkseitig vorgenommen worden. Wenn der Deckenventilator installiert ist, ist eine Kopplung von Lüfterempfänger und Fernbedienung NICHT erforderlich.

Falls nach der Installation oder während des Gebrauchs die Ansteuerung zwischen Fernsteuerung und Empfänger verloren geht, müssen beide Komponenten wieder gekoppelt werden. Die folgenden Hinweise beschreiben Störungen während des Betriebs und Abhilfemaßnahmen zum erneuten Koppeln des Gleichstrom-Deckenventilators mit der Fernsteuerung.

Probleme:

- Ansteuerungsproblem – Ventilator läuft nach der Installation nur mit hoher Geschwindigkeit
- Ansteuerungsproblem – Kein Linkslauf nach der Installation
- Ansteuerungsproblem – Fernsteuerung kann nicht mit dem Empfänger kommunizieren



Lösung:

- Den Hauptschalter am Deckenventilator ausschalten.
- Den Hauptschalter am Deckenventilator einschalten. Halten Sie die Ein-/Aus-Taste auf der Fernbedienung 5 Sekunden lang innerhalb von 30 Sekunden nach dem Einschalten gedrückt. Es ertönt ein Signalton vom Empfänger, der anzeigt, dass der Kopplungsprozess erfolgreich war.
- Schalten Sie das Gerät ein und wählen Sie die andere Drehzahl des Deckenventilators, um die Funktion des Ventilators zu überprüfen.

NACH DER INSTALLATION

HINWEIS: Deckenventilatoren laufen während des Betriebs häufig unrund, da sie auf einer Gummidichtung montiert sind. Wenn der Ventilator fest an der Zimmerdecke montiert wäre, würde er übermäßige Vibrationen erzeugen. Eine Pendelbewegung von einigen Zentimetern ist völlig normal und weist NICHT auf ein Problem hin.

REDUZIEREN DER VENTILATORUNWUCHT: Prüfen Sie bitte, ob alle Schrauben, die die Halterung und die Deckenstange fixieren, angezogen sind.

SET MIT AUSGLEICHSGWICHTEN: Im Lieferumfang enthalten ist ein Gewichteset zum Auswuchten des Deckenventilators bei der Erstmontage. Bitte lesen Sie die Anleitungen zur Benutzung des Gewichtesets. Sollte der Deckenventilator über das normale Maß hinaus unrund laufen, kann er mithilfe des Gewichtesets erneut ausgewuchtet werden. Verstauen Sie Ihr Gewichteset nach der Montage für den eventuellen späteren Gebrauch.

GERÄUSCHE:

In einer ruhigen Umgebung (insbesondere nachts) hören Sie eventuell hier und da leise Geräusche. Leichte Stromschwankungen und Frequenzsignale, die zwecks Warmwasserregulierung außerhalb der Hauptlastzeiten eingeblendet werden, können das Motorgeräusch des Ventilators verändern. Dies ist normal. Bitte haben Sie Geduld. Nach einer „Einlaufzeit“ von 24 Stunden, verschwinden die meisten durch einen neuen Ventilator erzeugten Geräusche.

Die Herstellergarantie deckt reale Mängel ab, die auftreten können, jedoch KEINE geringfügigen Beanstandungen, wie zum Beispiel ein hörbar laufender Motor – alle elektrischen Motoren sind bis zu einem gewissen Maß zu hören.

PFLEGE UND REINIGUNG

HINWEIS: Schalten Sie vor der Reinigung des Ventilators die Stromversorgung immer am Hauptschalter AUS..

- Die regelmäßige halbjährliche Reinigung Ihres Deckenventilators ist die einzige Wartung, die erforderlich ist. Benutzen Sie eine weiche Bürste oder ein fusselfreies Tuch, um zu verhindern, dass die Lackierung zerkratzt wird. Bitte schalten Sie die Stromversorgung aus, wenn Sie das Gerät reinigen.
- Tauchen Sie den Deckenventilator NICHT in Wasser oder andere Flüssigkeiten ein. Dadurch könnten der Motor oder die Rotorblätter beschädigt werden und möglicherweise ein Stromschlag verursacht werden.
- Achten Sie darauf, dass der Ventilator nicht mit organischen Lösungsmitteln oder Reinigungsmitteln in Berührung kommt.
- Wischen Sie die Rotorblätter nur mit einem feuchten Tuch OHNE organische Lösungsmittel oder



Reinigungsmittel sauber.

- Der Motor ist mit einem dauergeschmierten Kugellager versehen. Er muss also nicht geschmiert werden.

SICHERHEITSVORKEHRUNGEN FÜR BATTERIEN

- **WARNUNG** – Halten Sie neue und gebrauchte Batterien von Kindern fern.
- **VORSICHT** – Batterie nicht verschlucken – Verätzungsgefahr.
- Verwenden Sie mit dieser Deckenventilator-Fernbedienung immer 2 Batterien vom Typ AAA.
- Achten Sie darauf, dass die Batterien mit der richtigen Polarität eingelegt sind.
- Um Fehlbedienungen beim Einsetzen oder Auswechseln der Batterie zu vermeiden, muss der Deckenventilator vom Stromnetz getrennt werden.
- Entfernen Sie die Batterien aus dem Gerät, wenn Sie es über einen längeren Zeitraum nicht benutzen.
- Die Batterien müssen aus dem Handsender entfernt werden, bevor er entsorgt wird.
- Entsorgen Sie verbrauchte Batterien sofort und sicher (sodass sie von Kindern nicht gefunden werden können). Leere Batterien können weiterhin gefährlich sein. Wenden Sie sich an Ihre örtlichen Gemeindeverwaltung, um die Batterie sicher zu entsorgen.
- Überprüfen Sie das Produkt regelmäßig und vergewissern Sie sich, dass der Deckel des Batteriefachs richtig befestigt ist. Wenn sich das Batteriefach nicht korrekt schließen lässt, stellen Sie den Gebrauch des Gerätes ein und halten Sie es von Kindern fern.
- Wenn Sie glauben, dass Batterien verschluckt wurden oder in einen Teil des Körpers eingeführt wurden, suchen Sie sofort einen Arzt auf.
- Ausgelaufene Batterie: Die Batterie enthält Chemikalien, die wie jede andere Chemikalie behandelt werden sollte. Treffen Sie Vorsichtsmaßnahmen beim Umgang mit ausgelaufenen Batteriechemikalien. Batteriechemikalien sollten nicht in der Nähe der Augen gelangen oder verschluckt werden.

TECHNISCHE DATEN

Ventilator	52" Gleichstromventilator
Ventilatormodell / Artikelnummer	LD-52"CL III / Artikelnummer 210640, 210641, 210642
Nennspannung	220-240 V~ 50 Hz
Nennleistung (Motor)	35 W
Nennleistung (Lampe)	GX53, Max.12 W
Batterie für Fernbedienung	2 x AAA
Gewicht	3,9 kg
Maße des Baldachins	H: 50 mm Durchmessers: 150 mm

GARANTIEINFORMATIONEN

IN AUSTRALIEN / NEUSEELAND - Bitte beachten Sie die gesonderte GARANTIEERKLÄRUNG.

IN EUROPA – Wenn Sie ein europäischer Kunde sind, wenden Sie sich bitte an das Geschäft, in dem der Ventilator gekauft wurde, um Garantieleistungen in Anspruch zu nehmen.



F**MERCI POUR VOTRE ACHAT**

Merci d'avoir acheté le dernier des ventilateurs de plafond économe en énergie. Ce ventilateur fonctionne sur du courant continu, ce qui le rend très économe en énergie tout en maintenant un déplacement de volume d'air important et un fonctionnement silencieux.

Économie d'énergie - Le moteur à courant continu est la toute dernière technologie dans la conception de ventilateurs. Son moteur très efficace permet d'économiser jusqu'à plus de 65 % d'énergie par rapport aux ventilateurs de plafond équipés de moteurs à courant alternatif classiques.

Fonctionnement silencieux – Ce moteur de ventilateur à courant continu est programmé avec un courant stabilisé qui réduit efficacement le bruit du moteur.

Basse température de fonctionnement – La gestion efficace de l'alimentation en courant continu réduit efficacement la température de fonctionnement à moins de 50 °C. Il en résulte un moteur bien plus froid que celui d'un ventilateur classique alimenté en courant alternatif. Cela augmente la durée de vie du moteur.

Télécommande à 6 vitesses - Les ventilateurs de plafond à courant alternatif ne comportent généralement que 3 vitesses. Ce ventilateur à courant continu est fourni avec une télécommande à 6 vitesses, ce qui offre un plus grand choix au niveau du confort.

CONSIGNES DE SÉCURITÉ

1. En Europe : Cet appareil peut être utilisé par des enfants âgés de plus de 8 ans et des personnes ayant des capacités physiques, sensorielles et mentales réduites ou un manque d'expérience et de connaissances si elles sont surveillées ou si elles ont reçu les instructions concernant l'utilisation sécurisée de l'appareil et si elles comprennent les dangers encourus. Le nettoyage et l'entretien ne doivent pas être effectués par des enfants sans surveillance.
2. En Australie : Cet appareil peut être utilisé par des personnes (y compris des enfants) ayant des capacités physiques, sensorielles et mentales réduites ou un manque d'expérience et de connaissances si elles sont surveillées ou si elles ont reçu les instructions concernant l'utilisation de l'appareil par une personne responsable de leur sécurité.
3. Il convient de surveiller les enfants pour s'assurer qu'ils ne jouent pas avec l'appareil.
4. Un commutateur de déconnexion multipolaire doit être intégré dans le câblage fixe, conformément aux règles de câblage locales.

EN AUSTRALIE**AVERTISSEMENT :**

**POUR UNE UTILISATION EN TOUTE SÉCURITÉ DE CE
VENTILATEUR, LES DÉCONNEXIONS MULTIPOLAIRES DOIVENT**



ÊTRE INTÉGRÉES DANS LE CÂBLAGE FIXE CONFORMÉMENT AUX RÈGLES DE CÂBLAGE.


Comme mentionné dans la clause 7.12.2 de la norme AS/NZS 60335-1 pour respecter la sécurité électrique minimale de cette norme.

Veillez noter que la garantie sera annulée si l'installation se fait sans moyen de déconnexion multipolaire intégré au câblage fixe conformément aux règles de câblage.

Exemple : Si un ventilateur est branché à un circuit qui peut être isolé via un interrupteur de sécurité multipolaire au niveau du tableau, il s'agit alors d'une déconnexion multipolaire du circuit électrique du ventilateur de plafond, répondant aux exigences de la clause 7.12.2 de la norme AS/NZ 60335.1.

Un interrupteur unipolaire sur l'activation de l'entrée du récepteur de la télécommande doit aussi être inclus dans le câblage et situé dans la même pièce que le ventilateur de plafond.



5.  Ne jetez pas les appareils électriques avec les ordures ménagères, utilisez des points de collecte séparés. Contactez les autorités locales pour connaître les systèmes de collecte disponibles. Si des appareils électriques sont envoyés en décharges légales ou illégales, des substances dangereuses peuvent fuir dans les nappes phréatiques et entrer dans la chaîne alimentaire, nuisant ainsi à votre santé et à votre bien-être.
6. La structure sur laquelle le ventilateur est fixé doit être capable de supporter un poids de 16 kg.
7. Le ventilateur doit être fixé de sorte que les pales soient à au moins 2,3 m au-dessus du sol en Europe ou 2,1 m au-dessus du sol en Australie.
8. Ce ventilateur ne convient que pour une utilisation intérieure. Fixer le ventilateur à un endroit sujet à de l'eau ou de l'humidité est dangereux, peut augmenter le risque de dommage, de blessure ou de choc électrique et annule la garantie.
9. Doit être assemblé et installé par un électricien agréé.
10. AVERTISSEMENT: Si vous observez des tremblements ou des oscillations inhabituels, arrêtez



immédiatement d'utiliser le ventilateur de plafond et contactez le fabricant, son agent de maintenance ou des personnes dûment qualifiées.

11. Le remplacement de pièces du dispositif de suspension de sécurité doit être effectué par le fabricant, son agent de maintenance ou des personnes dûment qualifiées.
12. Les moyens de fixation au plafond tels que des crochets ou d'autres dispositifs doivent être fixés avec assez de résistance pour supporter 4 fois le poids du ventilateur de plafond; le montage du système de suspension doit être effectué par le fabricant, son agent de maintenance ou des personnes dûment qualifiées.

LISTE DES PIÈCES

- Déballez soigneusement votre ventilateur. Enlevez toutes les pièces et la quincaillerie.
- Étalez toutes les pièces sur une surface lisse et vérifiez qu'il n'en manque aucune avant de commencer le montage. Si des pièces sont manquantes, ramenez le produit dans son intégralité au point de vente afin qu'il soit inspecté ou remplacé.
- Vérifiez que le ventilateur de plafond n'a pas été endommagé pendant le transport. N'utilisez/n'installez pas un produit présentant des dommages de quelque nature que ce soit. Ramenez le produit dans son intégralité au point de vente afin qu'il soit inspecté, réparé ou remplacé.
- Examinez toutes les pièces, vous devez avoir les éléments suivants :



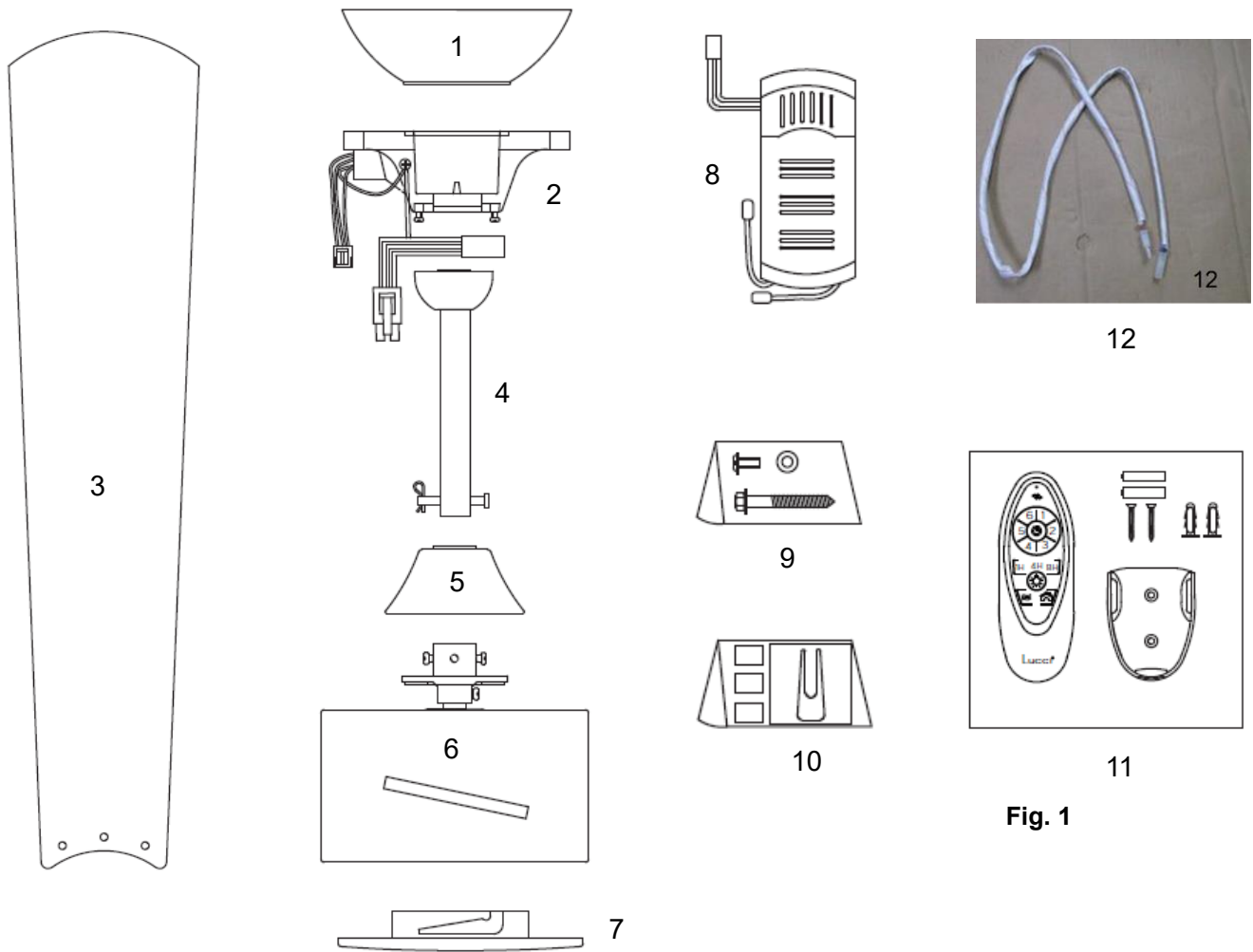


Fig. 1

- | | | | |
|---|--|----|--|
| 1 | Cache de fixation x 1 | 7 | Couvercle inférieur x 1 |
| 2 | Support de montage x 1 | 8 | Récepteur x 1 |
| 3 | Pales x 3 | 9 | Vis pour le support de montage et pales x 1 ensemble |
| 4 | Tige descendante x 1 ensemble | 10 | Kit d'équilibre x 1 ensemble |
| 5 | Couvercle décoratif x 1 | 11 | Télécommande x 1 |
| 6 | Boîtier de couplage du moteur du ventilateur et de la tige descendante x 1 | 12 | Rallonge du kit d'éclairage |



INSTALLATION SUR LE SUPPORT DE MONTAGE

- Le ventilateur de plafond doit être installé dans un endroit où les pales seront éloignées d'au moins 300 mm de tout objet ou mur.
- Installez le support de suspension sur une solive ou une structure capable de supporter une charge d'au moins 16 kg avec les deux vis longues fournies. Veillez à ce qu'au moins 30 mm des vis soient vissés dans le support. (Fig. 2)

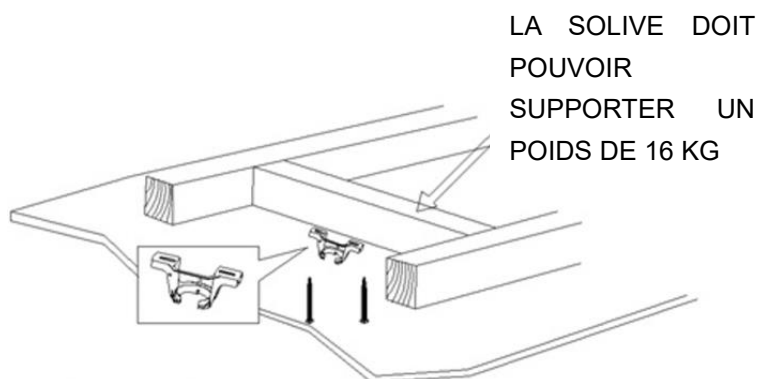
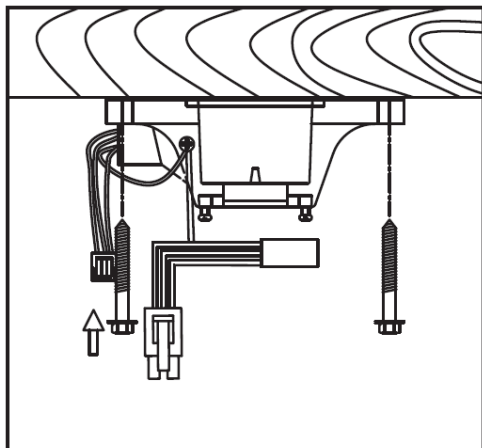


Fig. 2

REMARQUE : CE SCHÉMA N'EST FOURNI QU'À TITRE INDICATIF ET NE REPRÉSENTE PAS LE SUPPORT RÉEL.

REMARQUE : Les vis de support fournies conviennent uniquement pour les structures en bois. Pour les structures autres que du bois, un type de vis approprié doit être utilisé. Veillez à ce que les vis utilisées soient adaptées à la surface de montage et à l'environnement.

INSTALLATION SUR PLAFOND INCLINÉ

Ce système de suspension de ventilateur permet une installation sur plafond incliné de 10° de pente au maximum. (Fig. 3)

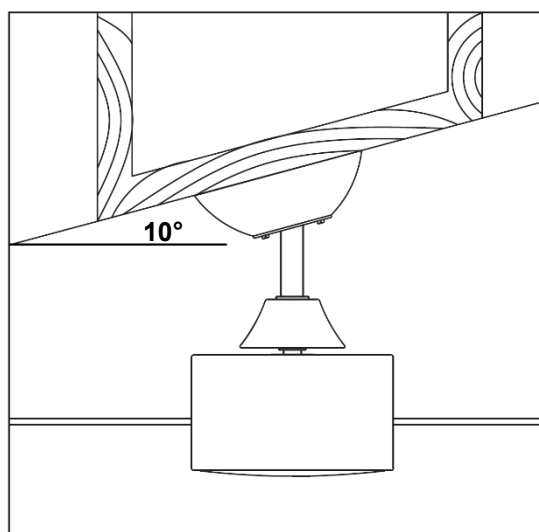


Fig. 3

INSTALLATION DU VENTILATEUR

INSTALLATION DE LA TIGE DESCENDANTE (Fig.4)

1. Enlevez la rotule et la goupille en desserrant la vis de blocage. Enlevez la goupille de verrouillage en enlevant la goupille de sécurité. Gardez ces pièces, elles sont nécessaires pour le remontage ultérieur.
2. Desserrez les vis de réglage situées sur le boîtier de couplage de la tige descendante du moteur du ventilateur.
3. Faites passer avec précaution les fils du ventilateur à travers la tige descendante. Installez la tige descendante dans le boîtier de couplage de la tige descendante du moteur du ventilateur. Alignez les trous du boîtier de la tige descendante avec ceux de la tige descendante, puis insérez la goupille de verrouillage et la goupille de sureté.
4. Fixez la tige descendante en serrant les vis de réglage.

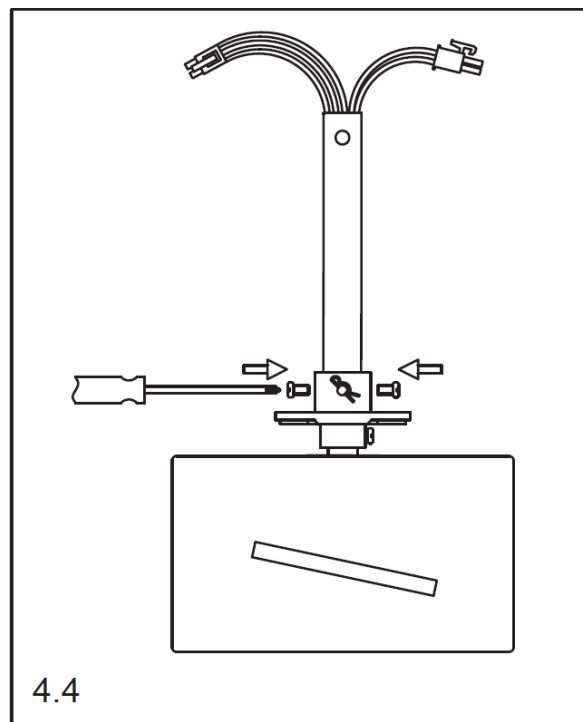
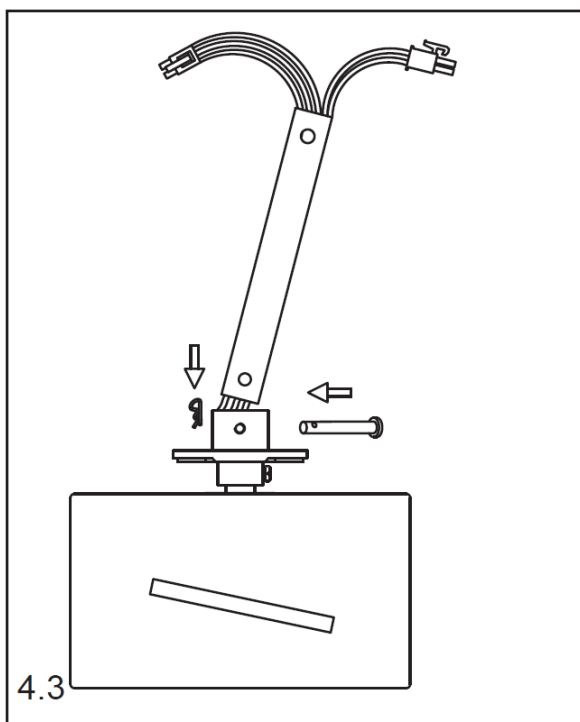
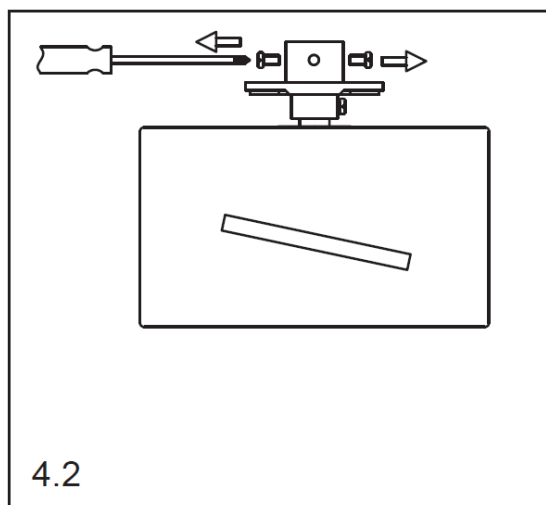
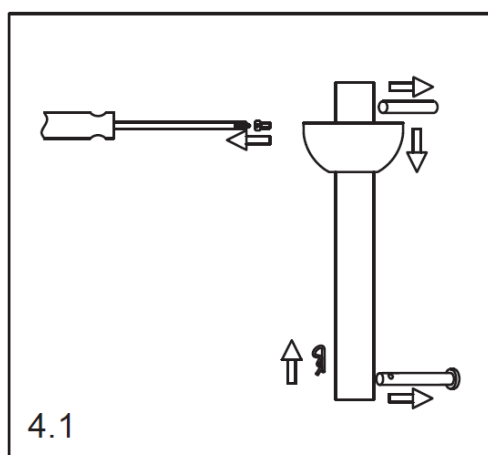


Fig. 4

INSTALLATION DU SYSTÈME D' ACCROCHAGE (Fig.5)

1. Installez le couvercle décoratif sur la tige descendante et couvrez les pièces de couplage. Faites glisser soigneusement le cache de fixation.
2. Réinstallez la rotule et la goupille dans la tige descendante et fixez-les en serrant la vis de réglage.

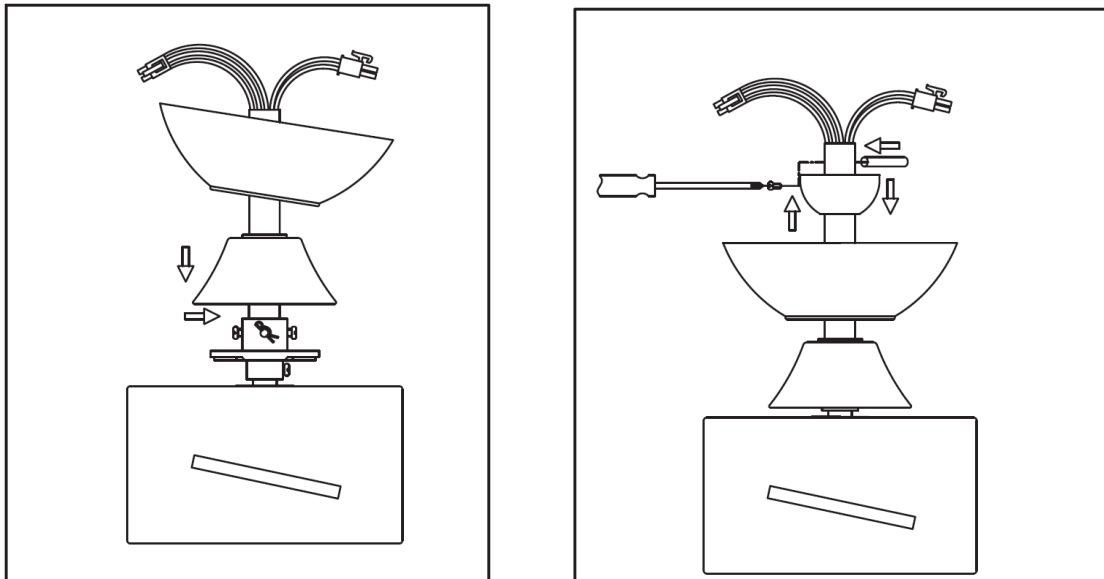


Fig. 5

INSTALLATION DE LA PALE (Fig. 6)

1. Insérez la pale dans l'encoche du membre en rotation du moteur du ventilateur.
2. Alignez et engagez les trous de la pale sur le support de la pale.
3. Fixez la pale au moteur du ventilateur en serrant les 3 vis et les rondelles de la pale.
Vérifiez que toutes les vis sont uniformément serrées pour réduire le risque de déséquilibre et de déformation.
(Ne les serrez pas excessivement, car cela peut endommager les pales).
4. Répétez la même opération pour les autres pales.

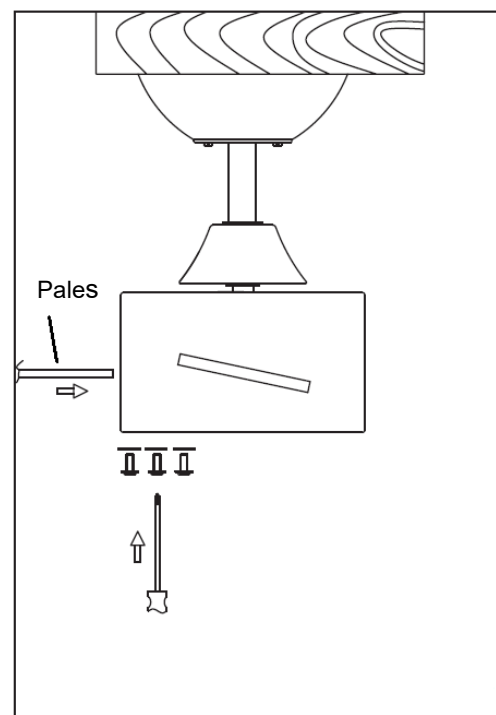


Fig. 6

INSTALLATION DU KIT D'ÉCLAIRAGE (en option et vendu séparément) (Fig.7)

- **REMARQUE** : Le kit d'éclairage récepteur doit être installé par un électricien agréé.
- Le kit d'éclairage est vendu séparément. (N° UGS 210643, 210644, 210645).
- Branchez les fils du kit d'éclairage à la partie moteur via le connecteur rapide.
- Fixez le kit d'éclairage sur la partie moteur, puis fixez-le en le tournant dans le sens des aiguilles d'une montre.
- Installez l'ampoule GX53 sur le kit d'éclairage. Ne dépassez pas la puissance nominale maximale.

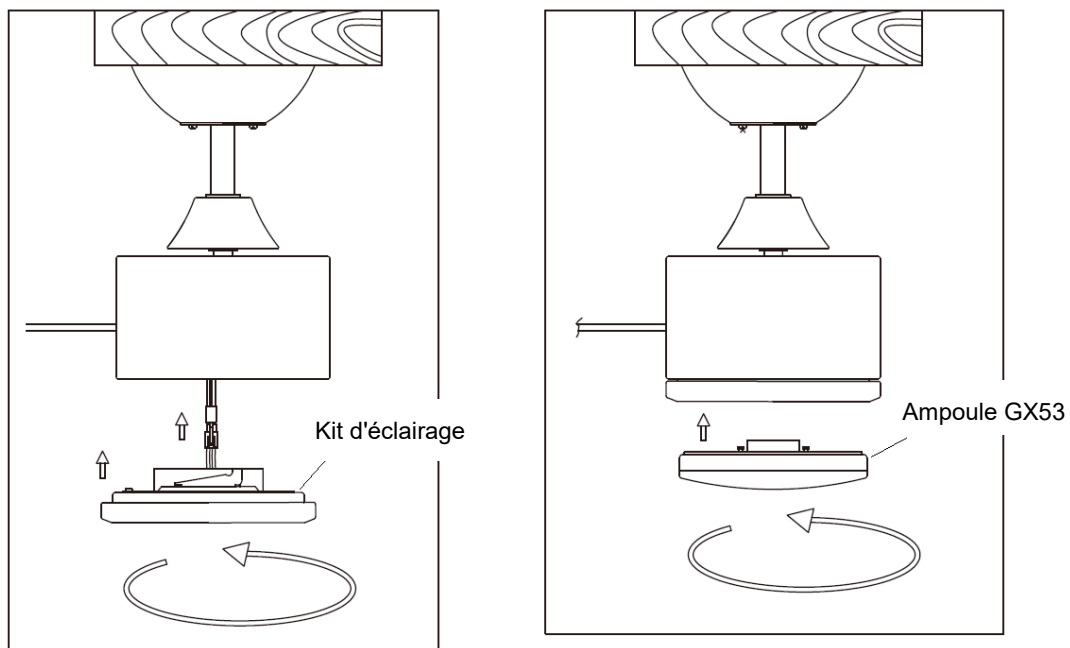


Fig. 7

PRÉPAREZ ET COMPLÉTEZ LE CÂBLAGE ÉLECTRIQUE --- DIAGRAMME ÉLECTRIQUE (FIG. 8)

AVERTISSEMENT : POUR VOTRE SÉCURITÉ, TOUS LES RACCORDEMENTS ÉLECTRIQUES DOIVENT ÊTRE EFFECTUÉS PAR UN ÉLECTRICIEN AGRÉÉ.

REMARQUE : UN COMMUTATEUR DE DÉCONNEXION MULTIPOLAIRE SUPPLÉMENTAIRE DOIT ÊTRE INCLUS DANS LE CÂBLAGE FIXE.

REMARQUE : SI PLUSIEURS VENTILATEURS DE PLAFOND CC SONT INSTALLÉS DANS LE MÊME LIEU, UN COMMUTATEUR D'ISOLATION EST NÉCESSAIRE POUR CHAQUE VENTILATEUR DE PLAFOND. IL EST REQUIS LORS DE LA PROGRAMMATION DE LA TÉLÉCOMMANDE ET DU RÉCEPTEUR EN VUE DE LEUR APPAIRAGE.

Veillez à ce que le fil de terre du moteur soit connecté au bornier de mise à la terre unique «1» dans le schéma ci-dessous.

(Fig. 8)

1. Branchez le câble d'alimentation sous tension à la borne «L» du bornier sur le support de montage.
2. Branchez le câble d'alimentation neutre à la borne «N» du bornier sur le support de montage.



3. Branchez le fil de mise à la terre à la borne terre du bornier sur le support de montage.
4. **Suspendez le ventilateur au support de montage (section «Suspension du ventilateur» et Fig. 9)**
5. Branchez le fil d'alimentation du support de montage à l'entrée du pilote / récepteur du moteur CC.
6. Branchez les fils de sortie du pilote / récepteur du moteur CC aux fils d'entrée du moteur du ventilateur et du kit d'éclairage.

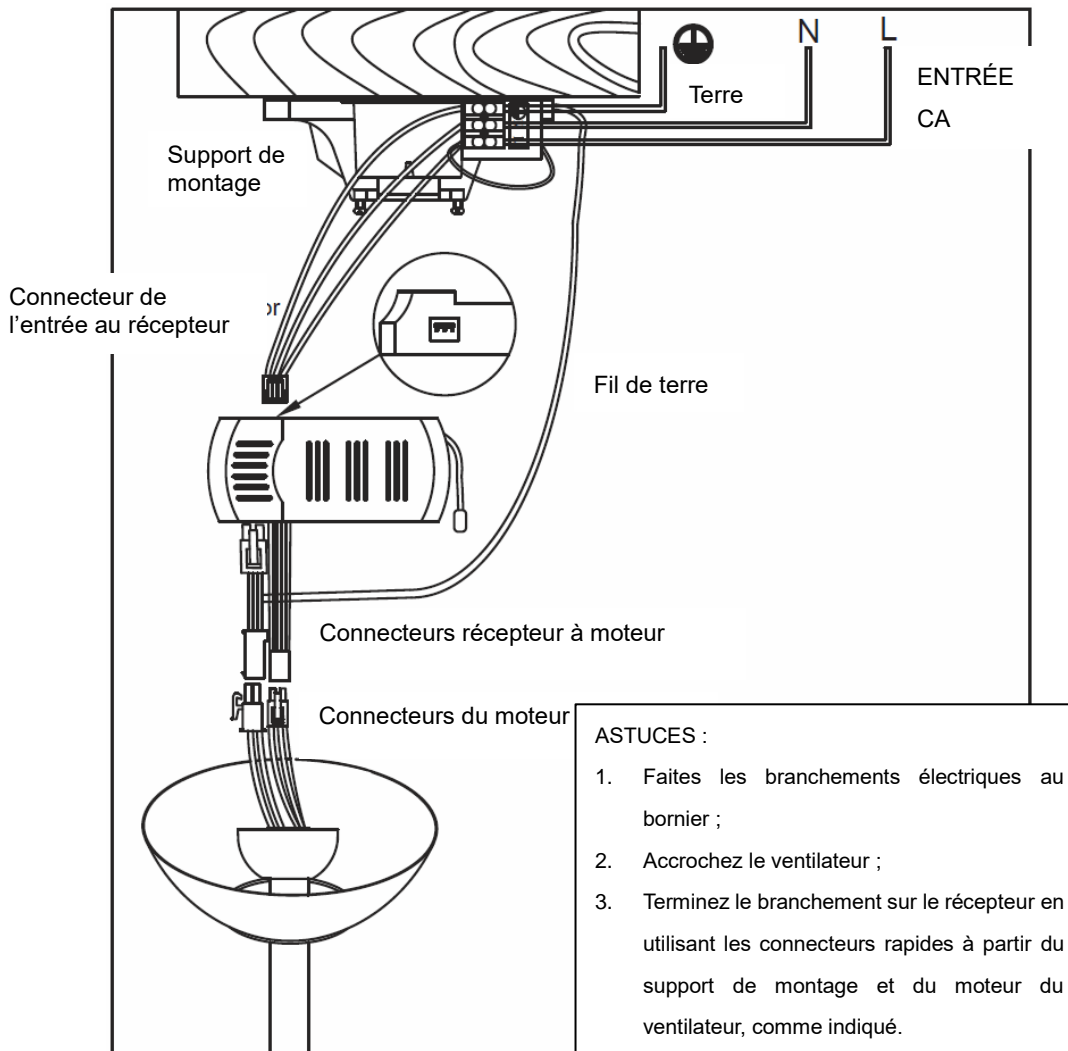


Fig. 8

SUSPENSION DU VENTILATEUR (Fig. 9)

Soulevez le ventilateur complet pour le placer sur le support de montage. Assurez-vous que l'encoche clé (A) de la rotule de la suspension est positionnée sur la goupille clé (B) du support de montage (C) pour empêcher le ventilateur de tourner lorsqu'il fonctionne. (Fig.9)

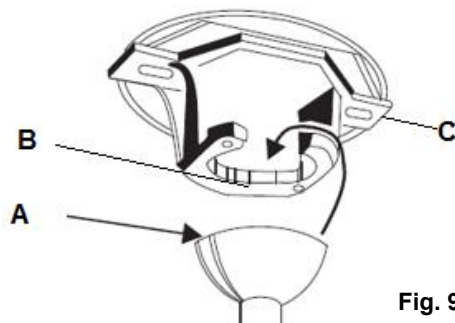


Fig. 9

FINALISATION DE L'INSTALLATION**INSTALLATION DU CACHE DE FIXATION (Fig.10)**

1. Assurez-vous que le câblage à la terre est sécurisé et bien fait, en effectuant un test de continuité de mise à la terre du corps en métal accessible du ventilateur à la borne de la terre du bornier sur le support de montage.
2. Desserrez les 2 vis situées sur la partie inférieure du support de montage.
3. Faites glisser le cache de fixation sur le support de montage et alignez les encoches en forme de L du cache de fixation avec les vis sur le support de montage. Tournez le cache de fixation jusqu'à ce qu'il se verrouille en place à la section d'extrémité de l'encoche en forme de L et fixez-le en serrant les deux vis. Évitez d'endommager le câblage électrique préparé précédemment.

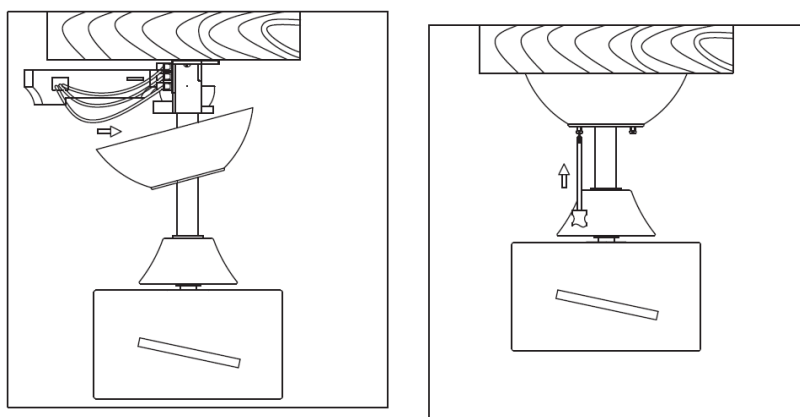


Fig. 10

INSTALLATION DU COUVERCLE INFÉRIEUR (Fig.11)

1. Installez le couvercle inférieur sur la partie du moteur si aucun kit d'éclairage n'est requis.

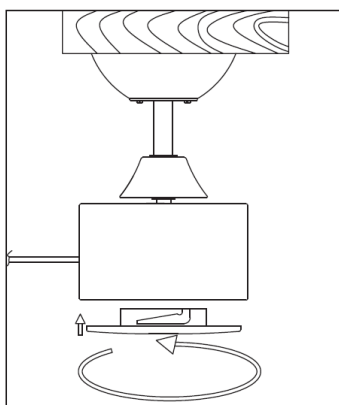


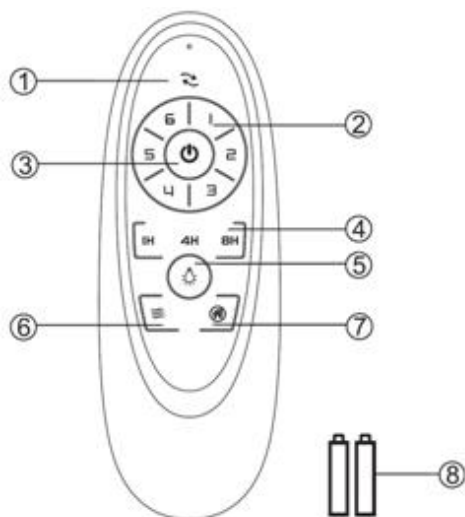
Fig. 11



UTILISATION DE VOTRE VENTILATEUR DE PLAFOND

TÉLÉCOMMANDE (Fig.12)

1. Ouvrez le couvercle du compartiment à piles en enlevant la vis de fixation et insérez 2 piles AAA. Notez la bonne polarité (+/-) lorsque vous insérez les piles, puis remplacez le couvercle et fixez-le avec la vis.
2. Testez la télécommande en appuyant sur n'importe quel bouton. Un voyant rouge s'allume en haut de la télécommande pour indiquer que la télécommande est sous tension et qu'elle est prête à être utilisée pour contrôler le ventilateur.
3. Suivez le guide ci-dessous pour faire fonctionner le ventilateur et apprendre les fonctions.



1. Direction du ventilateur (inverseur)
2. Vitesse du ventilateur
3. ON/OFF du ventilateur
4. Contrôle de la synchronisation du ventilateur
5. ON/OFF de l'éclairage
6. Vent naturel
(Le cycle automatique de la vitesse du ventilateur entre les vitesses 1 et 6)
7. Fonction anti-vol
(la lumière s'allume 5 à 20 minutes toutes les 2 heures)
8. 2 piles 1,5 V AAA (fournies)

Fig. 12

RÉPARATION DE L'APPAIRAGE DU RÉCEPTEUR ET DE LA TÉLÉCOMMANDE DU VENTILATEUR

REMARQUE : L'appairage de la télécommande et du récepteur a été fait en usine.

Lorsque le ventilateur de plafond est installé, l'appairage du récepteur et de la télécommande du ventilateur n'est PAS nécessaire.

Si la télécommande et le récepteur perdent le contrôle après l'installation ou pendant l'utilisation, l'appairage de la télécommande et du récepteur doit être rétabli. Vous trouverez ci-dessous les symptômes des problèmes de fonctionnement et la méthode de rétablissement de l'appairage de la télécommande et du récepteur du ventilateur de plafond CC.

Problèmes :

- Perte de contrôle - Le ventilateur ne fonctionne qu'à vitesse élevée après l'installation
- Perte de contrôle - Pas de fonctionnement inverse après l'installation
- Perte de contrôle - La télécommande ne peut pas communiquer avec le récepteur

Solution :

- Coupez l'alimentation principale du ventilateur de plafond.



- Allumez l'alimentation principale du ventilateur de plafond. Appuyez sur le bouton On/Off et maintenez-le enfoncé pendant 5 secondes dans les 30 secondes qui suivent l'allumage. Vous entendez un 'bip' de notification du récepteur pour indiquer que le processus d'appairage est réussi.
- Allumez le ventilateur de plafond et sélectionnez différentes vitesses pour vérifier le fonctionnement du ventilateur.

APRÈS INSTALLATION

REMARQUE : les ventilateurs de plafond ont tendance à bouger pendant leur fonctionnement, car ils sont montés sur un œillet en caoutchouc. Si le ventilateur était monté de façon rigide au plafond, cela causerait des vibrations excessives. Un mouvement de plusieurs centimètres est acceptable et NE cause PAS de problème.

MANIÈRE DE RÉDUIRE LE TREMBLEMENT DU VENTILATEUR Veuillez vérifier que toutes les vis qui fixent le support de fixation et la tige descendante sont bien serrées.

KIT D'ÉQUILIBRE : Un kit d'équilibre est fourni pour équilibrer le ventilateur du plafond sur l'installation initiale. Veuillez vous référer aux instructions sur la manière d'utiliser le kit d'équilibre. Le kit d'équilibre peut être utilisé pour faciliter le rééquilibrage si le ventilateur de plafond se déséquilibre à nouveau. Rangez votre kit d'équilibre après l'installation pour l'utiliser ultérieurement si nécessaire.

BRUIT :

Lorsque c'est calme (en particulier la nuit), il se peut que vous entendiez de faibles bruits occasionnels. De légères fluctuations de la puissance et des signaux de fréquence superposés dans l'électricité pour le contrôle de la production d'eau chaude en période creuse peuvent entraîner un changement dans le bruit du moteur du ventilateur. C'est normal. Veuillez prévoir une période d'«installation» de 24 heures, la plupart des bruits associés à un nouveau ventilateur disparaissent pendant cette période.

La garantie du fabricant couvre les défauts réels susceptibles d'apparaître et NON les réclamations mineures telles que le bruit de fonctionnement du ventilateur – Tous les moteurs électriques sont audibles dans une certaine mesure.

ENTRETIEN ET NETTOYAGE

REMARQUE : Coupez toujours l'alimentation au niveau de l'interrupteur secteur avant tout entretien ou toute tentative de nettoyage du ventilateur.

- Le seul entretien requis est un nettoyage tous les 6 mois de votre ventilateur de plafond. Utilisez une brosse douce ou un chiffon non pelucheux pour éviter de rayer la peinture. Veuillez couper l'alimentation secteur lors de cette opération.
- Ne trempez pas ou ne plongez pas le ventilateur de plafond dans l'eau ou dans d'autres liquides. Cela pourrait endommager le moteur ou les pales et créer un risque de choc électrique.
- Assurez-vous que le ventilateur n'entre pas en contact avec des solvants organiques ou des détergents.
- Pour nettoyer les pales du ventilateur, essuyez seulement avec un chiffon propre humide sans solvant organique ou détergent.
- Le moteur dispose d'un roulement à billes lubrifié en permanence, il n'y a donc pas besoin d'huile.



CONSIGNES DE SÉCURITÉ POUR LES PILES

- **AVERTISSEMENT** – Maintenez les piles neuves et usées hors de portée des enfants.
- **ATTENTION** – N'ingérez pas les piles, risque de brûlure chimique.
- Utilisez toujours 2 piles de type AAA avec la télécommande de ce ventilateur de plafond.
- Les piles doivent être insérées en respectant la bonne polarité.
- Pour éviter une erreur de manipulation pendant l'insertion ou le remplacement des piles, ce ventilateur de plafond doit être débranché de l'alimentation secteur.
- Retirez les piles du produit lorsqu'il n'est pas utilisé pendant longtemps.
- Les piles doivent être retirées de la télécommande avant d'être jetées.
- Mettez les piles usées au rebut sans délai et en toute sécurité (hors de portée des enfants). Les piles peuvent encore être dangereuses. Contactez les autorités locales pour éliminer en toute sécurité les piles.
- Vérifiez régulièrement le produit et assurez-vous que le couvercle du logement de la pile est bien fermé. Si le logement de la pile ne peut pas être solidement fermé, cessez d'utiliser le produit et maintenez-le hors de portée des enfants.
- Si vous pensez que des piles ont peut-être été avalées ou placées dans une partie du corps, consultez immédiatement un médecin.
- Fuites de la pile : La pile contient des produits chimiques et doit être traitée comme tout produit chimique. Prenez des précautions lorsque vous manipulez les produits chimiques d'une pile qui fuit. Les produits chimiques d'une pile ne doivent pas être placés près des yeux ou ingérés.

INFORMATIONS TECHNIQUES

Ventilateur	Ventilateur CC 52"
Modèles de ventilateur / N° UGS	LD-52"CL III / N° UGS 210640, 210641, 210642
Tension nominale	220-240 V~ 50Hz
Puissance nominale (moteur)	35 W
Puissance nominale (ampoule)	GX53, Max. 12 W
Pile pour télécommande	2 x AAA
Poids	3,9 kg
Dimensions du cache de fixation	H : 50 mm Dia : 150 mm

INFORMATIONS SUR LA GARANTIE

EN AUSTRALIE / NOUVELLE-ZÉLANDE – Veuillez vous référer à la DÉCLARATION DE GARANTIE séparée.

EN EUROPE – Si vous êtes un client européen, veuillez contacter le magasin où ventilateur a été acheté afin de faire valoir la garantie.



E

GRACIAS POR SU COMPRA

Gracias por la compra de lo último en ventiladores de techo de bajo consumo. Este ventilador utiliza una corriente CC (corriente continua) para conseguir un gran ahorro de energía y proporcionar un elevado volumen de desplazamiento de aire y una operación silenciosa.

Ahorro de energía - El motor CC incorpora la última tecnología en diseño de ventiladores. Su motor de alta eficiencia ahorra hasta un 65% más de energía que los ventiladores de techo tradicionales con motores CA.

Operación silenciosa - Este ventilador con motor CC está programado con una corriente estabilizada que reduce el ruido del motor eficientemente.

Baja temperatura de funcionamiento – Gestión efectiva de la alimentación CC para rebajar la temperatura de funcionamiento a menos de 50 °C. Con esto se consigue un motor más frío que el de un ventilador CA estándar y se aumenta la longevidad del motor.

Mando a distancia con 6 velocidades - Los ventiladores CA normales solo disponen de 3 velocidades. Este ventilador CC incluye un mando a distancia con 6 velocidades que le proporciona más opciones en cuanto al nivel de confort.

MEDIDAS DE SEGURIDAD

1. En Europa: Este aparato puede ser utilizado por niños a partir de los 8 años o personas con mermas físicas, sensoriales o mentales, o que no cuenten con suficiente experiencia o conocimientos, si son supervisados o han sido instruidos en el uso apropiado y seguro del aparato y entienden los peligros que acarrea. Las tareas de limpieza y mantenimiento no podrán ser realizadas por niños sin la debida supervisión.
2. En Australia: Este aparato no ha sido diseñado para ser utilizado por personas mayores o niños con mermas físicas, sensoriales o mentales, o que no cuenten con la experiencia o los conocimientos necesarios, a menos que sean supervisados o hayan sido instruidos en el uso apropiado del aparato por una persona responsable de su seguridad.
3. Se debe supervisar a los niños para asegurarse de que no juegan con el aparato.
4. Se debe incorporar un interruptor de desconexión onnipolar en el cableado fijo siguiendo el reglamento local sobre cableados eléctricos.

EN AUSTRALIA

ADVERTENCIA:

PARA UN USO SEGURO DE ESTE VENTILADOR, SE DEBE INCORPORAR UNA DESCONEXIÓN OMNIPOLAR EN EL CABLEADO FIJO CUMPLIENDO EL REGLAMENTO SOBRE CABLEADOS ELÉCTRICOS.

Tal como se establece en la cláusula 7.12.2 de la AS/NZS 60335-1 para cumplir con las medidas de seguridad eléctrica mínimas de este estándar.

Por favor, tome en consideración que la garantía quedará invalidada si la instalación se efectúa sin que haya incorporado un método de desconexión onnipolar en el cableado fijo siguiendo las normas de cableados eléctricos.

Ejemplo: Si un ventilador es conectado a un circuito que puede ser aislado a través de un interruptor de



seguridad omnipolar desde el cuadro de distribución, esto se considerará una desconexión omnipolar al circuito eléctrico del ventilador de techo y cumplirá con los requisitos de la cláusula 7.12.2 de la AS/NZS 60335.1.

Un interruptor monopolar que se activa con la señal recibida desde el mando a distancia por el receptor también debe estar incluido en el cableado y ubicado en la misma habitación que el ventilador de techo.

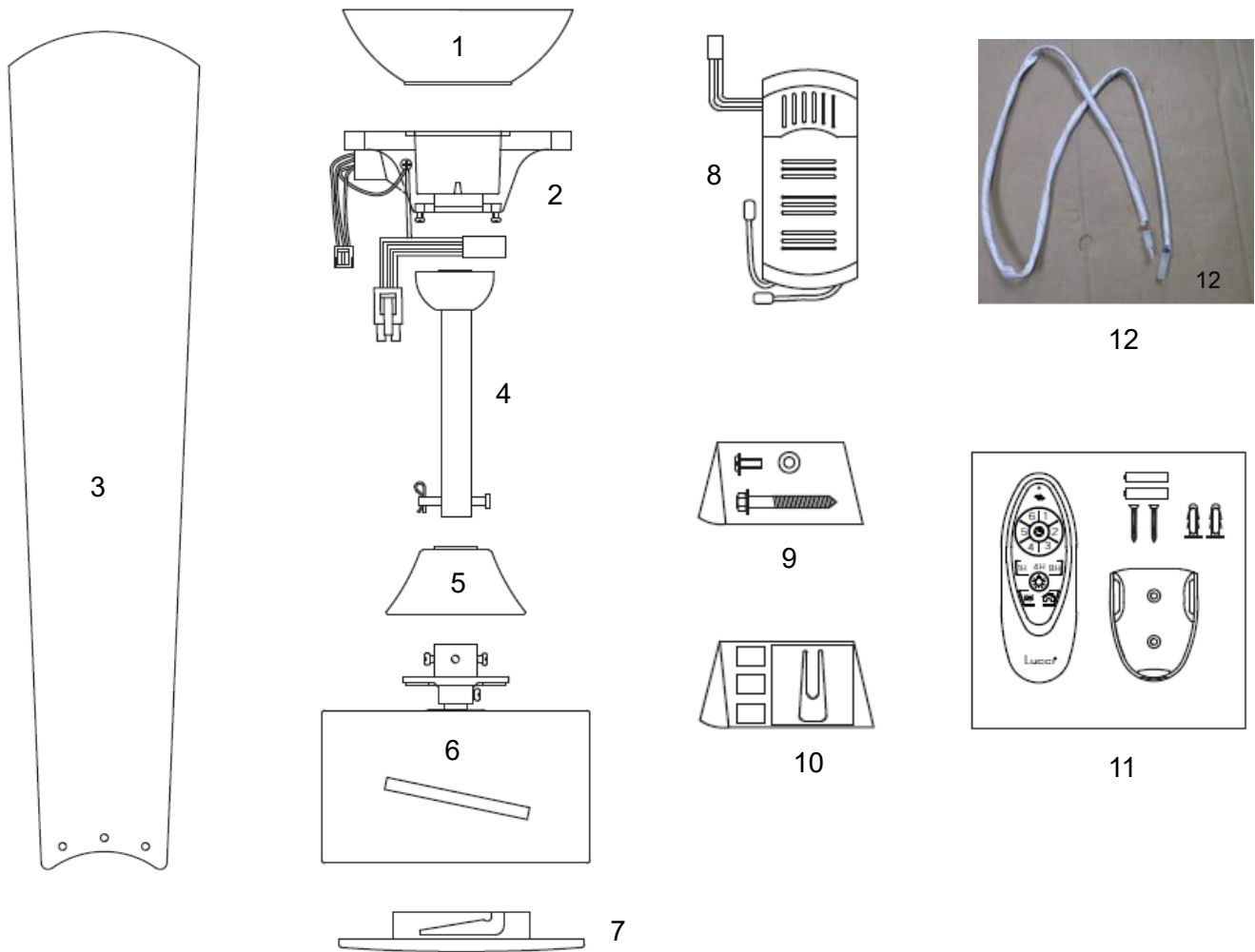


5. **■** No deseche los aparatos eléctricos junto con los desperdicios municipales sin clasificar; utilice los puntos de recogida o centros de reciclaje designados para este propósito. Póngase en contacto con la autoridad local para que le informen sobre los sistemas de recogida disponibles. De acabar en los vertederos o basureros, los aparatos eléctricos pueden desprender sustancias nocivas que podrían contaminar las capas freáticas y entrar en la cadena alimenticia, con el consecuente peligro para la salud y el bienestar.
6. La estructura a la que el ventilador debe montarse debe ser capaz de soportar 16 kg de peso.
7. El ventilador debe montarse de tal manera que las aspas estén del suelo a 2,3 m (en Europa) o 2,1 m (en Australia) como mínimo.
8. Este ventilador solamente es apto para uso en interiores. Montar el ventilador en un lugar donde esté expuesto al agua o la humedad es peligroso y puede aumentar el riesgo de daños, lesiones o descargas eléctricas, invalidando así la garantía.
9. Debe ser montado e instalado por un electricista acreditado.
10. ADVERTENCIA: Si se observa un movimiento inusual de oscilación o bamboleo, deje de usar el ventilador de techo inmediatamente y contacte con el fabricante, su agente de servicios o personas debidamente cualificadas.
11. El reemplazo de las piezas del sistema de suspensión de seguridad debe llevarlo a cabo el fabricante, su agente de servicios o personas debidamente cualificadas.
12. Los elementos para sujetarlo al techo, tales como ganchos u otros dispositivos, deberán fijarse con la suficiente firmeza como para sostener 4 veces el peso del ventilador de techo. El montaje del sistema de suspensión deberá efectuarlo el fabricante, su agente de servicios o personas debidamente cualificadas.



LISTA DE PIEZAS

- Desembale el ventilador de techo con cuidado. Saque todas las piezas y la tornillería.
- Deposite todos los componentes sobre una superficie lisa y asegúrese de que no falte ninguno antes de comenzar el montaje. Si falta alguna pieza, devuelva el producto completo al lugar donde realizó la compra para que lo examinen o reemplacen.
- Compruebe que el ventilador de techo no haya sufrido algún daño durante el transporte. Nunca utilice o instale un producto que parezca sufrir algún daño. Devuelva el producto completo al lugar donde realizó la compra para que lo examinen, reparen o reemplacen.
- Examine todas las piezas, que deberían incluir lo siguiente:



Image

- | | |
|---|--|
| 1 Florón x 1 | 7 Cubierta inferior x 1 |
| 2 Soporte x 1 | 8 Receptor de la señal remota x 1 |
| 3 Aspas x 3 | 9 Tornillos para el soporte y las aspas x 1 |
| 4 Tija x 1 | 10 Kit de balanceo x 1 set |
| 5 Embellecedor x 1 | 11 Conjunto del mando a distancia x 1 |
| 6 Motor del ventilador y acople de la tija x 1 | 12 Cable de extensión del aparato de iluminación |



INSTALACIÓN DEL SOPORTE

- El ventilador de techo debe instalarse en un lugar donde los extremos de las aspas queden a 300 mm como mínimo de las paredes y otros objetos.
- Con los dos tornillos largos suministrados, instale el soporte a una viga o una estructura del techo capaz de soportar, al menos, 16 kg de peso. Asegúrese de enroscar los tornillos 30 mm como mínimo en la estructura de soporte. (Imagen 2)

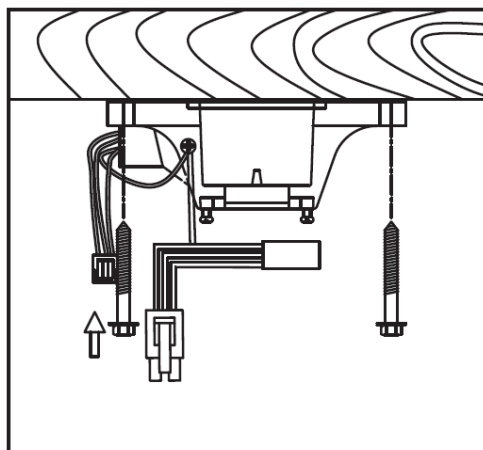
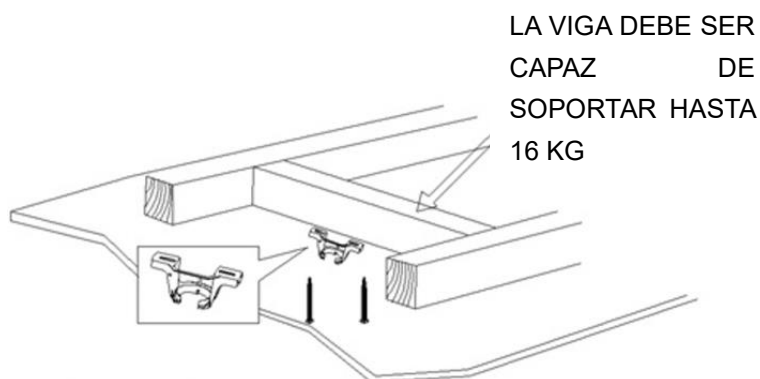


Imagen 2



LA VIGA DEBE SER
CAPAZ DE
SOPORTAR HASTA
16 KG

NOTA: ESTA IMAGEN SOLO SE MUESTRA A MODO DE REFERENCIA Y NO ES UNA REPRESENTACIÓN REAL DEL SOPORTE.

NOTA: Los tornillos incluidos del soporte solo son aptos para usarse con estructuras de madera. Para estructuras diferentes a la madera, DEBE utilizarse un tornillo del tipo adecuado. Asegúrese de que los tornillos sean los apropiados para la superficie de montaje y el entorno alrededor.

INSTALACIÓN EN UN TECHO INCLINADO

Este ventilador con sistema colgante puede ser instalado en un techo con una inclinación máxima de 10 grados. (Imagen 3)

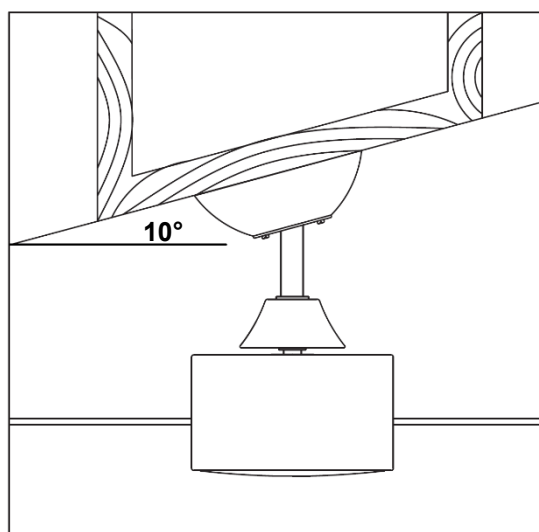


Imagen 3



INSTALACIÓN DEL VENTILADOR**INSTALACIÓN DE LA TIJA (Imagen 4)**

1. Quite la junta de bola y el pasador de espiga aflojando el tornillo de ajuste. Retire el pasador de bloqueo quitándole la chaveta. No se deshaga de estas piezas, dado que serán requeridas para volver a montarlo después.
2. Afloje los tornillos de la pieza de acople de la tija situada en el conjunto del motor del ventilador.
3. Introduzca con cuidado los cables del ventilador a través de la tija. Instale la tija en la pieza de acople del conjunto del motor del ventilador. Alinee los agujeros de la pieza de acople con los agujeros de la tija e instale el pasador de bloqueo y la chaveta.
4. Apriete los tornillos de fijación para asegurar la tija.

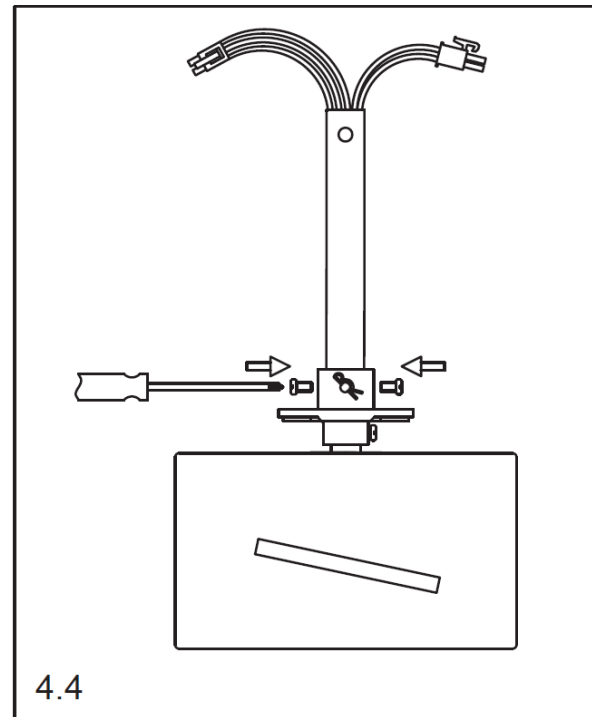
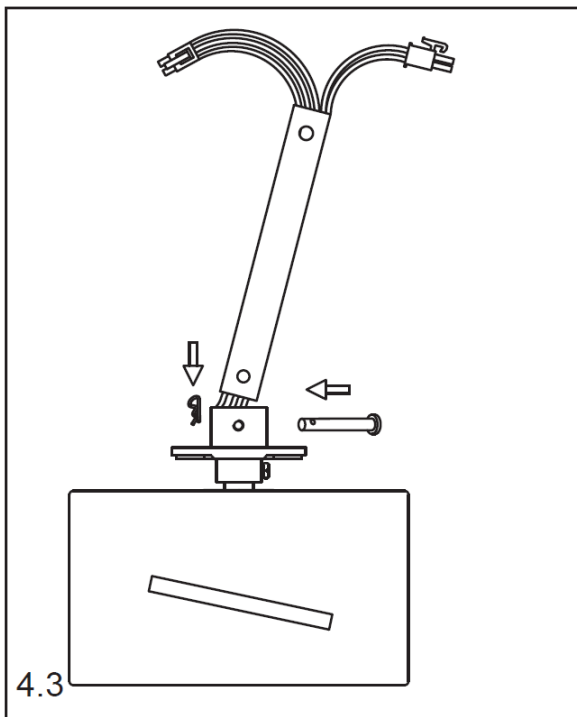
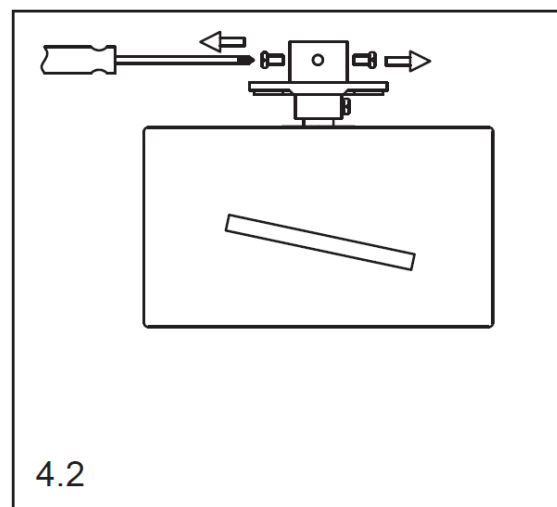
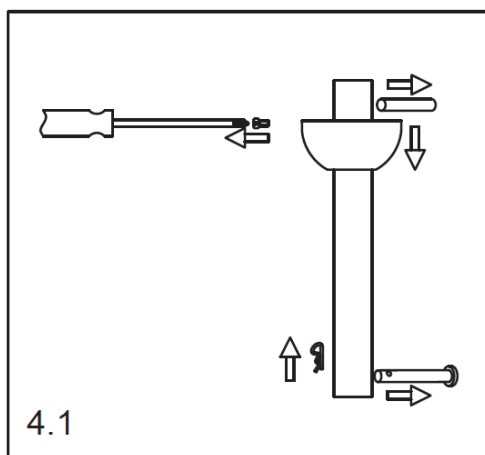


Imagen 4



INSTALACIÓN DEL COLGADOR (Imagen 5)

1. Inserte el embellecedor por la tija y cubra las partes unidas. Deslice con cuidado el florón por la tija.
2. Vuelva a instalar la junta de bola y el pasador de espiga en la tija y apriete el tornillo para asegurarlos.

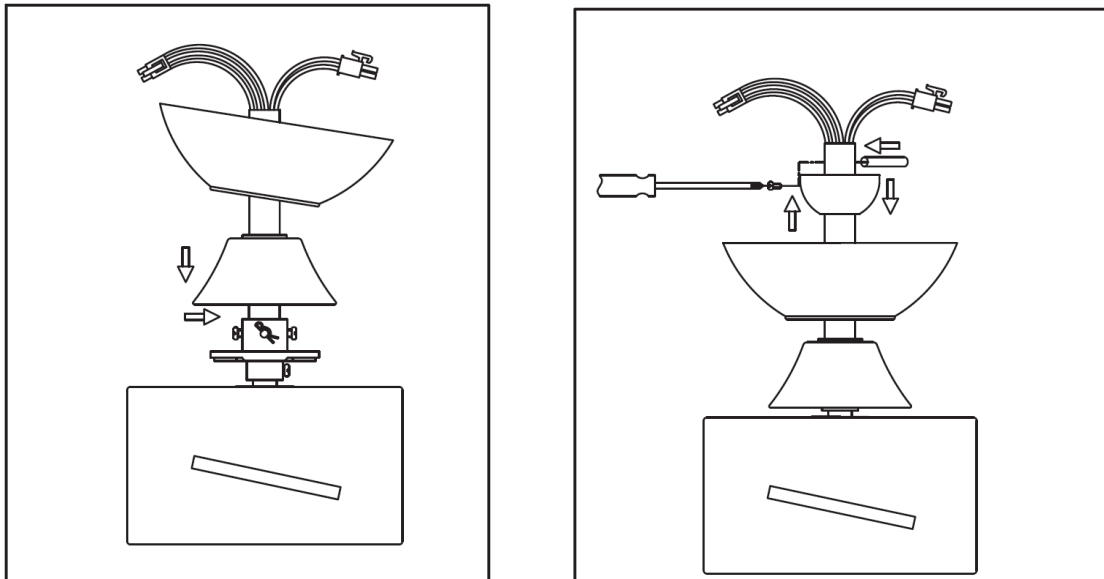


Imagen 5

INSTALACIÓN DE LAS ASPAS (Imagen 6)

1. Inserte las aspas en la conjunto giratorio del motor del ventilador.
2. Encaje el aspa a su soporte y alinee los agujeros.
3. Asegure el aspa al conjunto del motor del ventilador mediante 3 tornillos y sus arandelas correspondientes.

Asegúrese de que todos los tornillos estén igualmente apretados para hacer menos probable los alabeos o desequilibrios.

Tenga cuidado de no apretar en exceso los tornillos, ya que podría dañar las aspas

4. Repita el mismo procedimiento para las demás aspas

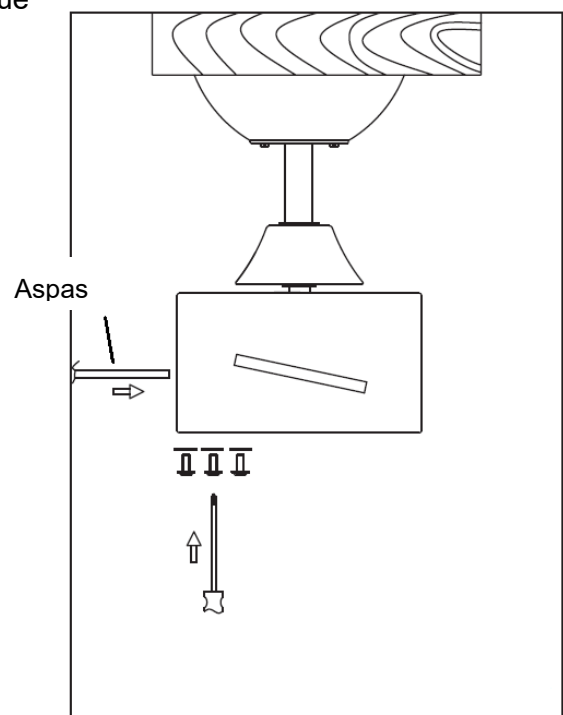


Imagen 6



INSTALACIÓN DEL KIT DE ILUMINACIÓN (Opcional y se vende por separado)

(Imagen 7)

- **NOTA:** El kit de iluminación debe ser instalado por un electricista acreditado.
- El kit de iluminación se vende por separado. (SKU# 210643, 210644, 210645).
- Conecte los cables del kit de iluminación a la parte del motor mediante un conector rápido.
- Fije el kit de iluminación a la parte del motor y gírelo en sentido horario para asegurarlo.
- Instale la lámpara GX53 al kit de iluminación. No exceda la potencia nominal máxima.

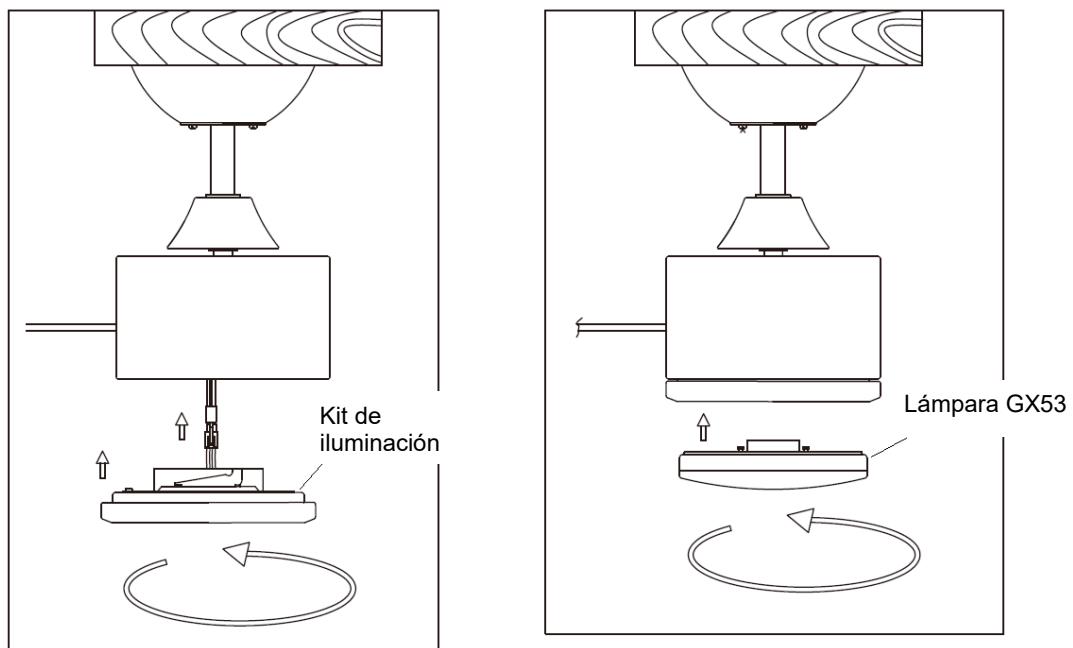


Imagen 7



PREPARE Y COMPLETE EL CABLEADO ELÉCTRICO --- DIAGRAMA DEL CABLEADO (FIG. 8)

ADVERTENCIA: POR SU PROPIA SEGURIDAD, TODAS LAS CONEXIONES ELÉCTRICAS DEBERÁ REALIZARLAS UN ELECTRICISTA ACREDITADO.

NOTA: DEBERÁ INCORPORARSE UN INTERRUPTOR DE DESCONEXIÓN OMNIPOLAR ADICIONAL EN EL CABLEADO FIJO.

NOTA: CUANDO HAYA DOS O MÁS VENTILADORES DE TECHO DE CORRIENTE CONTINUA INSTALADOS EN UN MISMO LUGAR, SERÁ NECESARIO UN INTERRUPTOR DE AISLAMIENTO PARA CADA VENTILADOR DE TECHO. ESTO ES REQUERIDO CUANDO SE PROGRAMA EL MANDO A DISTANCIA Y EL RECEPTOR PARA EMPAREJARLOS.

Asegúrese de que el cable de tierra del motor está conectado al único terminal «1» del diagrama siguiente. (Imagen 8)

1. Conecte el cable de fase a la terminal «L» de la regleta de conexiones del soporte.
2. Conecte el cable neutro de la corriente al terminal «N» de la regleta de conexiones del soporte.
3. Conecte el cable de tierra al terminal de tierra de la regleta de conexiones del soporte.
4. [Cuelgue el conjunto del ventilador en el soporte \(ver apartado «Cómo colgar el ventilador» e imagen 9\).](#)
5. Conecte el cable del soporte a la entrada del controlador/receptor del motor CC.
6. Conecte los cables de salida del controlador/receptor del motor CC a la entrada del motor del ventilador y el kit de iluminación.

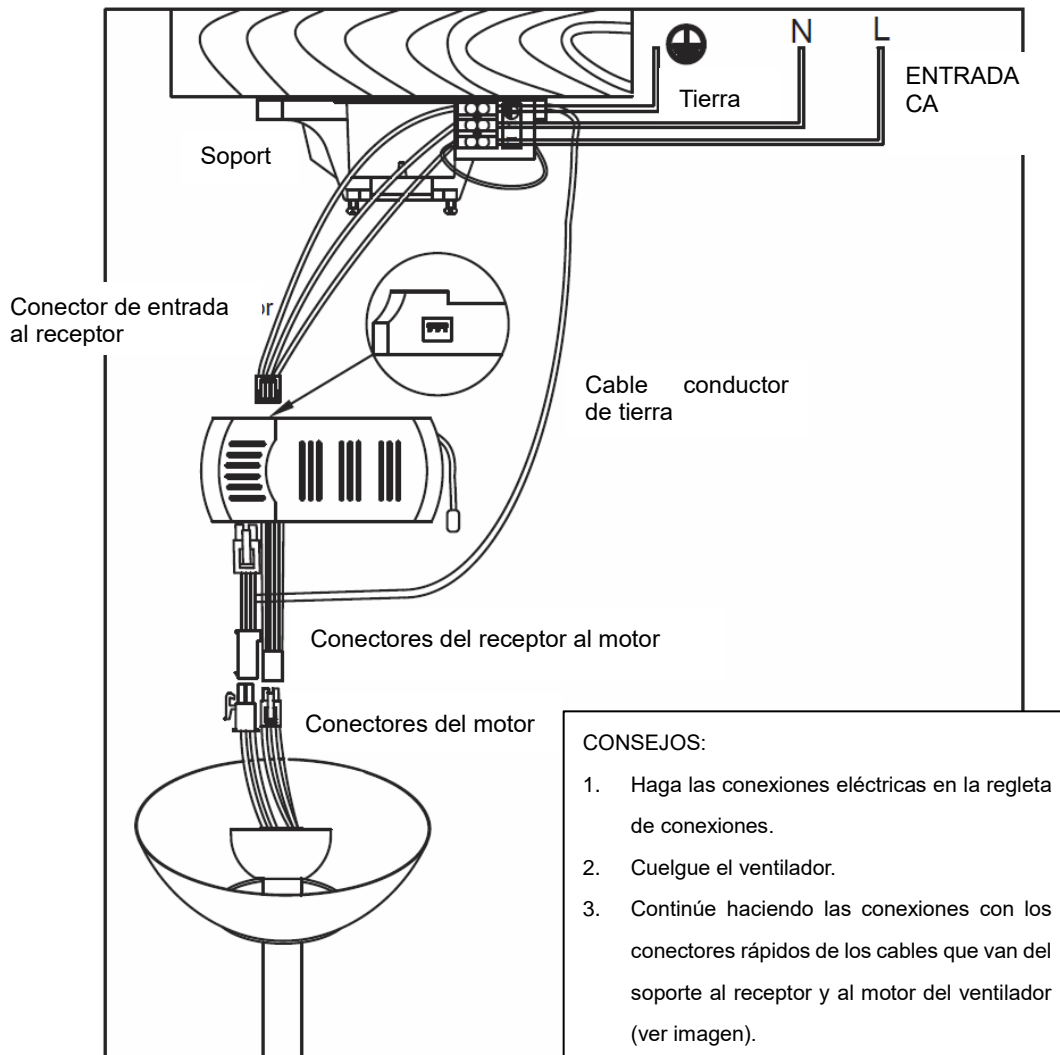


Imagen 8



CÓMO COLGAR EL VENTILADOR (Imagen 9)

Levante el conjunto del ventilador y móntelo en el soporte. Asegúrese de que la ranura de llave (A) del florón esté sobre el la clavija de llave (B) del soporte (C) para evitar que el ventilador se mueva cuando esté funcionando. (Imagen 9)

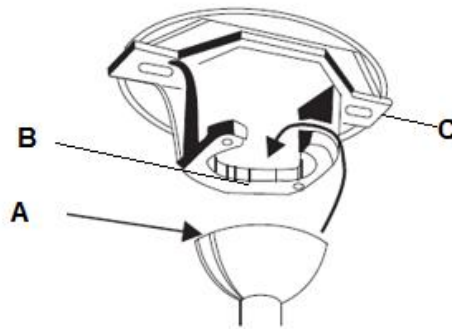


Imagen 9

CÓMO FINALIZAR LA INSTALACIÓN

INSTALACIÓN DEL FLORÓN (Imagen 10)

1. Asegúrese de que los conductores de tierra estén asegurados y conectados correctamente llevando a cabo una prueba de continuidad de tierra desde la pieza trasera de metal accesible del ventilador hasta el terminal de tierra en la regleta de conexiones del soporte.
2. Afloje los 2 tornillos de la parte inferior del soporte.
3. Inserte el florón hasta cubrir el soporte y alinee los orificios de llave del florón con los tornillos del soporte. Gire el florón hasta que llegue al tope de la sección más estrecha de los orificios de llave y asegúrelo apretando los dos tornillos. Evite dañar los cables eléctricos empalmados en los pasos anteriores.

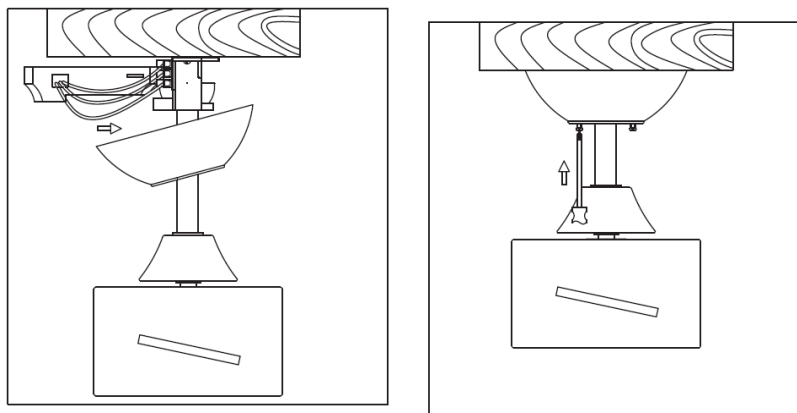


Imagen 10

INSTALACIÓN DE LA CUBIERTA INFERIOR (Imagen 11)

1. Instale la cubierta inferior al bloque del motor si no se requiere el kit de iluminación.

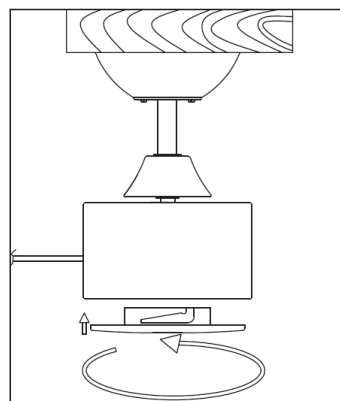
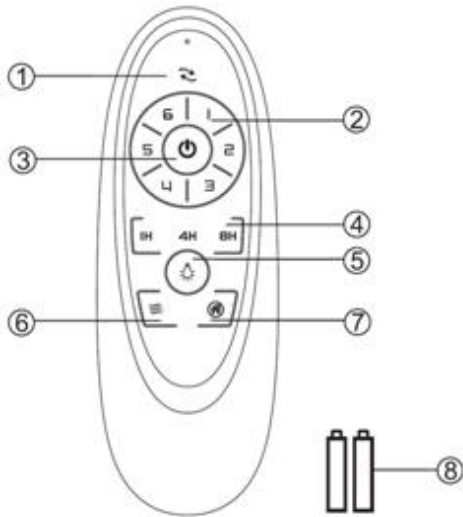


Imagen 11

CÓMO USAR SU VENTILADOR DE TECHO

MANDO A DISTANCIA (Imagen 12)

1. Quite el tornillo del compartimento de las pilas para abrirlo e instale 2 pilas AAA. Observe el sentido correcto de la polaridad (+/-) cuando instale las pilas y, a continuación, ponga de nuevo la tapa y asegúrela con el tornillo.
2. Pruebe el funcionamiento del mando a distancia manteniendo pulsado cualquier botón. Un led rojo se encenderá en la parte superior del mando para indicar que está siendo alimentado y que está listo para usarse con el ventilador.
3. Siga la guía siguiente para operar el ventilador y aprender sus funciones.



1. Dirección del ventilador (selector de sentido)
2. Velocidad del ventilador
3. Encender/apagar el ventilador
4. Control del tiempo del ventilador
5. Encender/apagar la luz
6. Viento natural
(La velocidad del ventilador cambiará automáticamente del 1 al 6 de manera cíclica)
7. Función antirrobo
(La luz se encenderá de 5 a 20 minutos cada 2 horas)
8. 2 pilas AAA de 1,5 V (incluidas)

Imagen 12

REEMPAREJAMIENTO DEL RECEPTOR Y EL MANDO A DISTANCIA DEL VENTILADOR

NOTA: El mando a distancia y el receptor vienen emparejados de fábrica.

Una vez instalado el ventilador de techo, NO será necesario emparejar el receptor del ventilador con el mando a distancia.

Si pierde el control del receptor y el mando a distancia después de la instalación o durante su uso, deberá emparejar de nuevo el receptor y el mando a distancia. A continuación se describen algunos problemas de funcionamiento y cómo solucionar el emparejamiento del receptor y el mando a distancia del ventilador CC.

Problemas:

- Pérdida de control: el ventilador solo funciona a alta velocidad después de instalarlo
- Pérdida de control - La función de cambio de sentido no funciona después de instalarlo
- Pérdida de control: el mando a distancia no se puede comunicar con el receptor

Solución:

- Apague la alimentación del ventilador de techo.
- Encienda la alimentación del ventilador de techo. En los 30 segundos siguientes al encendido, pulse el botón de encendido/apagado del mando durante 5 segundos. Se escuchará un aviso sonoro desde el receptor para indicar que el emparejamiento se ha efectuado correctamente.
- Encienda y seleccione una velocidad diferente del ventilador de techo para comprobar el funcionamiento del ventilador.



DESPUÉS DE LA INSTALACIÓN

NOTA: Los ventiladores de techo tienden a moverse cuando están funcionando debido a que están montados sobre una arandela de goma. Si el ventilador está montado rígidamente al techo, se podrían generar unas vibraciones excesivas. Unos pocos centímetros de movimiento es bastante aceptable y NO indica que haya un problema.

PARA REDUCIR EL BALANCEO DEL VENTILADOR: Compruebe que todos los tornillos que fijan el soporte del ventilador y la tija esté bien apretados.

KIT DE BALANCEO: Se incluye un kit de balanceo para equilibrar el ventilador de techo en la instalación inicial. Por favor, consulte las instrucciones sobre cómo usar el kit de balanceo. El kit de balanceo puede usarse para reequilibrar el ventilador si se desequilibra de nuevo. Guarde el kit de balanceo después de la instalación en caso de necesitarlo en un futuro.

RUIDO:

En los momentos de silencio (sobre todo por la noche), se pueden escuchar ruidos tenues ocasionalmente. Las ligeras fluctuaciones de la corriente y las señales de frecuencia eléctrica superpuestas en el control del agua caliente durante las horas no punta, puede causar cambios en el ruido del motor del ventilador. Esto es algo normal. Por favor, permita un periodo de adaptación de 24 horas, transcurridas las cuales la mayoría de los ruidos asociados con su nuevo ventilador deberán desaparecer.

La garantía del fabricante cubre defectos reales que puedan aparecer y NO quejas insignificantes como escuchar el ruido del motor: todos los motores son, hasta cierto punto, audibles.

CUIDADO Y LIMPIEZA

NOTA: Apague siempre el ventilador desde el interruptor de alimentación antes de llevar a cabo cualquier tarea de mantenimiento o limpieza.

- La limpieza de su ventilador de techo cada 6 meses es el único mantenimiento que se requiere. Utilice un cepillo blando o un paño que no deje pelusa para no arañar el acabado de pintura. Por favor, corte la corriente cuando haga esto.
- No remoje o sumerja el ventilador de techo en el agua u otros líquidos. Esto podría dañar el motor o las aspas y dar pie a posibles descargas eléctricas.
- Asegúrese de que el ventilador no entre en contacto con disolventes orgánicos o detergentes.
- Para limpiar las aspas del ventilador, pase solo un paño humedecido SIN disolventes orgánicos ni detergentes.
- El motor tiene un rodamiento con lubricación permanente, por lo que no es necesario engrasarlo.

MEDIDAS DE SEGURIDAD CON LAS PILAS

- **ADVERTENCIA** – Mantenga las pilas nuevas y usadas fuera del alcance de los niños.
- **PRECAUCIÓN** – No ingiera la pila: riesgo de quemadura química.
- Utilice siempre 2 pilas tipo AAA con el mando a distancia del ventilador de techo.
- Asegúrese de que las pilas estén instaladas en el sentido correcto de la polaridad.
- Para prevenir el funcionamiento en falso del ventilador de techo al instalar las pilas, desconéctelo de la corriente.
- Saque las pilas del producto cuando no lo vaya a utilizar por un largo periodo de tiempo.
- Las pilas deben retirarse del mando a distancia antes de desecharlo.
- Deseche las pilas agotadas inmediatamente y de una forma segura (para que no puedan ser recogidas por los niños). Las pilas pueden ser peligrosas aún. Póngase en contacto el organismo local para deshacerse de las pilas de una manera segura.
- Examine periódicamente el producto y asegúrese de que la tapa del compartimento de las pilas esté bien cerrada. Si el compartimento de las pilas no se cierra bien, deje de usar el producto y guárdelo en un lugar fuera del alcance de los niños.



- Si sospecha que alguna pila ha podido ser ingerida o introducida en alguna parte del cuerpo, solicite atención médica inmediatamente.
- Fugas de las pilas: Las pilas contienen sustancias químicas y deben ser tratadas como cualquier otro químico. Tome precauciones cuando manipule las fugas de químicos de las pilas. Las sustancias químicas de las pilas no deben acercarse a los ojos o ser ingeridas.

INFORMACIÓN TÉCNICA

Ventilador	Ventilador CC 52"
Modelos de ventilador / SKU#	LD-52"CL III / SKU# 210640, 210641, 210642
Tensión nominal	220-240 V~ 50 Hz
Potencia nominal (motor)	35 W
Potencia nominal (lámpara)	GX53, Máx.12 W
Pilas para el mando a distancia	2 x AAA
Peso	3,9 kg
Dimensiones del florón	Altura: 50 mm Ø: 150 mm

INFORMACIÓN SOBRE LA GARANTÍA

EN AUSTRALIA Y NUEVA ZELANDA – Por favor, consulte la DECLARACIÓN DE LA GARANTÍA que viene por separado.

EN EUROPA – Si es un cliente europeo, contacte con la tienda distribuidora donde adquirió el ventilador para los servicios de garantía.



I

GRAZIE PER L'ACQUISTO

Grazie per aver acquistato la più recente tecnologia in fatto di ventilatori a soffitto a risparmio energetico. Questo ventilatore funziona a corrente continua (CC), il che fornisce il vantaggio un'elevata efficienza energetica pur mantenendo un intenso movimento dell'aria e un funzionamento silenzioso.

Risparmio energetico: il motore CC è la più recente tecnologia in fatto di progettazione di ventilatori. Il motore altamente efficiente risparmia fino al 65% di energia in più rispetto ai ventilatori a soffitto con motori CA tradizionali.

Funzionamento silenzioso: questo motore per ventilatori CC è programmato con una corrente stabilizzata, la quale riduce in modo efficiente il rumore del motore.

Bassa temperatura di funzionamento: l'alimentazione CC viene gestita efficacemente, il che abbassa la temperatura di funzionamento del motore a meno di 50°C. Ciò fa sì che il motore resti molto più fresco rispetto a quello di un ventilatore CA standard e aumenta la vita utile del motore.

Telecomando a 6 velocità: i comuni ventilatori a soffitto CA solitamente hanno solo 3 velocità, mentre questo ventilatore CC è dotato di un telecomando a 6 velocità, il che fornisce una maggiore scelta riguardo al livello di comfort.

PRECAUZIONI DI SICUREZZA

1. In Europa: Questo apparecchio può essere utilizzato da bambini dagli 8 anni in su e da persone con ridotte capacità fisiche, sensoriali o mentali, o prive di esperienza e conoscenza, se ricevono supervisione o istruzioni riguardo all'uso sicuro dell'apparecchio e comprendono i potenziali rischi. La pulizia e la manutenzione non devono essere eseguite da bambini senza supervisione.
2. In Australia: Questo apparecchio non è pensato per essere utilizzato da persone (compresi i bambini) con ridotte capacità fisiche, sensoriali o mentali, o prive di esperienza e conoscenza, a meno che non ricevano supervisione o istruzioni riguardo all'uso dell'apparecchio da parte di una persona responsabile della loro sicurezza.
3. Sorvegliare i bambini per accertarsi che non giochino con l'apparecchio.
4. Deve essere incluso nel cablaggio fisso un interruttore onnipolare, secondo quanto previsto dalle norme di cablaggio locali.

IN AUSTRALIA

AVVERENZA:

PER UN USO SICURO DEL VENTILATORE, DEVE ESSERE INCLUSO NEL CABLAGGIO FISSO UN INTERRUOTORE ONNIPOLARE, SECONDO QUANTO PREVISTO DALLE NORME DI CABLAGGIO.

Come indicato nell'articolo 7.12.2 dell'AS/NZS 60335-1 per il rispetto della sicurezza elettrica minima di questo standard.

La garanzia sarà invalidata se l'installazione viene eseguita senza un dispositivo di disconnessione onnipolare incluso nel cablaggio fisso, secondo quanto previsto dalle norme di



cablaggio.

Esempio: Se il ventilatore è collegato a un circuito che può essere isolato attraverso un interruttore onnipolare di sicurezza sul quadro di comando, allora ciò viene considerato un dispositivo di disconnessione onnipolare nel circuito elettrico del ventilatore a soffitto, nel rispetto dei requisiti dell'articolo 7.12.2 dell'AS/NZS 60335.1.

Deve essere incluso nel cablaggio anche un interruttore unipolare nella parte attiva dell'ingresso del ricevitore del telecomando, e deve essere collocato nella stessa stanza del ventilatore a soffitto.



5. ■ Non smaltire apparecchi elettrici come rifiuti urbani indifferenziati, utilizzare le strutture di raccolta differenziata. Contattare il governo locale per maggiori informazioni riguardo ai sistemi di raccolta disponibili. Se gli apparecchi elettrici vengono smaltiti in discariche, delle sostanze pericolose possono penetrare nelle acque sotterranee e raggiungere la catena alimentare, danneggiando la salute e il benessere umani.
6. La struttura alla quale il ventilatore va montato deve essere in grado di sostenere un peso di 16 kg.
7. Il ventilatore deve essere montato in modo che le pale siano ad almeno 2,3 m al di sopra del pavimento in Europa e 2,1 m in Australia.
8. Questo ventilatore è destinato al solo uso in interni. È pericoloso montare il ventilatore in un luogo in cui sia soggetto all'acqua o all'umidità; ciò, inoltre, può aumentare il rischio di danni, lesioni o scosse elettriche, invalidando la garanzia.
9. Deve essere assemblato e installato da un elettricista professionista.
10. AVVERENZA: Se vengono osservate vibrazioni o oscillazioni insolite, smettere immediatamente di utilizzare il ventilatore a soffitto e contattare il fabbricante, un addetto all'assistenza autorizzato o da persone altrettanto qualificate.
11. La sostituzione dei pezzi del sistema di sospensione di sicurezza deve essere eseguita dal fabbricante, da un addetto all'assistenza autorizzato o da persone altrettanto qualificate.
12. Gli accessori di fissaggio per l'applicazione al soffitto, quali ganci o altri dispositivi, devono essere fissati con una forza sufficiente in grado di sostenere 4 volte il peso del ventilatore. Il montaggio del sistema di sospensione deve essere eseguito dal fabbricante, da un addetto all'assistenza autorizzato o da persone altrettanto qualificate.



ELENCO DEI PEZZI

- Rimuovere con cautela il ventilatore a soffitto dall'imballaggio. Rimuovere tutti i pezzi e gli accessori.
- Disporre tutti i componenti su una superficie piana e assicurarsi che non manchi nessun componente prima dell'assemblaggio. In caso di parti mancanti, riportare il prodotto completo presso il rivenditore affinché venga ispezionato o sostituito.
- Verificare che il ventilatore a soffitto non abbia subito danni durante il trasporto. Non usare/installare il prodotto se presenta danni di qualsiasi tipo. Riportare il prodotto completo presso il rivenditore affinché venga ispezionato, riparato o sostituito.
- Esaminare tutti i pezzi, che dovrebbero essere i seguenti:

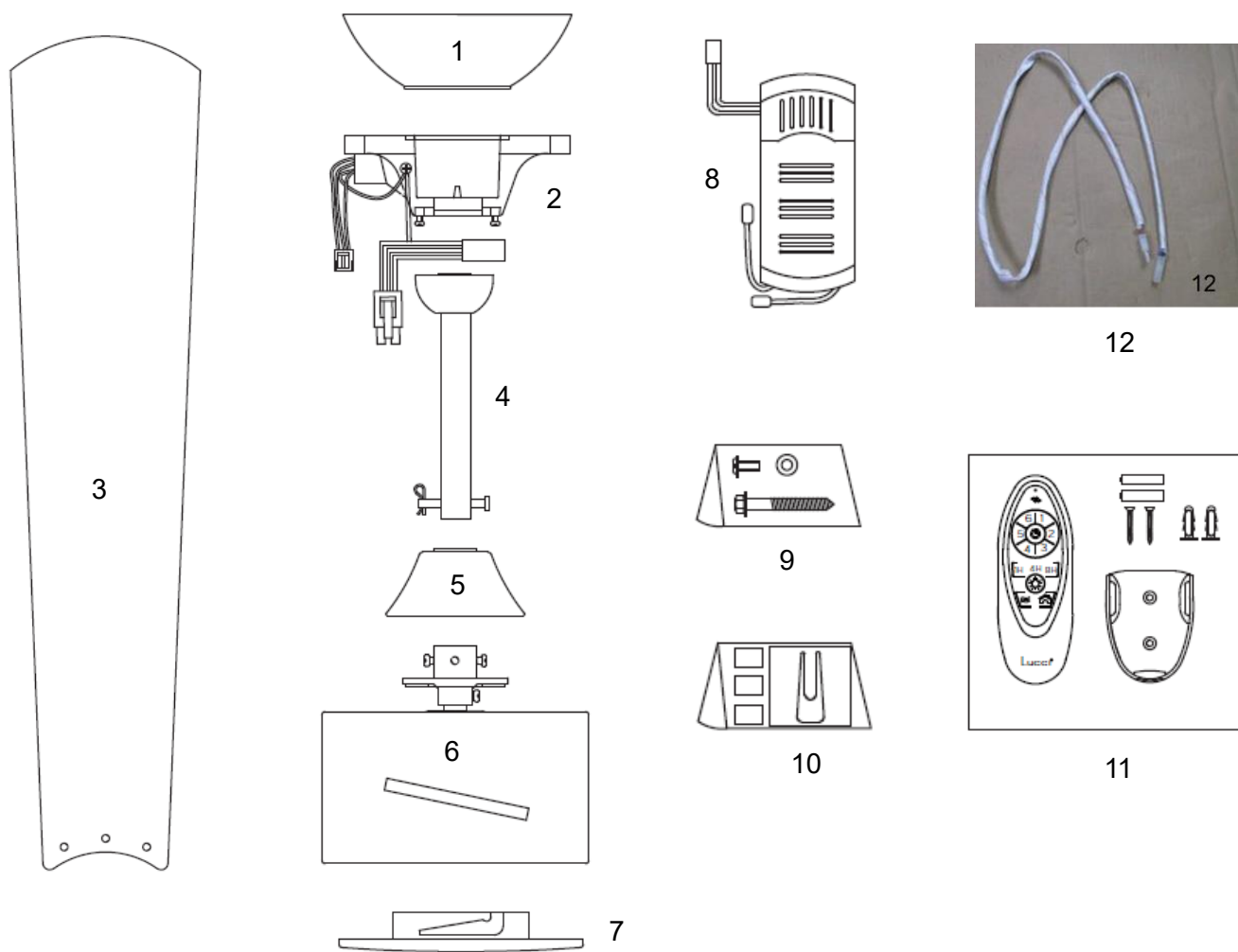


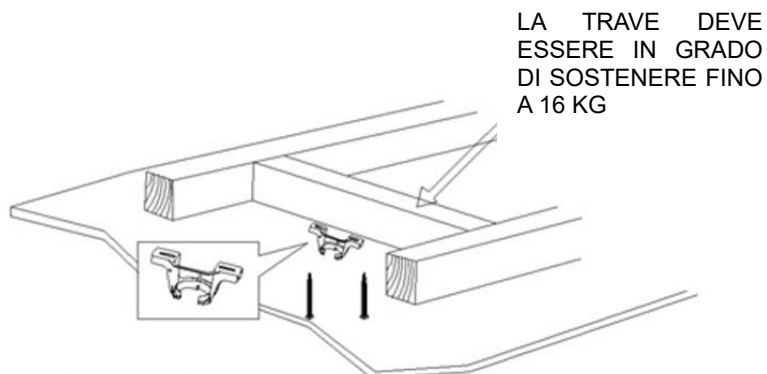
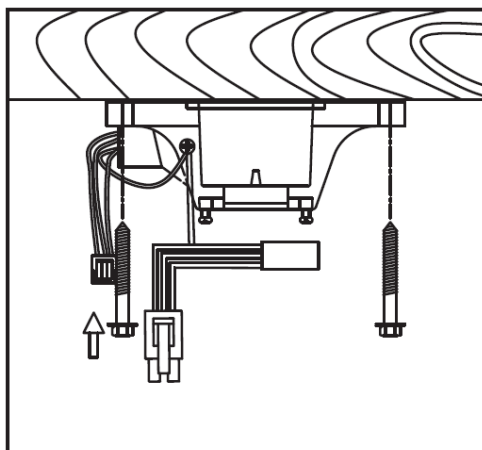
Fig. 1

- | | |
|---|---|
| 1 Calotta x 1 | 7 Copertura inferiore x 1 |
| 2 Supporto x 1 | 8 Ricevitore del telecomando x 1 |
| 3 Pale x 3 | 9 Viti per per il supporto e pale x 1 set |
| 4 Barra inferiore x 1 set | 10 Kit di bilanciamento x 1 set |
| 5 Copertura decorativa x 1 | 11 Telecomando x 1 |
| 6 Motore del ventilatore e alloggiamento di accoppiamento della barra inferiore x 1 | 12 Prolunga kit luce |



INSTALLAZIONE DEL SUPPORTO

- Il ventilatore a soffitto deve essere installato in modo che le estremità delle pale siano a 300 mm di distanza da pareti o oggetti adiacenti.
- Installare il supporto di fissaggio a una struttura o una trave del soffitto in grado di sostenere un carico di almeno 16 kg utilizzando le due viti lunghe fornite. Assicurarsi che almeno 30 mm della vite siano inseriti nel supporto. (Fig. 2)



NOTA: L'IMMAGINE È A SOLO SCOPO ILLUSTRATIVO E NON RAPPRESENTA IL SUPPORTO REALE.

Fig. 2

NOTA: Le viti di supporto fornite sono destinate esclusivamente a strutture in legno. Per strutture diverse dal legno, è **OBBLIGATORIO** usare viti di tipo appropriato. Assicurarsi che le viti usate siano adatte alla superficie di montaggio e all'ambiente circostante.

INSTALLAZIONE A SOFFITTO ANGOLATA

Questo sistema di fissaggio consente di installare il ventilatore al soffitto con un angolo massimo di 10 gradi. (Fig. 3)

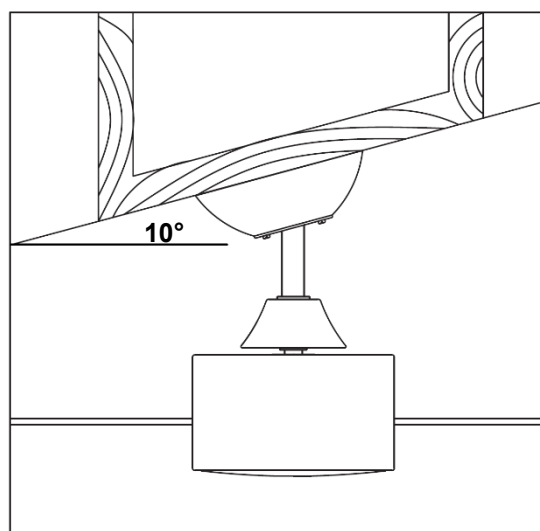


Fig. 3



INSTALLAZIONE DEL VENTILATORE

INSTALLAZIONE DELLA BARRA INFERIORE (Fig. 4)

1. Rimuovere il giunto sferico e la spina allentando la vite del set. Rimuovere il perno di blocco rimuovendo il perno di aggancio. Non gettare questi pezzi, ma conservarli, in quanto saranno necessari successivamente.
2. Allentare le viti del set sull'alloggiamento di accoppiamento della barra inferiore del gruppo motore.
3. Far passare con cautela i cavi attraverso la barra inferiore. Installare la barra inferiore nell'alloggiamento di accoppiamento della barra inferiore del gruppo motore. Allineare i fori della copertura di accoppiamento con quelli della barra inferiore e inserire il perno di blocco e quello di aggancio.
4. Fissare la barra inferiore serrando le viti del set.

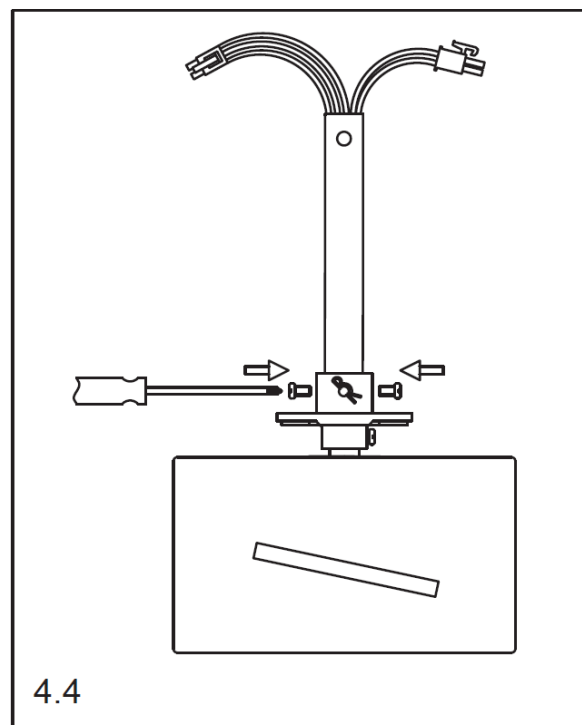
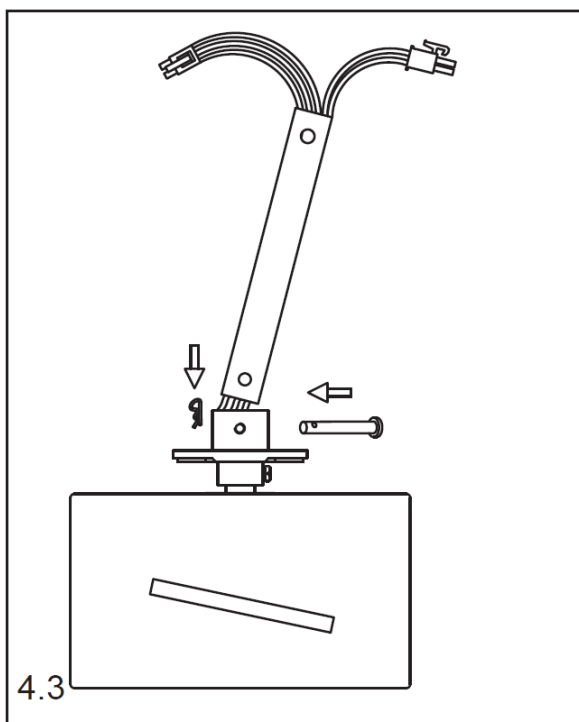
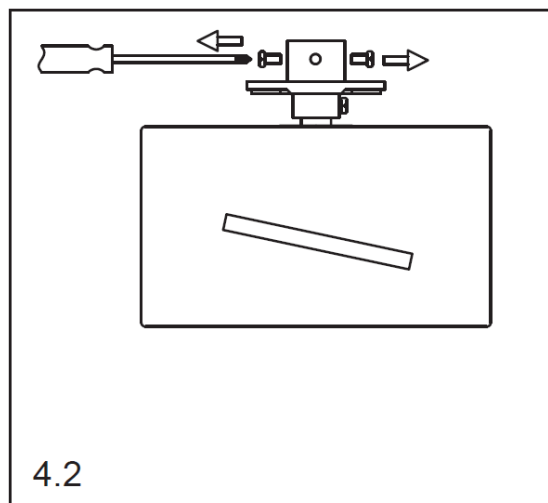
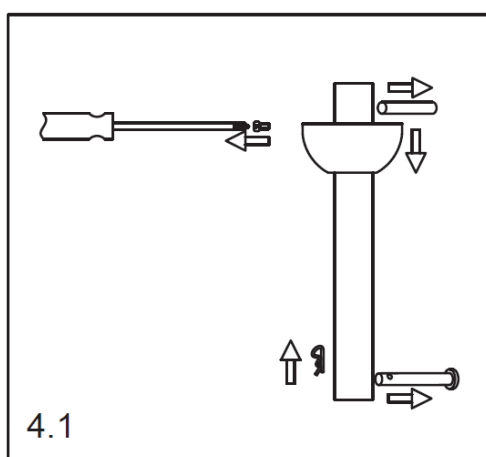


Fig. 4



INSTALLAZIONE DEL SUPPORTO DI FISSAGGIO (Fig. 5)

1. Installare la copertura decorativa sulla barra inferiore e coprire i pezzi di accoppiamento. Far scivolare con cautela la calotta sulla barra inferiore.
2. Reinstallare il giunto sferico e la spina sulla barra inferiore e fissare saldamente la vite del set.

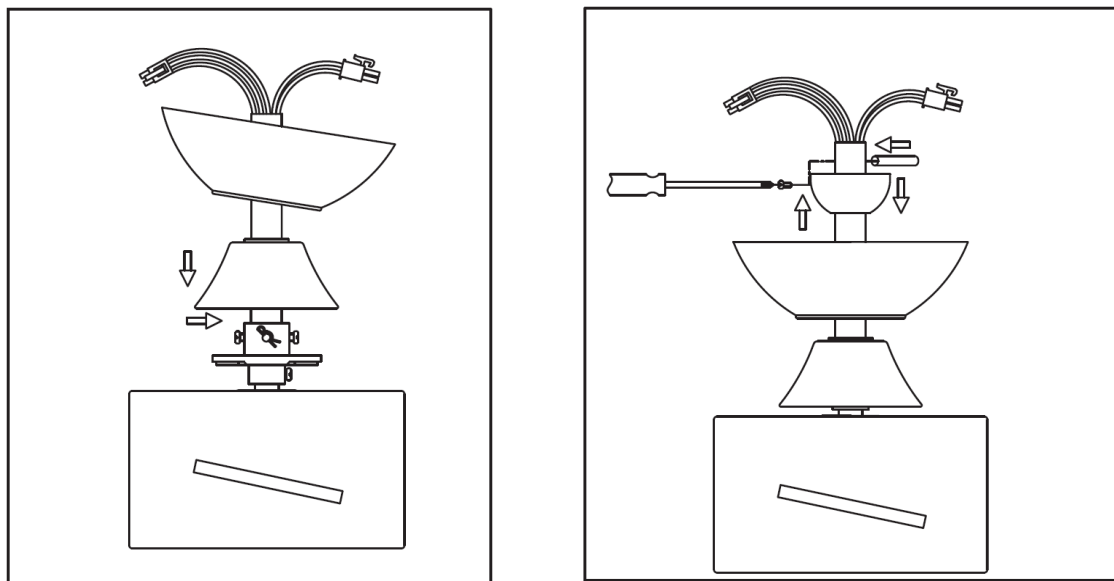


Fig. 5

INSTALLAZIONE DELLA PALA (Fig. 6)

1. Inserire la pala nella fessura dell'elemento rotante del gruppo motore.
2. Allineare e agganciare i fori della pala sul relativo supporto.
3. Fissare la pala al gruppo motore serrando le 3 viti e le rondelle della pala.
Assicurarsi che tutte le viti siano serrate in modo omogeneo per ridurre la possibilità di deformazioni o sbilanciamenti.
Fare attenzione a non serrare eccessivamente le viti per evitare di danneggiare le pale
4. Seguire la stessa procedura per le altre pale.

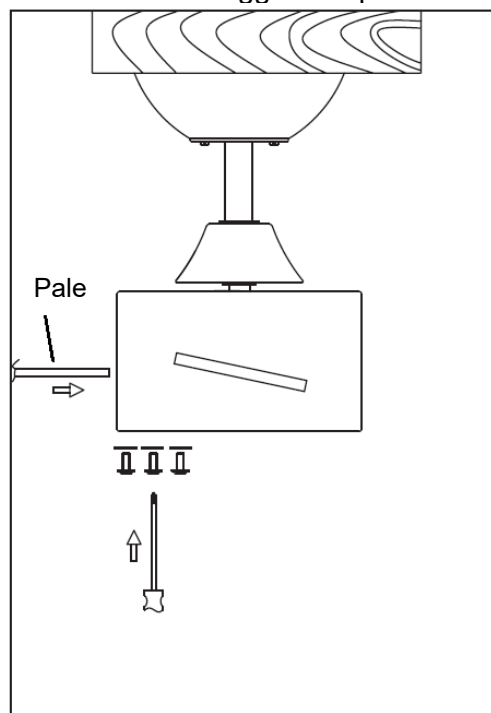


Fig. 6

INSTALLAZIONE DEL KIT LUCE (facoltativo e venduto separatamente) (Fig. 7)

- **NOTA:** Il kit luce deve essere installato da un elettricista professionista.
- Il kit luce è venduto separatamente. (SKU# 210643, 210644, 210645).
- Collegare i cavi del kit luce al motore attraverso il connettore rapido.
- Posizionare il kit luce sul motore, quindi fissarlo girando in senso orario.
- Installare la lampada GX53 sul kit luce. Non superare la potenza nominale massima.

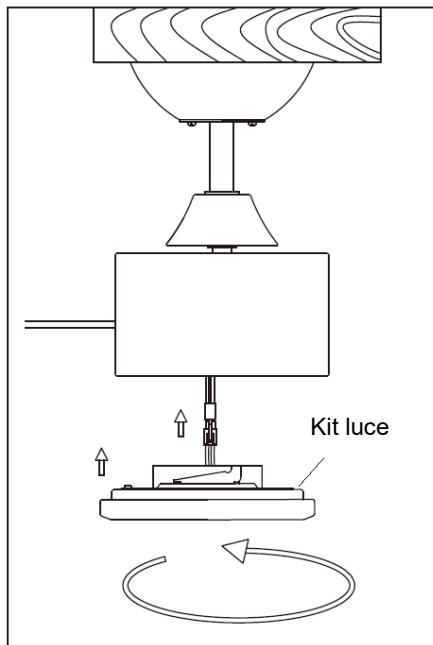


Fig. 6

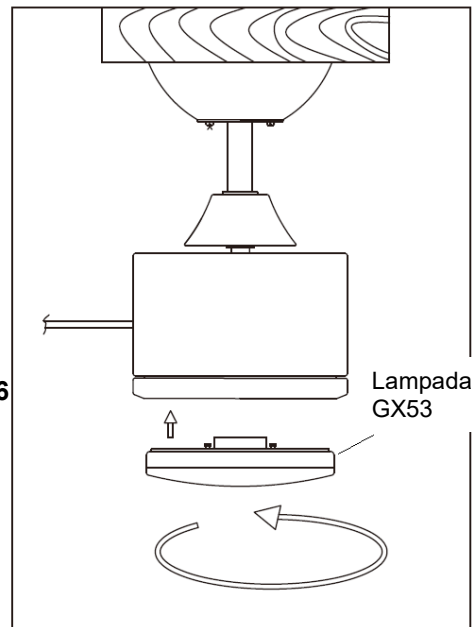


Fig. 7



PREPARE E COMPLETARE IL CABLAGGIO --- SCHEMA DI COLLEGAMENTO (FIG. 8)

AVVERENZA: PER MOTIVI DI SICUREZZA, TUTTI I COLLEGAMENTI ELETTRICI DEVONO ESSERE ESEGUITI DA UN ELETTRICISTA PROFESSIONISTA.

NOTA: DEVE ESSERE INCLUSO NEL CABLAGGIO FISSO UN INTERRUTTORE ONNIPOLARE AGGIUNTIVO.

NOTA: SE SONO PRESENTI DUE O PIÙ VENTILATORI A SOFFITTO CC INSTALLATI IN UN SOLO LUOGO, OCCORRE UN INTERRUTTORE DI ISOLAMENTO PER OGNI VENTILATORE. CIÒ È NECESSARIO DURANTE LA PROGRAMMAZIONE PER L'ABBINAMENTO TRA IL TELECOMANDO E IL RICEVITORE.

Assicurarsi che il cavo di terra del motore sia collegato alla morsettiera di terra singola "1", come indicato nel grafico qui sotto.

(Fig. 8)

1. Collegare il cavo di alimentazione sotto tensione al morsetto "L" della morsettiera sul supporto.
2. Collegare il neutro al morsetto "N" della morsettiera sul supporto.
3. Collegare il cavo di terra al morsetto di terra della morsettiera sul supporto.
4. [Fissare il gruppo ventilatore completo sul supporto.](#) (Sezione "Fissaggio del ventilatore" e Fig. 9)
5. Collegare i cavi di alimentazione dal supporto all'ingresso dell'elemento motore/ricevitore del motore CC.
6. Collegare i cavi di uscita dell'elemento motore/ricevitore del motore CC ai cavi di ingresso del motore del ventilatore e del kit luce.

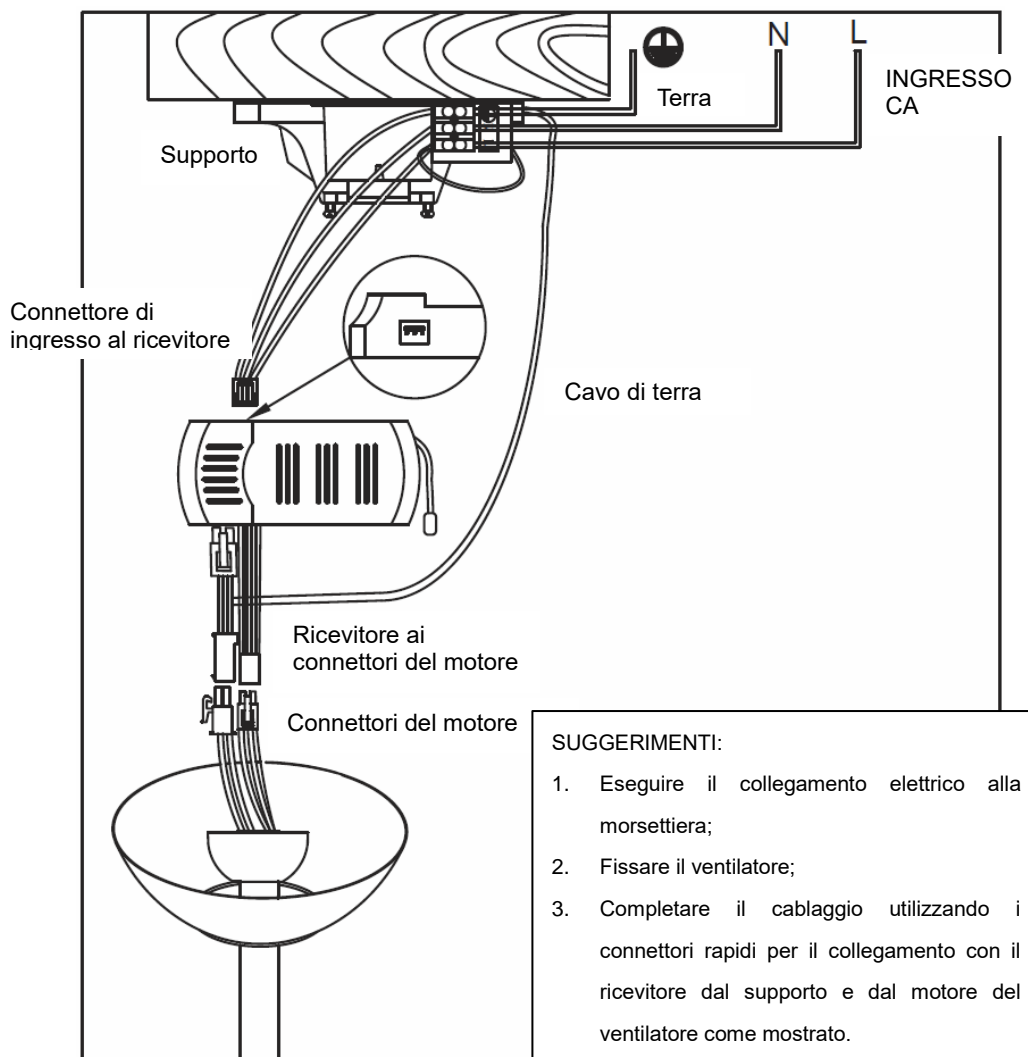


Fig. 8

FISSAGGIO DEL VENTILATORE (Fig. 9)

Sollevare il gruppo ventilatore sul supporto. Assicurarsi che la fessura (A) del giunto sferico sia posizionata sul perno (B) del supporto (C) per evitare che il ventilatore ruoti durante il funzionamento. (Fig. 9)

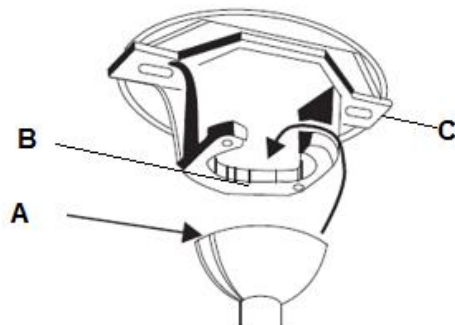


Fig. 9

COMPLETAMENTO DELL'INSTALLAZIONE**INSTALLAZIONE DELLA CALOTTA (Fig. 10)**

1. Assicurarsi che il cablaggio di terra sia fissato e corretto eseguendo un test di continuità di terra dal lato posteriore del corpo di metallo accessibile del ventilatore al morsetto di terra sulla morsettiera del supporto.
2. Allentare le 2 viti nella parte inferiore del supporto.
3. Far scivolare la calotta verso l'alto fino al supporto e allineare i fori sulla calotta con le viti sul supporto. Ruotare la calotta finché non si blocca in posizione con la sezione stretta dei fori e fissarla serrando le due viti. Fare attenzione a non danneggiare il cablaggio realizzato in precedenza.

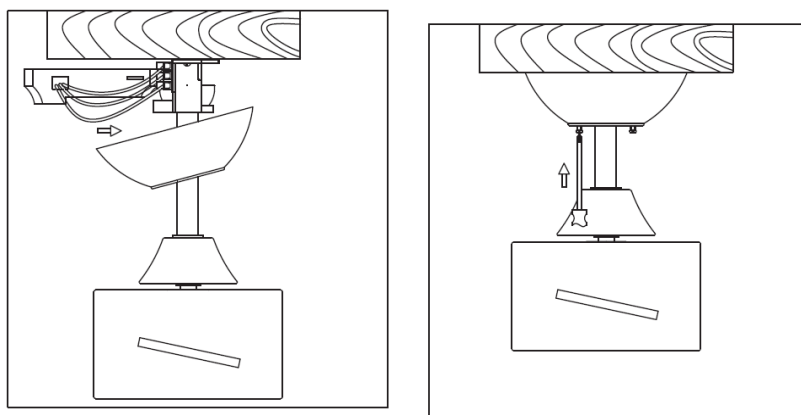


Fig. 10

INSTALLAZIONE DELLA COPERTURA INFERIORE (Fig. 11)

1. Installare la copertura inferiore sul motore se il kit luce non è necessario.

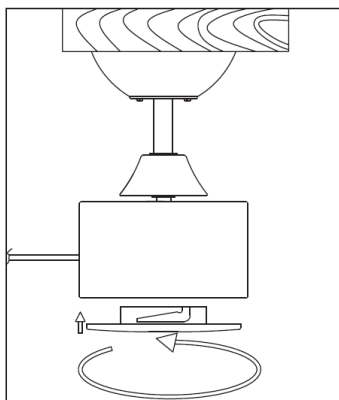
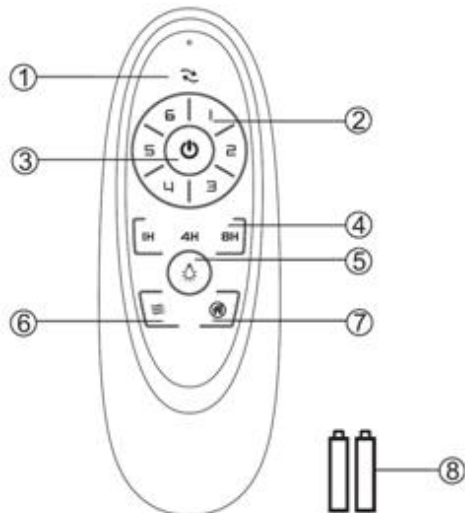


Fig. 11

USO DEL VENTILATORE A SOFFITTO

TELECOMANDO (Fig. 12)

1. Aprire la copertura del vano batterie rimuovendo la vite di sicurezza e inserire 2 batterie AAA. Osservare la polarità corretta (+/-) durante l'inserimento delle batterie, quindi riposizionare la copertura e fissarla con la vite.
2. Provare il telecomando tenendo premuto qualsiasi pulsante. Si accenderà un LED rosso nella parte superiore del telecomando per indicare che vi è alimentazione e che esso è pronto per controllare il ventilatore.
3. Seguire la guida sottostante per utilizzare il ventilatore e apprenderne le funzioni.



1. Direzione del ventilatore (tasto Inversione)
2. Velocità del ventilatore
3. Accensione/spegnimento del ventilatore
4. Controllo del tempo di funzionamento del ventilatore
5. Accensione/spegnimento della luce
6. Vento naturale
(Il controllo della velocità del ventilatore passa ciclicamente da 1 a 6)
7. Funzione antifurto
(luce accesa 5~20 minuti ogni 2 ore)
8. 2 batterie AAA da 1,5 V (incluse)

Fig. 12

RIPRISTINO DELL'ABBINAMENTO TRA IL RICEVITORE E IL TELECOMANDO DEL VENTILATORE

NOTA: L'abbinamento tra il telecomando e il ricevitore è stato effettuato presso la fabbrica.

Quando il ventilatore a soffitto viene installato, l'abbinamento tra il ricevitore e il telecomando NON è necessario.

Qualora si verifichi la perdita di controllo tra il telecomando e il ricevitore dopo l'installazione o durante l'uso, l'abbinamento può essere ripristinato. Di seguito, sono indicati i problemi e i metodi per ripristinare l'abbinamento tra il telecomando e il ricevitore del ventilatore a soffitto CC.

Problema:

- Perdita di controllo: il ventilatore funziona solo ad alta velocità dopo l'installazione
- Perdita di controllo: non è disponibile la funzione Inversione dopo l'installazione
- Perdita di controllo: il telecomando non riesce a comunicare con il ricevitore

Soluzione:

- Spegnerne l'alimentazione principale del ventilatore a soffitto.
- Accendere l'alimentazione principale del ventilatore a soffitto. Tenere premuto il pulsante di accensione/spegnimento sul telecomando per 5 secondi entro 30 secondi dopo l'accensione. Sarà emesso un segnale acustico dal ricevitore per indicare che il processo di abbinamento è stato completato.
- Accendere e selezionare una velocità diversa per il ventilatore a soffitto per verificarne il corretto funzionamento.



DOPO L'INSTALLAZIONE

NOTA: i ventilatori a soffitto tendono a muoversi durante il funzionamento perché sono fissati a una rondella in gomma. Se il ventilatore è fissato rigidamente al soffitto, vibrerà in modo eccessivo. Un movimento di pochi centimetri è normale e NON è sintomo di alcun malfunzionamento.

PER RIDURRE LE VIBRAZIONI DEL VENTILATORE: Controllare che le tutte le viti che fissano il supporto e la barra inferiore siano avvitate saldamente.

KIT DI BILANCIAMENTO: Il kit di bilanciamento incluso serve per bilanciare il ventilatore a soffitto durante l'installazione iniziale. Consultare le istruzioni per l'uso del kit di bilanciamento. Il kit di bilanciamento può essere usato per bilanciare nuovamente il ventilatore a soffitto in futuro. Conservare il kit di bilanciamento dopo l'installazione per uso futuro.

RUMOROSITÀ:

Quando l'ambiente è silenzioso (in particolare, durante le ore notturne), il ventilatore potrebbe produrre occasionalmente dei leggeri rumori. Leggere fluttuazioni dell'alimentazione elettrica e segnali elettrici di frequenza sovrapposti per il controllo dell'acqua calda nelle fasce orarie ridotte possono causare variazioni nel rumore del motore del ventilatore. È un fenomeno normale. La maggior parte dei rumori associati a un nuovo ventilatore scomparirà entro un periodo di assestamento di 24 ore.

La garanzia del produttore copre difetti reali e NON disturbi minori come il rumore del motore in funzione; tutti i motori elettrici producono rumore in una certa misura.

CURA E PULIZIA

NOTA: Disattivare sempre l'alimentazione elettrica prima di qualsiasi operazione di manutenzione o di cercare di pulire il ventilatore.

- Ogni 6 mesi, la pulizia periodica del ventilatore è l'unica operazione di manutenzione necessaria. Utilizzare una spazzola morbida o un panno privo di pelucchi per evitare di graffiare la finitura. Disattivare l'alimentazione elettrica prima della pulizia.
- Non immergere il ventilatore a soffitto in acqua o altri liquidi per evitare danni al motore o alle pale e il rischio di scosse elettriche.
- Assicurarsi che il ventilatore non entri in contatto con detersivi o solventi organici.
- Per pulire le pale del ventilatore, usare esclusivamente un panno pulito e umido **SENZA** detersivi o solventi organici.
- Il motore contiene un cuscinetto permanentemente lubrificato, quindi non è necessario aggiungere lubrificante.



PRECAUZIONI DI SICUREZZA PER LE BATTERIE

- **AVVERTENZA:** conservare batterie nuove e usate fuori dalla portata dei bambini.
- **ATTENZIONE:** non ingerire le batterie. Rischio di ustioni chimiche.
- Usare sempre 2 batterie di tipo AAA con il telecomando del ventilatore a soffitto.
- Inserire le batterie rispettando la corretta polarità.
- Per evitare un funzionamento non richiesto durante l'inserimento o la sostituzione delle batterie, il ventilatore a soffitto deve essere scollegato dalla rete elettrica.
- Rimuovere le batterie dal prodotto in previsione di un lungo periodo di inutilizzo.
- Le batterie devono essere rimosse dal telecomando prima dello smaltimento.
- Smaltire le batterie scariche immediatamente e in modo sicuro (affinché non possano essere usate dai bambini). Le batterie possono essere ancora pericolose. Contattare il comune per informazioni sullo smaltimento sicuro delle batterie.
- Ispezionare regolarmente il prodotto e assicurarsi che la copertura del vano batteria sia chiusa saldamente. Se il vano batteria non si chiude saldamente, non usare il prodotto e tenerlo fuori dalla portata dei bambini.
- Se si teme che le batterie siano state ingerite o siano penetrate all'interno del corpo, contattare immediatamente un medico.
- Perdite delle batterie: Le batterie contengono sostanze chimiche che devono essere trattate nel modo opportuno. Prendere le dovute precauzioni nel maneggiare sostanze chimiche fuoriuscite dalle batterie. Le sostanze chimiche delle batterie non devono essere posizionate in prossimità degli occhi o ingerite.

INFORMAZIONI TECNICHE

Ventilatore	Ventilatore CC 52"
Modelli ventilatore/SKU#	LD-52"CL III/SKU# 210640, 210641, 210642
Tensione nominale	220-240 V~ 50 Hz
Potenza nominale (motore)	35 W
Potenza nominale (lampada)	GX53, max.12 W
Batteria per il telecomando	2 x AAA
Peso	3,9 kg
Dimensioni calotta	H: 50 mm Dia: 150 mm

INFORMAZIONI SULLA GARANZIA

IN AUSTRALIA/NUOVA ZELANDA: fare riferimento alla DICHIARAZIONE DI GARANZIA separata.

IN EUROPA: gli acquirenti europei possono contattare il punto vendita per eventuali richieste di intervento in garanzia.



NL**BEDANKT VOOR UW AANKOOP**

Bedankt voor de aanschaf van de nieuwste energiebesparende plafondventilator. Deze ventilator werkt op gelijkstroom wat het voordeel heeft dat het apparaat bijzonder energiezuinig is met behoud van een hoog luchtvolume en een geruisloze werking.

Energiezuinig - De DC-motor is de nieuwste technologie op het gebied van ventilatorontwerp. De zeer efficiënte motor bespaart tot 65% energie in vergelijking met plafondventilatoren met traditionele wisselstroommotoren.

Stille werking - Deze DC-ventilatormotor werkt op een gestabiliseerde stroom die het motorgeluid efficiënt vermindert.

Lage bedrijfstemperatuur - De gelijkstroomvoeding zorgt ervoor dat de bedrijfstemperatuur van de motor niet hoger wordt dan 50°C. Dit resulteert in een veel koelere motor dan een standaard wisselstroomventilator en verhoogt bovendien de levensduur van de motor.

Afstandsbediening met 6 snelheden - Gewone AC-plafondventilatoren worden gewoonlijk geleverd met slechts 3 snelheden. Deze DC-ventilator heeft 6 snelheden en een afstandsbediening voor een grotere keuze aan comfort.

VEILIGHEIDSMATREGELEN

1. In Europa: Dit apparaat kan worden gebruikt door kinderen vanaf 8 jaar en personen met verminderde fysieke, zintuiglijke of mentale vermogens of een gebrek aan ervaring en kennis, indien zij onder toezicht staan of instructies hebben gekregen over het veilige gebruik van het apparaat en als zij de gevaren ervan begrijpen. Reiniging en onderhoud mag zonder toezicht niet door kinderen worden uitgevoerd.
2. In Australië: Dit apparaat is niet bedoeld om te worden gebruikt door personen (inclusief kinderen) met verminderde fysieke, zintuiglijke of mentale vermogens of een gebrek aan ervaring en kennis, tenzij zij onder toezicht staan of instructie hebben gekregen over het gebruik van het apparaat.
3. Kinderen moeten onder toezicht staan om er zeker van te zijn dat ze niet met het apparaat spelen.
4. Zorg dat de ventilator wordt aangesloten op een schakelaar waarbij alle polen worden onderbroken en volg de plaatselijke bedradingsvoorschriften.

IN AUSTRALIË**WAARSCHUWING:**

VOOR EEN VEILIG GEBRUIK VAN DEZE VENTILATOR MOET IN DE VASTE BEDRADING EEN SCHAKELAAR WORDEN GEBRUIKT WAARBIJ ALLE POLEN WORDEN ONDERBROKEN. VOLG BOVENDIEN DE LOKALE BEDRADINGSVOORSCHRIFTEN.

Zoals beschreven in punt 7.12.2 van AS/NZS 60335-1 om te voldoen aan de minimale elektrische veiligheid.

Let op: de garantie komt te vervallen als het apparaat niet is aangesloten met een volledige ontkoppeling van het stroomnet op alle polen, in overeenstemming met de bedradingsregels.


Voorbeeld: Als een ventilator is aangesloten op een circuit dat via een meerpolige schakelaar kan worden geïsoleerd, dan wordt dit beschouwd als een meerpolige scheiding van het elektriciteitsnet die voldoet aan de eisen van punt 7.12.2 van AS/NZS 60335.1.

Er moet ook een enkelpolige schakelaar worden aangebracht op de actieve



ontvangeringang van de afstandsbediening en deze moet in dezelfde ruimte als de plafondventilator worden geplaatst.

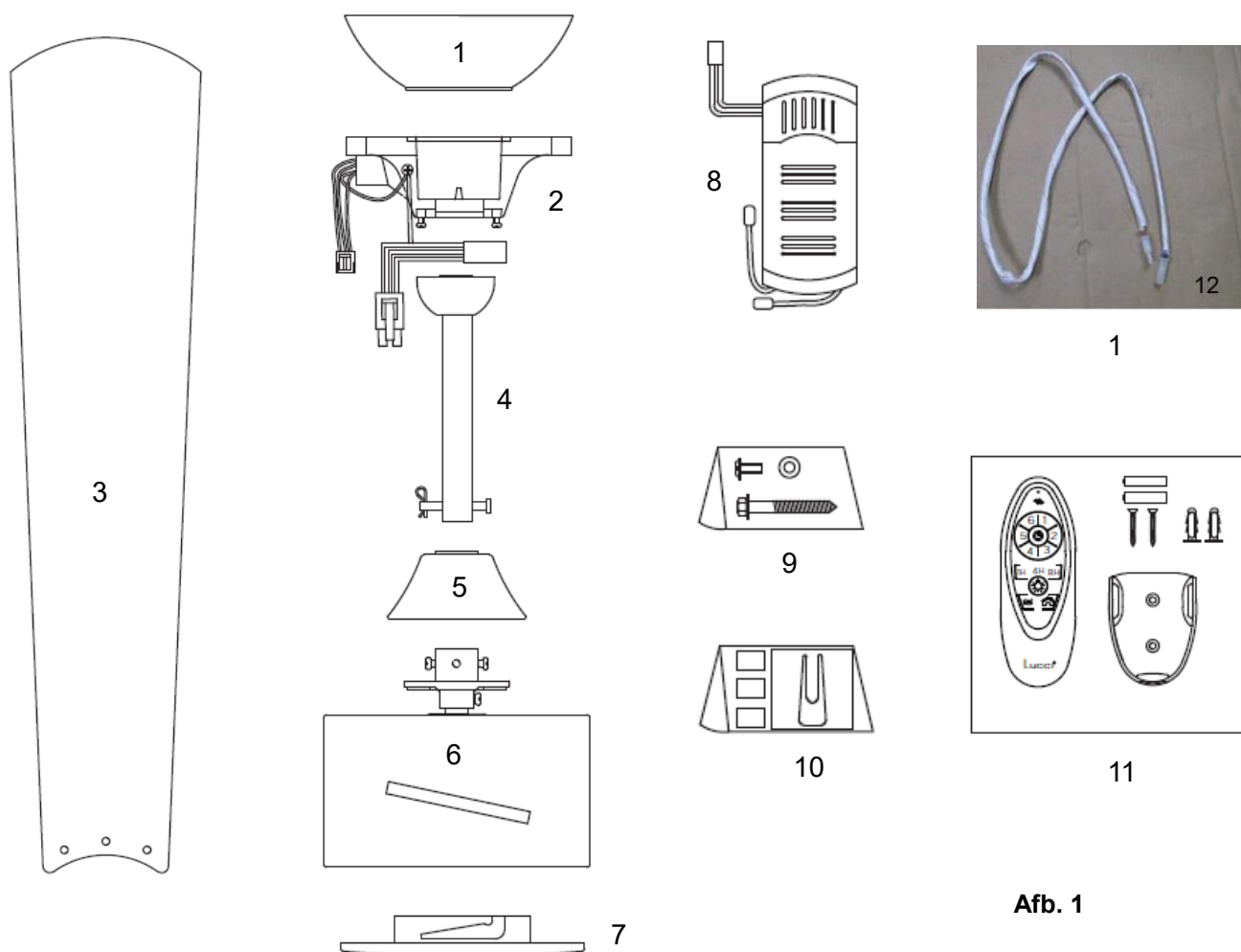


5.  Gooi elektrische apparaten niet weg als ongesorteerd huishoudelijk afval. Maak gebruik van aparte inzamelingsfaciliteiten voor elektrische apparatuur. Neem contact op met uw gemeente voor informatie over de beschikbare inzamelingsystemen. Als elektrische apparaten op stortplaatsen terechtkomen, kunnen gevaarlijke stoffen in het grondwater lekken en in de voedselketen terechtkomen, wat schadelijk is voor uw gezondheid en welzijn.
6. De (plafond-)constructie waarop de ventilator wordt gemonteerd moet een gewicht van 16 kg kunnen dragen.
7. De ventilator moet zo worden gemonteerd dat de bladen zich minstens 2,3 m boven de vloer (Europa) of minstens 2,1 m boven de vloer (Australië) bevinden.
8. Het product is uitsluitend bestemd voor gebruik binnenshuis. De montage van de ventilator op een plaats waar deze aan water of vocht onderhevig is, is gevaarlijk en kan het risico op schade, letsel of elektrische schokken vergroten en zal de garantie ongeldig maken.
9. Het apparaat moet worden gemonteerd en geïnstalleerd door een erkend elektricien.
10. **WAARSCHUWING:** Bij ongewone trillingen of oscillerende bewegingen moet het gebruik van de plafondventilator onmiddellijk worden gestaakt en moet contact worden opgenomen met de fabrikant, een servicetechnicus of een daartoe bevoegde persoon.
11. De vervanging van onderdelen van de veiligheidsophanging moet worden uitgevoerd door de fabrikant, een servicetechnicus of een daartoe bevoegde persoon.
12. De bevestigingsmiddelen voor het plafond, zoals haken of andere onderdelen, moeten voldoende stevig worden bevestigd om 4 maal het gewicht van de plafondventilator te kunnen weerstaan; de montage van het ophangstelsel moet worden uitgevoerd door de fabrikant, een servicetechnicus of een daartoe bevoegde persoon.



ONDERDELENLIJST

- Pak de plafondventilator voorzichtig uit. Verwijder alle onderdelen en hardware.
- Leg alle onderdelen op een vlakke ondergrond en zorg ervoor dat er geen onderdelen ontbreken voor de montage. Als er onderdelen ontbreken, stuurt u het volledige product terug naar de plaats van aankoop voor inspectie of vervanging.
- Controleer of de plafondventilator tijdens het transport is beschadigd. Bedien/installeer geen product dat op welke wijze dan ook beschadigd lijkt te zijn. Stuur het beschadigde product terug naar de plaats van aankoop voor inspectie of vervanging.
- Bestudeer alle onderdelen. U zou het volgende moeten hebben:



Afb. 1

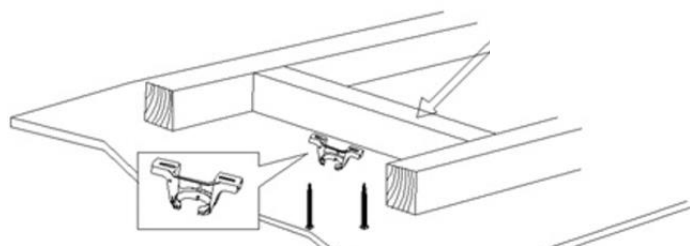
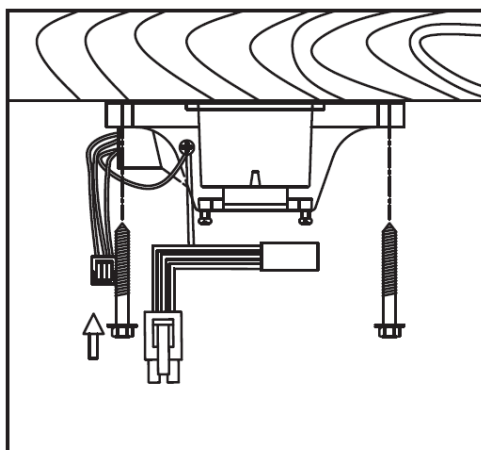
- | | |
|---|---|
| 1 Overkapping x 1 | 7 Onderplaat x 1 |
| 2 Montagebeugel x 1 | 8 Ontvanger afstandsbediening x 1 |
| 3 Bladen x 3 | 9 Schroeven voor montagebeugel & bladen x 1 set |
| 4 Onderstang x 1 set | 10 Balanceringsset x 1 set |
| 5 Decoratieve afdekking x 1 | 11 Afstandsbedieningset x 1 |
| 6 Ventilatormotor & onderstang
koppelingsbehuizing x 1 | 12 Lichtset verlengkabel |



INSTALLATIE VAN DE MONTAGEBEUGEL

- De plafondventilator moet zodanig worden geïnstalleerd dat het uiteinde van de bladen minstens 300 mm verwijderd is van het dichtstbijzijnde object of de muur.
- Monteer de ophangbeugel met twee lange meegeleverde schroeven aan een plafondbalk of een stevig punt aan het plafond dat minstens 16 kg kan dragen. Zorg ervoor dat ten minste 30 mm van de schroef in het plafond wordt gedraaid. (afb. 2)

BALK MOET TOT 16
KG KUNNEN
DRAGEN



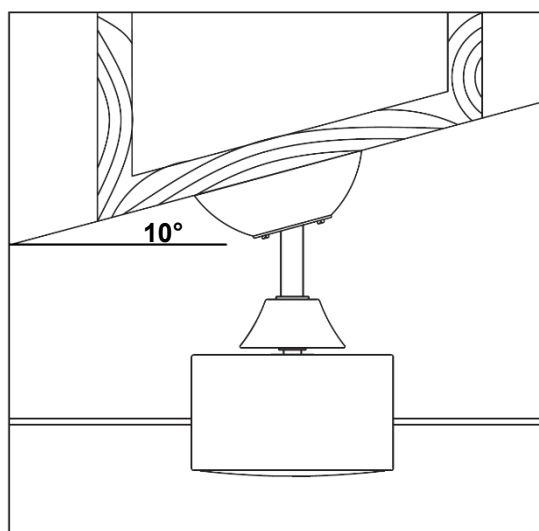
OPMERKING: DEZE AFBEELDING GELDT ALLEEN ALS
VOORBEELD EN GEEFT NIET DE EIGENLIJKE BEUGEL
WEER.

Afb. 2

OPMERKING: De meegeleverde beugelschroeven zijn alleen voor gebruik met houten constructies. Voor andere constructies dan hout moet het juiste schroeftype en eventueel pluggen worden gebruikt. Controleer of de gebruikte schroeven geschikt zijn voor het montageoppervlak.

PLAATSING ONDER EEN HOEK

Dit ventilatorophangstelsel ondersteunt een plaatsing onder een hoek van maximaal 10 graden. (afb. 3)

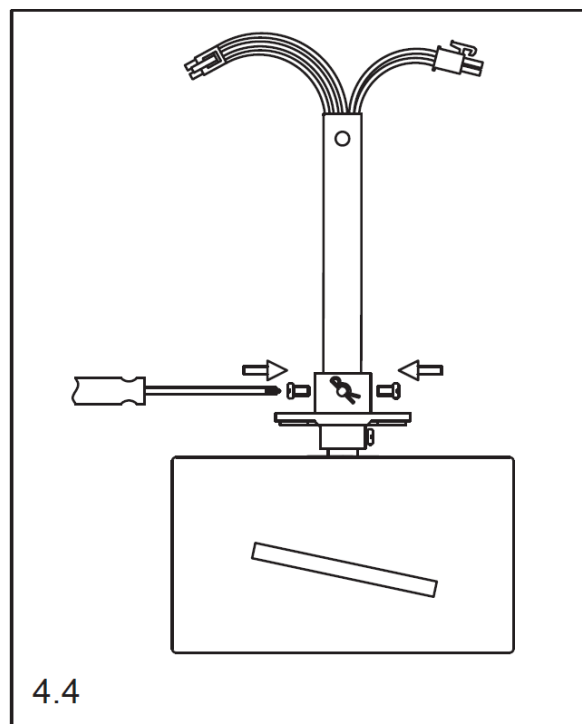
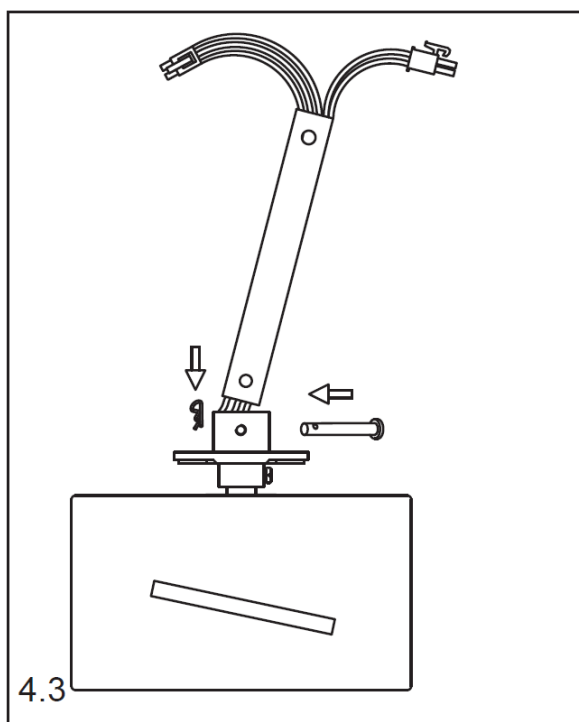
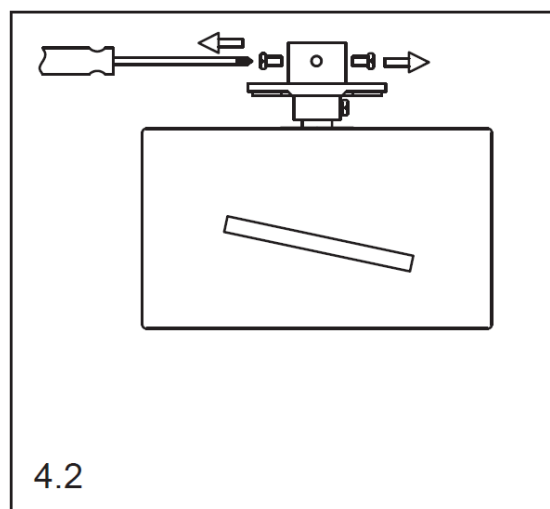
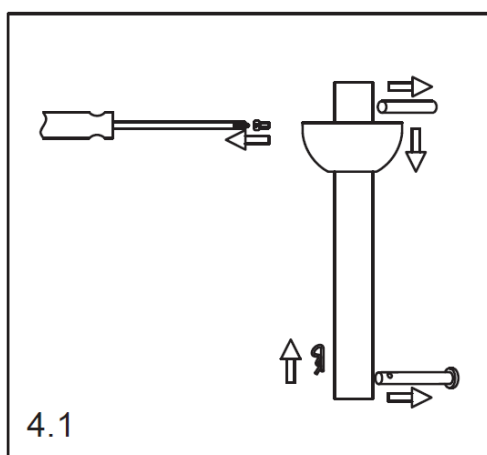


Afb. 3



INSTALLATIE VAN DE VENTILATOR**INSTALLATIE VAN DE ONDERSTANG (afb.4)**

1. Verwijder het kogelgewricht en de deuvelpen door de stelschroef los te draaien. Verwijder de borgpen door de koppelingsspen te verwijderen. Gooi deze onderdelen niet weg, ze moeten later weer in elkaar gezet worden.
2. Draai de stelschroeven op het onderstangkoppelingshuis van de ventilatormotor los.
3. Voer de ventilatordraden voorzichtig door de onderstang naar boven. Monteer de onderstang in het onderstangkoppelingshuis van de ventilatormotor. Lijn de gaten in het onderstangkoppelingshuis uit met de gaten in de onderstang en monteer de borgpen en de koppelingsspen.
4. Zet de onderstang vast door de stelschroeven vast te draaien.

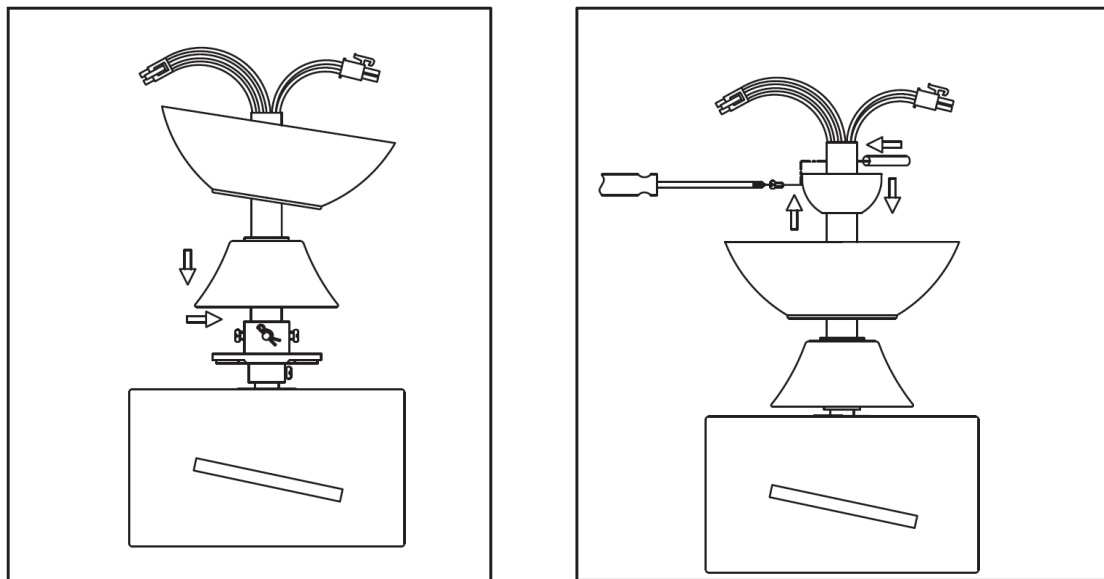


Afb. 4



INSTALLATIE VAN DE HANGER (afb.5)

1. Monteer de decoratieve afdekking op de onderstang en bedek de koppelingsdelen. Schuif de overkapping voorzichtig op de onderstang.
2. Plaats het kogelgewricht en de deuvelpen weer terug op de onderstang en zet deze vast door de stelschroef aan te draaien.



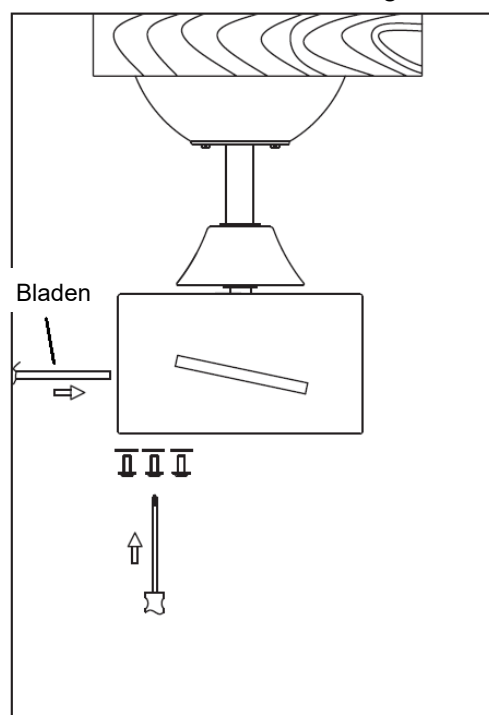
Afb. 5

INSTALLATIE VAN DE BLADEN (afb.6)

1. Steek het blad in de sleuf van het roterende deel van de ventilatormotor.
2. Lijn de gaten van het blad uit met de gaten van de beugel.
3. Bevestig het blad aan de ventilatormotor door de 3 bladschroeven en ringen aan te draaien.
Zorg ervoor dat alle schroeven gelijkmatig zijn aangedraaid om de kans op kromtrekken of uitbalanceren te verkleinen.

Let erop dat u de schroeven niet te vastdraait, omdat dit de bladen kan beschadigen

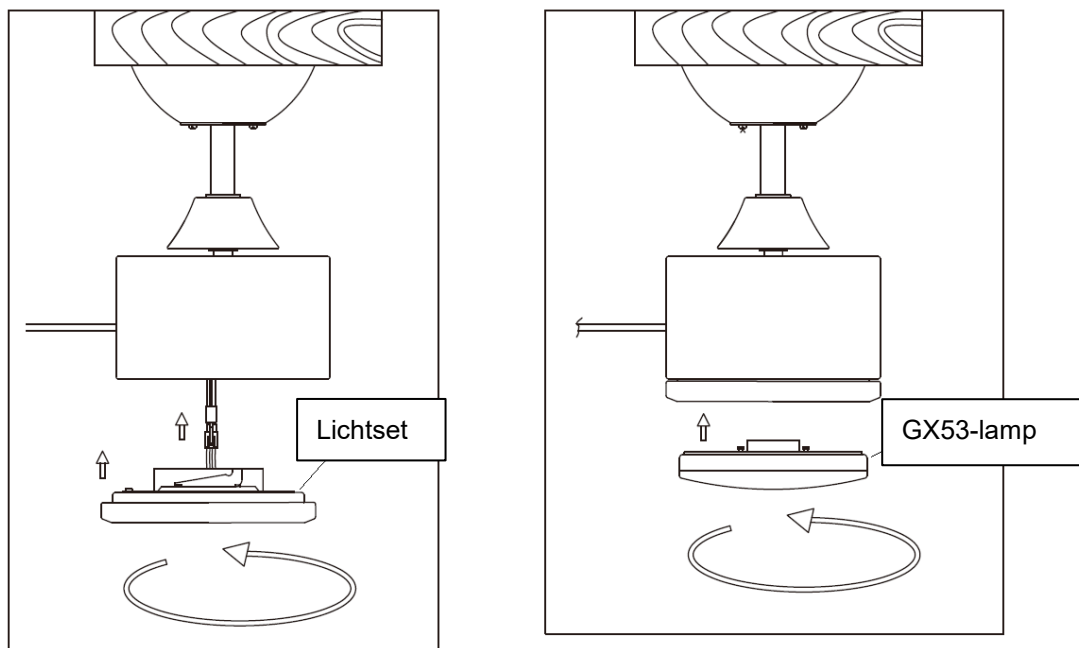
1. Herhaal hetzelfde proces voor de andere bladen.



Afb. 6

INSTALLATIE VAN LICHTSET (Optioneel en afzonderlijk verkocht) (afb.7)

- **OPMERKING:** De lichtset moet worden geïnstalleerd door een erkend elektricien.
- De lichtset wordt apart verkocht. (SKU# 210643, 210644, 210645).
- Sluit de draden van de lichtset via de snelkoppeling aan op het motorgedeelte.
- Bevestig de lichtset op het motorgedeelte en zet deze vervolgens vast door deze met de klok mee te draaien.
- Installeer de GX53-lamp in de lichtset. Zorg dat u het maximale vermogen niet overschrijdt.



Afb. 7



DE ELEKTRISCHE BEDRADING VOORBEREIDEN --- BEDRADINGSSCHEMA (afb. 8)

WAARSCHUWING: VOOR UW VEILIGHEID MOETEN ALLE ELEKTRISCHE AANSLUITINGEN WORDEN UITGEVOERD DOOR EEN ERKEND ELEKTRICIEN.

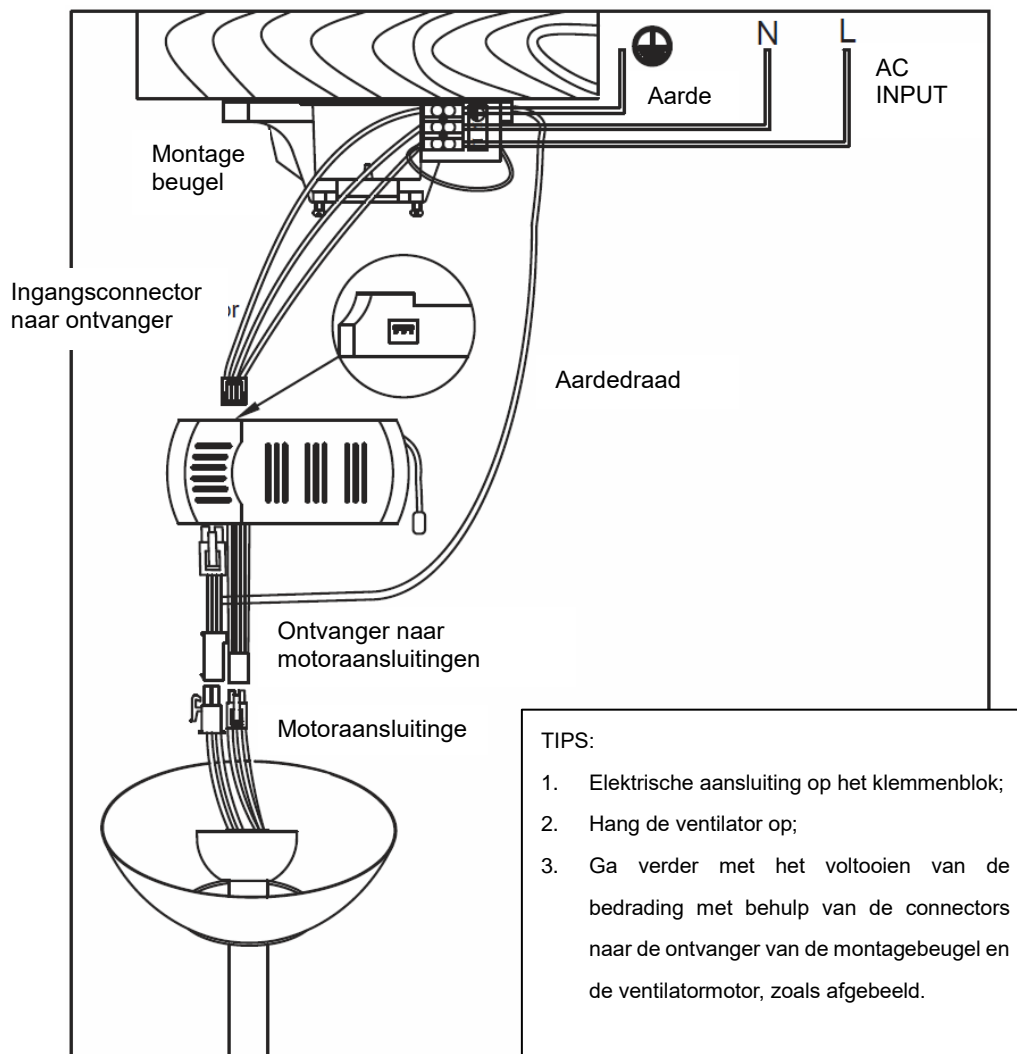
OPMERKING: IN DE VASTE BEDRADING MOET EEN EXTRA MEERPOLIGE SCHEIDINGSSCHAKELAAR WORDEN OPGENOMEN.

OPMERKING: ALS ER TWEE OF MEER GELIJKSTROOM-PLAFONDVENTILATOREN OP ÉÉN LOCATIE ZIJN GEÏNSTALLEERD, IS EEN SCHEIDINGSSCHAKELAAR VEREIST VOOR ELKE PLAFONDVENTILATOR. DIT IS NODIG BIJ HET PROGRAMMEREN VAN DE AFSTANDSBEDIENING EN DE ONTVANGER.

Zorg ervoor dat de aardingsdraad van de motor is aangesloten op de enkele aardklem "1" in de onderstaande afbeelding.

(afb. 8)

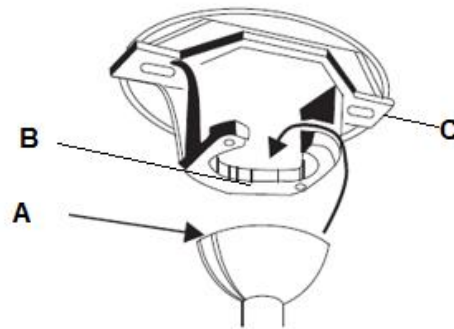
1. Sluit de live-draad aan op de "L"-klem van het klemmenblok op de montagebeugel.
2. Sluit de neutrale draad aan op de "N"-klem van het klemmenblok op de montagebeugel.
3. Sluit de aarde-draad aan op de aarde-klem van het klemmenblok op de montagebeugel.
4. [Hang de complete ventilatoreenheid aan de montagebeugel. \("Hangen van de ventilator" sectie & afb. 9\)](#)
5. Sluit de voedingsbedrading van de montagebeugel aan op de ingang van de DC-motordriver/ontvanger.
6. Sluit de uitgangsdraden van de gelijkstroommotordriver/-ontvanger aan op de ingangsdraden van de ventilatormotor en de lichtset.



Afb. 8

OPHANGEN VAN DE VENTILATOR (afb. 9)

Til de ventilatoreenheid op de montagebeugel. Zorg ervoor dat de gleuf (A) van de ophangkogel op de pen (B) van de montagebeugel (C) is geplaatst om te voorkomen dat de ventilator tijdens het gebruik tegendraait. (Afb.9)

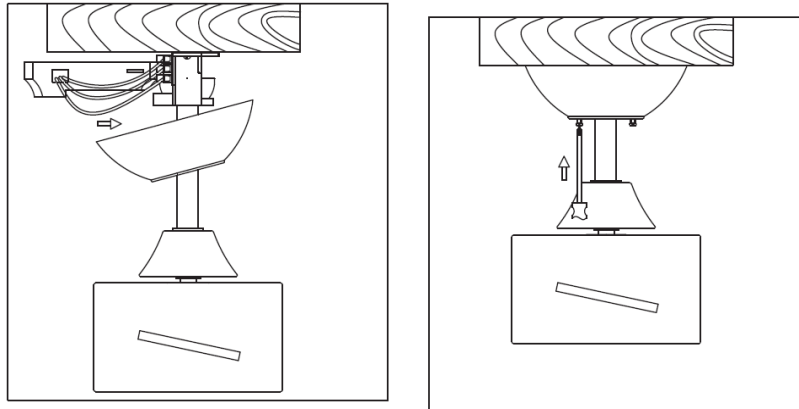


Afb. 9

VOLTOOIEN VAN DE INSTALLATIE

INSTALLATIE VAN DE OVERKAPPING (afb.10)

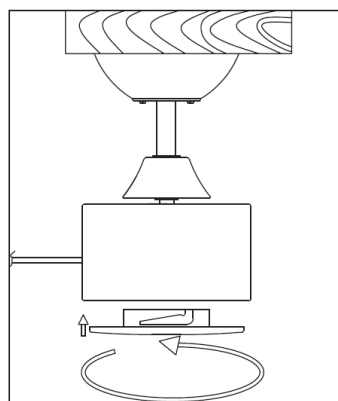
1. Zorg ervoor dat de aardebedrading veilig en correct is, door een aardingscontinuïteitstest uit te voeren vanaf de metalen behuizing van de ventilator tot aan de aardklem op het klemmenblok op de montagebeugel.
2. Draai de 2 schroeven aan de onderkant van de montagebeugel los.
3. Schuif de overkapping tot aan de montagebeugel en lijn de gaten op de luifel uit met de schroeven op de montagebeugel. Draai de overkapping tot deze vastklikt met het smalle gedeelte van de gaten en zet deze vast door de twee schroeven aan te draaien. Vermijd beschadiging van de eerder voorbereide elektrische bedrading.



Afb. 10

INSTALLATIE VAN DE ONDERPLAAT (afb.11)

1. Monteer de onderplaat op het motoronderdeel als er geen lichtset nodig is.

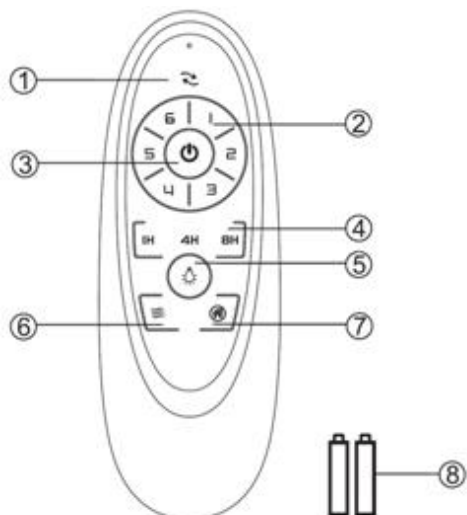


Afb. 11

GEBRUIK VAN DE PLAFONDVENTILATOR

AFSTANDBEDIENING (afb.12)

1. Open het deksel van het batterijvak door de bevestigingsschroef te verwijderen en plaats 2 AAA-batterijen. Let bij het plaatsen van de batterij op de juiste polariteit (+/-), plaats het deksel terug en zet het vast met de schroef.
2. Test de afstandsbediening door een willekeurige knop ingedrukt te houden. Een rode led op de bovenkant van de afstandsbediening gaat branden om aan te geven dat de afstandsbediening klaar is voor gebruik om de ventilator te bedienen.
3. Volg de onderstaande aanwijzingen om de ventilator te bedienen en de functies te leren.



1. Richting van de ventilator (omkeerschakelaar)
2. Ventilatorsnelheid
3. AAN/UIT-schakelaar
4. Tijdsregeling van de ventilator
5. AAN/UIT van het licht
6. Natuurlijke wind
(Het ventilatoroerental schakelt automatisch tussen de snelheden 1-6)
7. Antidiefstal functie
(het licht gaat AAN 5~20 minuten om de 2 uur)
8. 1,5V AAA-batterij X 2st (meegeleverd)

Afb. 12

HERSTEL VAN DE VENTILATORONTVANGER & KOPPELING MET DE AFSTANDBEDIENING

OPMERKING: De koppeling van de afstandsbediening en de ontvanger is in de fabriek uitgevoerd. Wanneer de plafondventilator is geïnstalleerd, is het NIET nodig om de ventilatorontvanger en de afstandsbediening te koppelen.

Als de afstandsbediening en ontvanger na de installatie of tijdens het gebruik ontkoppeld raakt, moet de koppeling van de afstandsbediening en de ontvanger worden hersteld. Hieronder staan de symptomen en de methode om de koppeling van de afstandsbediening en de ontvanger van de DC-plafondventilator te herstellen.

Problemen:

- Geen bediening mogelijk - Ventilator draait alleen op hoge snelheid na installatie
- Geen bediening mogelijk - Geen omkeerfunctie na installatie
- Geen bediening mogelijk - De afstandsbediening kan niet met de ontvanger communiceren

Oplossing:

- Schakel stroom naar de ventilator uit.
- Schakel stroom naar de ventilator in. Houd de aan/uit-knop op de afstandsbediening binnen 30 seconden na het inschakelen 5 seconden ingedrukt. Er zal een piepsignaal van de ontvanger klinken om aan te geven dat het koppelingsproces succesvol is.
- Schakel de plafondventilator in en selecteer de verschillende snelheden om de werking van de ventilator te controleren.



NA INSTALLATIE

OPMERKING: plafondventilatoren hebben de neiging om tijdens het gebruik te bewegen door het feit dat ze op een rubberen doorvoertules zijn gemonteerd. Als de ventilator vast aan het plafond werd gemonteerd, zou dit buitensporige trillingen veroorzaken. Bewegingen van enkele centimeters zijn acceptabel en is geen defect van het apparaat.

OM HET WIEBELEN VAN DE VENTILATOR TE VERMINDEREN: Controleer of alle schroeven waarmee de montagebeugel en de onderstang zijn bevestigd, goed vastzitten.

BALANCERINGSSET: Een balanceringsset wordt geleverd om de plafondventilator bij de eerste installatie te balanceren. Zie de instructies voor het gebruik van de balanceringsset. De balanceringsset kan worden gebruikt om de balans te helpen herstellen als de plafondventilator uit balans raakt. Bewaar uw balanceringsset na de installatie voor toekomstig gebruik indien nodig.

GELUID:

Wanneer het stil is (vooral 's nachts) kan het zijn dat u af en toe kleine geluiden hoort. Lichte stroomschommelingen en frequentiesignalen die op het elektriciteitssignaal worden gesuperponeerd voor de warmwaterbeheersing buiten de piekuren, kunnen een verandering in het geluid van de ventilatormotor veroorzaken. Dit is normaal. Houd rekening met een "instelperiode" van 24 uur. De meeste geluiden die gepaard gaan met een nieuwe ventilator verdwijnen gedurende deze periode.

De garantie van de fabrikant dekt de werkelijke fouten die zich kunnen ontwikkelen en NIET kleine klachten zoals motorgeluid - Alle elektromotoren produceren tot op zekere hoogte geluid.

ONDERHOUD EN REINIGING

OPMERKING: Schakel altijd eerst de stroom uit met de netschakelaar voordat u onderhoud uitvoert of uw ventilator probeert te reinigen.

- Elke 6 maanden is periodieke reiniging van uw plafondventilator het enige onderhoud dat nodig is. Gebruik een zachte borstel of pluivrije doek om krassen op de laklaag te voorkomen. Schakel de elektriciteit uit als u dat doet.
- Laat uw plafondventilator niet weken of onderdompelen in water of andere vloeistoffen. Het kan de motor of de bladen beschadigen en een elektrische schok veroorzaken.
- Zorg ervoor dat de ventilator niet in contact komt met organische oplosmiddelen of reinigingsmiddelen.
- Om het ventilatorblad te reinigen, veegt u het af met een vochtige, schone doek met GEEN organische oplosmiddelen of reinigingsmiddelen.
- De motor heeft een permanent gesmeerde kogellager zodat er geen olie nodig is.



VEILIGHEIDSMATREGELEN VOOR DE BATTERIJ

- **WAARSCHUWING** - Houd nieuwe en gebruikte batterijen uit de buurt van kinderen.
- **OPGELET** - Slik batterijen niet in - risico voor chemische verbrandingen.
- Gebruik altijd 2 x AAA-batterijen voor de afstandsbediening.
- Zorg ervoor dat de batterijen met de juiste polariteit zijn geplaatst.
- Om te voorkomen dat de plafondventilator tijdens het plaatsen of vervangen van de batterij verkeerd wordt gebruikt, moet de plafondventilator worden uitgeschakeld.
- Verwijder de batterijen als u het apparaat voor langere tijd niet gebruikt.
- De batterij moet uit de afstandsbediening worden verwijderd voordat het apparaat wordt afgedankt.
- Gooi lege batterijen onmiddellijk en veilig weg (zodat ze niet door kinderen kunnen worden bereikt). Batterijen kunnen nog steeds gevaarlijk zijn. Neem contact op met uw gemeente om de batterijen veilig af te voeren.
- Controleer het product regelmatig en zorg ervoor dat het deksel van het batterijvak goed vastzit. Als het batterijcompartiment niet goed sluit, stop dan met het gebruik van het product en houd het uit de buurt van kinderen.
- Als u denkt dat batterijen zijn ingeslikt of in een lichaamsopening zijn geplaatst, moet u onmiddellijk medische hulp inroepen.
- De batterij lekt: De batterij bevat chemische stoffen en moet worden behandeld zoals elke andere chemische stof. Neem voorzorgsmaatregelen bij het hanteren van gelekte chemicaliën uit de batterij. Batterijchemicaliën mogen niet in de buurt van de ogen komen of worden ingeslikt.

TECHNISCHE INFORMATIE

Ventilator	52" DC-ventilator
Ventilatormodellen / SKU#	LD-52"CL III / SKU# 210640, 210641, 210642
Nominale spanning	220-240 V~ 50Hz
Nominaal vermogen (motor)	35 W
Nominaal vermogen (lamp)	GX53, max.12 W
Batterij voor afstandsbediening	2 x AAA
Gewicht	3,9 kg
Afmetingen van de overkapping	H:50 mm Dia:150 mm

GARANTIE-INFORMATIE

IN AUSTRALIË / NIEUW ZEELAND - Raadpleeg de afzonderlijke garantieverklaring.

IN EUROPA - Als u een Europese klant bent, neem dan contact op met het verkooppunt waar de ventilator is gekocht voor garanteservice.





ΕΥΧΑΡΙΣΤΟΥΜΕ ΓΙΑ ΤΗΝ ΑΓΟΡΑ ΣΑΣ

Συγχαρητήρια για την αγορά ενός ανεμιστήρα οροφής τελευταίας τεχνολογίας όσον αφορά την ενεργειακή απόδοση. Ο ανεμιστήρας που αγοράσατε λειτουργεί με συνεχές ρεύμα (DC), έτσι ώστε να παρέχει εξαιρετική ενεργειακή απόδοση και ταυτόχρονα υψηλή ικανότητα διακίνησης αέρα και αθόρυβη λειτουργία.

Ενεργειακή απόδοση - Το μοτέρ DC είναι η τελευταία τεχνολογική εξέλιξη στη σχεδίαση των ανεμιστήρων. Είναι ένα μοτέρ υψηλής απόδοσης, που εξοικονομεί έως 65% περισσότερη ενέργεια από τα συμβατικά μοτέρ των ανεμιστήρων οροφής εναλλασσόμενου ρεύματος (AC).

Αθόρυβη λειτουργία – Το μοτέρ DC αυτού του ανεμιστήρα είναι προγραμματισμένο ώστε να λειτουργεί με σταθεροποιημένο ρεύμα, για να μειώνεται αποτελεσματικά ο θόρυβος του μοτέρ.

Χαμηλή θερμοκρασία λειτουργίας – Χάρη στην αποτελεσματική διαχείριση του τροφοδοτικού DC, το μοτέρ λειτουργεί σε θερμοκρασία χαμηλότερη από 50°C. Έτσι, το μοτέρ θερμαίνεται πολύ λιγότερο από το μοτέρ ενός συμβατικού ανεμιστήρα AC και έχει μεγαλύτερη διάρκεια ζωής.

Τηλεχειριστήριο 6 ταχυτήτων – Οι συμβατικοί ανεμιστήρες οροφής AC έχουν συνήθως μόνο 3 ταχύτητες, ενώ αυτός ο ανεμιστήρας DC περιλαμβάνει τηλεχειριστήριο 6 ταχυτήτων για περισσότερες επιλογές κλιματισμού.

ΠΡΟΦΥΛΑΞΕΙΣ ΑΣΦΑΛΕΙΑΣ

1. Στην Ευρώπη: Αυτή η συσκευή μπορεί να χρησιμοποιηθεί από παιδιά ηλικίας 8 χρονών και πάνω και από άτομα με περιορισμένες σωματικές, αισθητηριακές ή διανοητικές ικανότητες, ή από άτομα με ελλιπή εμπειρία και γνώσεις, εφόσον επιβλέπονται ή έχουν λάβει οδηγίες για την ασφαλή χρήση της συσκευής και κατανοούν τους εμπλεκόμενους κινδύνους. Οι εργασίες καθαρισμού και συντήρησης δεν πρέπει να πραγματοποιούνται από παιδιά χωρίς επίβλεψη.
2. Στην Αυστραλία: Η συσκευή δεν προορίζεται για χρήση από άτομα (περιλαμβανομένων των παιδιών) με περιορισμένες σωματικές, αισθητηριακές ή διανοητικές ικανότητες, ούτε από άτομα που δεν έχουν την εμπειρία ή τις απαραίτητες γνώσεις, εκτός εάν επιβλέπονται ή έχουν λάβει οδηγίες για τη χρήση της συσκευής από άτομο υπεύθυνο για την ασφάλειά τους.
3. Τα παιδιά πρέπει να επιβλέπονται, ώστε να διασφαλίζεται ότι δεν παίζουν με τη συσκευή.
4. Η σταθερή καλωδίωση θα πρέπει να περιλαμβάνει διακόπτη απομόνωσης όλων των αγωγών ρεύματος (φάσεις και ουδέτερο) σύμφωνα τους τοπικούς ηλεκτρολογικούς κανονισμούς.

ΣΤΗΝ ΑΥΣΤΡΑΛΙΑ

ΠΡΟΕΙΔΟΠΟΙΗΣΗ:

ΓΙΑ ΝΑ ΧΡΗΣΙΜΟΠΟΙΗΘΕΙ ΜΕ ΑΣΦΑΛΕΙΑ ΑΥΤΟΣ Ο ΑΝΕΜΙΣΤΗΡΑΣ, Η ΣΤΑΘΕΡΗ ΚΑΛΩΔΙΩΣΗ ΘΑ ΠΡΕΠΕΙ ΝΑ ΠΕΡΙΛΑΜΒΑΝΕΙ ΔΙΑΚΟΠΤΗ ΑΠΟΜΟΝΩΣΗΣ ΟΛΩΝ ΤΩΝ ΑΓΩΓΩΝ ΡΕΥΜΑΤΟΣ (ΦΑΣΕΙΣ ΚΑΙ ΟΥΔΕΤΕΡΟ) ΣΥΜΦΩΝΑ ΜΕ ΤΟΥΣ ΤΟΠΙΚΟΥΣ ΗΛΕΚΤΡΟΛΟΓΙΚΟΥΣ ΚΑΝΟΝΙΣΜΟΥΣ.

Όπως προσδιορίζεται στο άρθρο 7.12.2 του προτύπου AS/NZS 60335-1 για τις ελάχιστες προδιαγραφές ηλεκτρολογικής ασφάλειας.

Η εγγύηση καθίσταται άκυρη αν το προϊόν εγκατασταθεί χωρίς διάταξη απομόνωσης όλων των αγωγών ρεύματος (φάσεις και ουδέτερο) στη σταθερή καλωδίωση σύμφωνα με τους τοπικούς



ηλεκτρολογικούς κανονισμούς.

Παράδειγμα: Αν ο ανεμιστήρας συνδεθεί σε κύκλωμα που μπορεί να απομονωθεί μέσω διακόπτη απομόνωσης όλων των αγωγών ρεύματος στον πίνακα ελέγχου, τότε αυτή η διευθέτηση θεωρείται διάταξη απομόνωσης όλων των αγωγών ρεύματος ενσωματωμένη στο ηλεκτρικό κύκλωμα του ανεμιστήρα οροφής και πληροί τις απαιτήσεις του άρθρου 7.12.2 του προτύπου AS/NZS 60335.1.

Η καλωδίωση θα πρέπει επίσης να περιλαμβάνει έναν μονοπολικό διακόπτη στον ενεργό αγωγό εισόδου του δέκτη τηλεχειρισμού, στο ίδιο δωμάτιο με τον ανεμιστήρα οροφής.

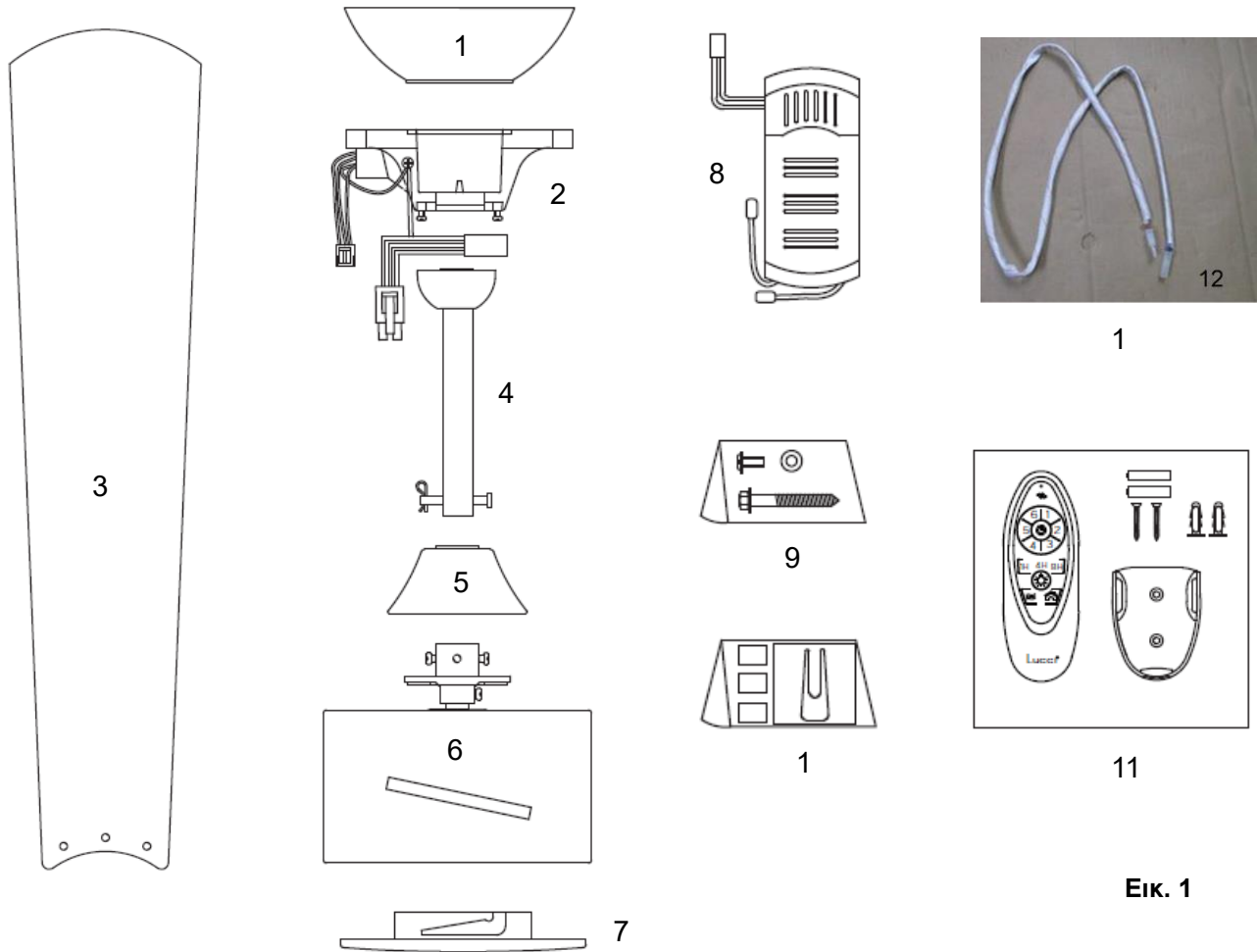


5. Οι ηλεκτρικές συσκευές δεν πρέπει να απορρίπτονται ως σύμμεικτα αστικά απορρίμματα. Χρησιμοποιήστε ξεχωριστές εγκαταστάσεις συλλογής απορριμμάτων. Απευθυνθείτε στις τοπικές αρχές για πληροφορίες σχετικά με τα διαθέσιμα συστήματα συλλογής. Αν τα απόβλητα ηλεκτρικών συσκευών απορρίπτονται σε χωματερές, υπάρχει κίνδυνος να διαρρεύσουν επικίνδυνες ουσίες στα υπόγεια ύδατα και να περάσουν στην τροφική αλυσίδα, με κίνδυνο για την υγεία σας.
6. Η κατασκευή πάνω στην οποία θα κρεμαστεί ο ανεμιστήρας θα πρέπει να μπορεί να υποστηρίξει βάρος 16 κιλών.
7. Ο ανεμιστήρας θα πρέπει να τοποθετηθεί με τέτοιο τρόπο, ώστε οι λεπίδες να βρίσκονται τουλάχιστον 2,3 μέτρα πάνω από το δάπεδο στην Ευρώπη ή τουλάχιστον 2,1 μέτρα πάνω από το δάπεδο στην Αυστραλία.
8. Ο ανεμιστήρας είναι κατάλληλος μόνο για χρήση σε εσωτερικό χώρο. Η εγκατάσταση του ανεμιστήρα σε χώρο εκτεθειμένο σε νερό ή υγρασία είναι επικίνδυνη και αυξάνει τον κίνδυνο ζημιάς, τραυματισμού ή ηλεκτροπληξίας και ακυρώνει την εγγύηση.
9. Η εγκατάσταση πρέπει να πραγματοποιηθεί από επαγγελματία ηλεκτρολόγο.
10. ΠΡΟΕΙΔΟΠΟΙΗΣΗ: Εάν παρατηρείται ασυνήθιστο ταρακούνημα ή ταλάντωση, σταματήστε αμέσως τη χρήση του ανεμιστήρα οροφής και επικοινωνήστε με τον κατασκευαστή, τον αντιπρόσωπο του σέρβις ή άτομα με αντίστοιχη εξειδίκευση.
11. Η αντικατάσταση των εξαρτημάτων της συσκευής με σύστημα ανάρτησης ασφαλείας πρέπει να πραγματοποιείται από τον κατασκευαστή, τον αντιπρόσωπο του σέρβις ή άτομα με αντίστοιχη εξειδίκευση.
12. Τα εξαρτήματα στερέωσης για την προσάρτηση στην οροφή, όπως τα άγκιστρα ή άλλες διατάξεις, πρέπει να τοποθετούνται με επαρκή ισχύ ώστε να παρέχεται αντοχή 4 φορές το βάρος του ανεμιστήρα οροφής. Η τοποθέτηση του συστήματος ανάρτησης πρέπει να διεξάγεται από τον κατασκευαστή, τον αντιπρόσωπο του σέρβις του ή από άτομα με αντίστοιχη εξειδίκευση.



ΛΙΣΤΑ ΕΞΑΡΤΗΜΑΤΩΝ

- Αφαιρέστε προσεκτικά τη συσκευασία του ανεμιστήρα οροφής. Απομακρύνετε όλα τα εξαρτήματα και το υλικό.
- Τακτοποιήστε όλα τα εξαρτήματα σε ομαλή επιφάνεια και βεβαιωθείτε ότι δεν λείπει κανένα εξάρτημα, πριν ξεκινήσετε τη συναρμολόγηση. Αν λείπουν εξαρτήματα, επιστρέψετε ολόκληρο το προϊόν στο κατάστημα αγοράς για έλεγχο ή αντικατάσταση.
- Ελέγξτε μήπως ο ανεμιστήρας οροφής έχει υποστεί ζημιά κατά τη μεταφορά. Αν φαίνεται να υπάρχει οποιαδήποτε ζημιά, μη θέσετε σε λειτουργία / μην εγκαταστήσετε το προϊόν. Επιστρέψετε ολόκληρο το προϊόν στο κατάστημα αγοράς για επισκευή ή αντικατάσταση.
- Εξετάστε όλα τα εξαρτήματα και βεβαιωθείτε ότι υπάρχουν τα ακόλουθα:



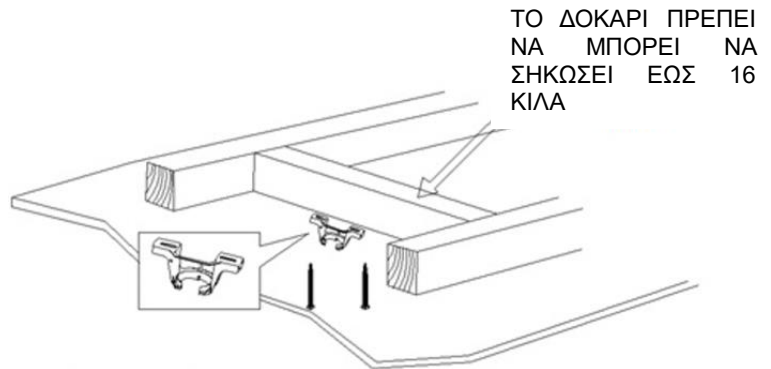
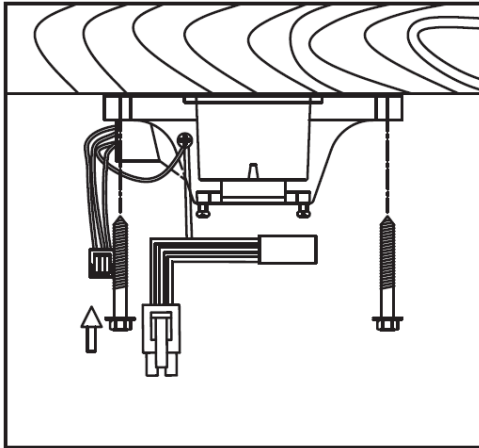
Εικ. 1

- | | |
|---|---|
| 1 Πλαφονιέρα x 1 | 7 Κάτω κάλυμμα x 1 |
| 2 Στοιχείο ανάρτησης x 1 | 8 Δέκτης τηλεχειρισμού x 1 |
| 3 Πτερύγια x 3 | 9 Βίδες για στοιχείο ανάρτησης και πτερύγια x 1 σετ |
| 4 Κάθετη ράβδος x 1 σετ | 10 Σετ ζυγοστάθμισης x 1 σετ |
| 5 Διακοσμητικό κάλυμμα x 1 | 11 Σετ τηλεχειριστηρίου x 1 |
| 6 Μοτέρ ανεμιστήρα & Περίβλημα ζεύξης κάθετης ράβδου x 1 | 12 Καλώδιο επέκταση σετ φωτιστικού |



ΤΟΠΟΘΕΤΗΣΗ ΤΟΥ ΣΤΟΙΧΕΙΟΥ ΣΤΕΡΕΩΣΗΣ

- Ο ανεμιστήρας οροφής θα πρέπει να εγκατασταθεί έτσι ώστε να υπάρχει απόσταση 300 mm από την άκρη των πτερυγίων μέχρι το πλησιέστερο αντικείμενο ή τον πλησιέστερο τοίχο.
- Τοποθετήστε το στοιχείο ανάρτησης σε δοκάρι της οροφής ή άλλη κατασκευή που να μπορεί να σηκώσει βάρος τουλάχιστον 16 κιλών, με τις δύο μακριές βίδες που παρέχονται. Βεβαιωθείτε ότι τουλάχιστον 30 mm της βίδας έχουν βιδωθεί στην κατασκευή ανάρτησης. (Εικ. 2)



ΤΟ ΔΟΚΑΡΙ ΠΡΕΠΕΙ
ΝΑ ΜΠΟΡΕΙ ΝΑ
ΣΗΚΩΣΕΙ ΕΩΣ 16
ΚΙΛΑ

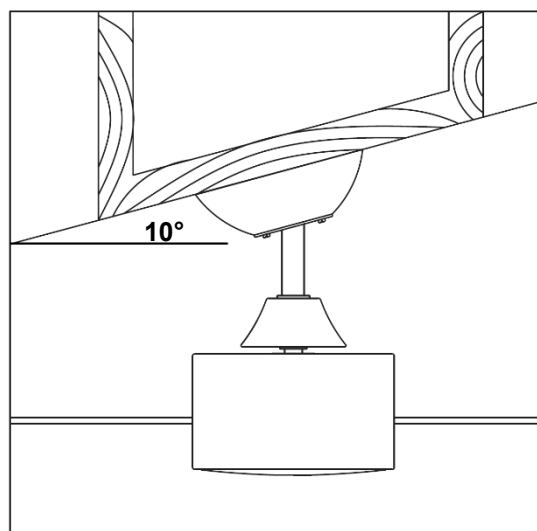
ΣΗΜΕΙΩΣΗ: Η ΕΙΚΟΝΑ ΕΙΝΑΙ ΕΝΔΕΙΚΤΙΚΗ ΚΑΙ ΔΕΝ
ΑΠΕΙΚΟΝΙΖΕΙ ΤΟ ΠΡΑΓΜΑΤΙΚΟ ΔΟΚΑΡΙ.

Εικ. 2

ΣΗΜΕΙΩΣΗ: Οι παρεχόμενες βίδες στερέωσης είναι κατάλληλες μόνο για ξύλο. Για κατασκευές από άλλο υλικό, εκτός ξύλου, θα ΠΡΕΠΕΙ να χρησιμοποιηθεί ο κατάλληλος τύπος βίδας. Βεβαιωθείτε ότι οι χρησιμοποιούμενες βίδες είναι κατάλληλες για την επιφάνεια τοποθέτησης και το γύρω χώρο.

ΤΟΠΟΘΕΤΗΣΗ ΣΕ ΟΡΟΦΗ ΥΠΟ ΚΛΙΣΗ

Αυτό το σύστημα ανάρτησης του ανεμιστήρα επιτρέπει την εγκατάσταση του ανεμιστήρα στην οροφή υπό κλίση 10 μοιρών το μέγιστο. (Εικ. 3)

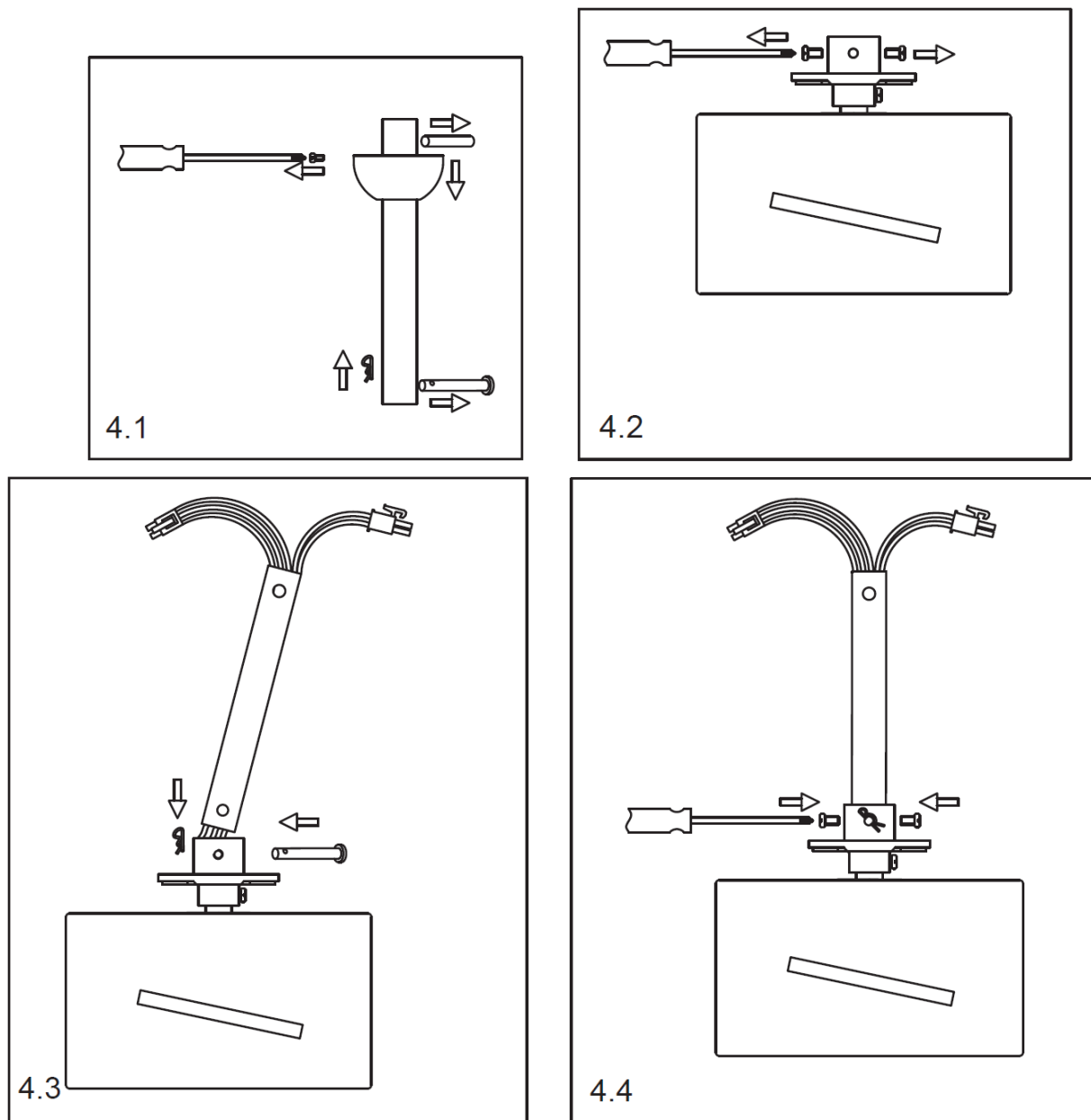


Εικ. 3

ΕΓΚΑΤΑΣΤΑΣΗ ΤΟΥ ΑΝΕΜΙΣΤΗΡΑ

ΕΓΚΑΤΑΣΤΑΣΗ ΤΗΣ ΚΑΤΩ ΡΑΒΔΟΥ (Εικ. 4)

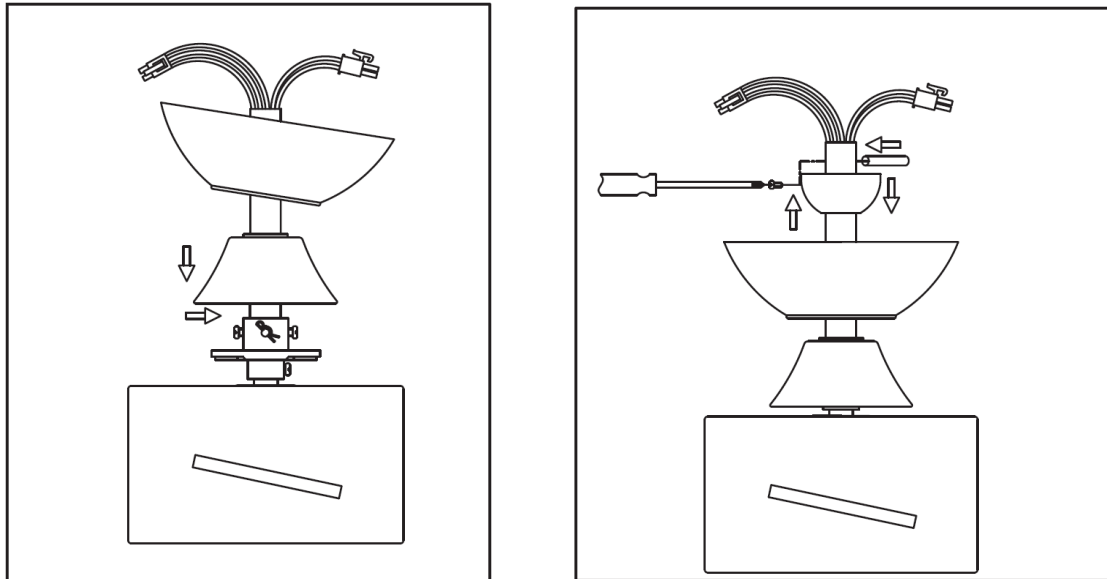
1. Χαλαρώστε τη βίδα ασφάλισης για να αφαιρέσετε το σφαιρικό σύνδεσμο και τον τερματικό κοχλία. Απομακρύνετε τον πείρο ασφάλισης αφαιρώντας τον πείρο σύνδεσης. Μην απορρίψετε αυτά τα εξαρτήματα καθώς απαιτούνται για την επανασυναρμολόγηση αργότερα.
2. Λασκάρτε τις βίδες ασφάλισης στο περίβλημα ζεύξης κάθετης ράβδου του συγκροτήματος μοτέρ ανεμιστήρα.
3. Οδηγήστε προσεκτικά τα καλώδια ανεμιστήρα διαμέσου της κάθετης ράβδου. Τοποθετήστε την κάθετη ράβδο μέσα στο περίβλημα ζεύξης κάθετης ράβδου του συγκροτήματος μοτέρ ανεμιστήρα. Ευθυγραμμίστε τις οπές του περιβλήματος ζεύξης κάθετης ράβδου με τις οπές στην κάθετη ράβδο και τοποθετήστε τον πείρο ασφάλισης και τον πείρο σύνδεσης.
4. Ασφαλίστε την κάθετη ράβδο σφίγγοντας τις βίδες ασφάλισης.



Εικ. 4

ΕΓΚΑΤΑΣΤΑΣΗ ΣΤΟΙΧΕΙΟΥ ΑΝΑΡΤΗΣΗΣ (Εικ. 5)

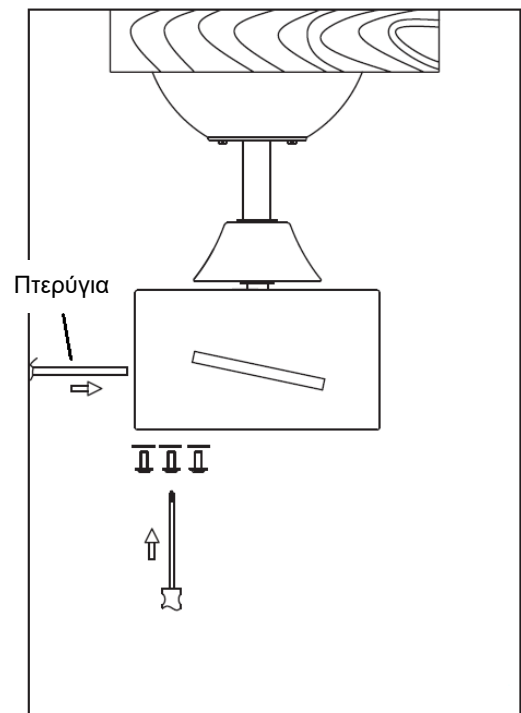
1. Εγκαταστήστε το διακοσμητικό κάλυμμα επάνω στην κάθετη ράβδο και καλύψτε τα εξαρτήματα ζεύξης. Σύρετε προσεκτικά την πλαφονιέρα επάνω στην κάθετη ράβδο.
2. Επανεγκαταστήστε το σφαιρικό σύνδεσμο και τον τερματικό κοχλία πάλι στην κάθετη ράβδο και ασφαλίστε σφίγγοντας τη βίδα ασφάλισης.



Εικ. 5

ΕΓΚΑΤΑΣΤΑΣΗ ΤΟΥ ΠΤΕΡΥΓΙΟΥ (Εικ. 6)

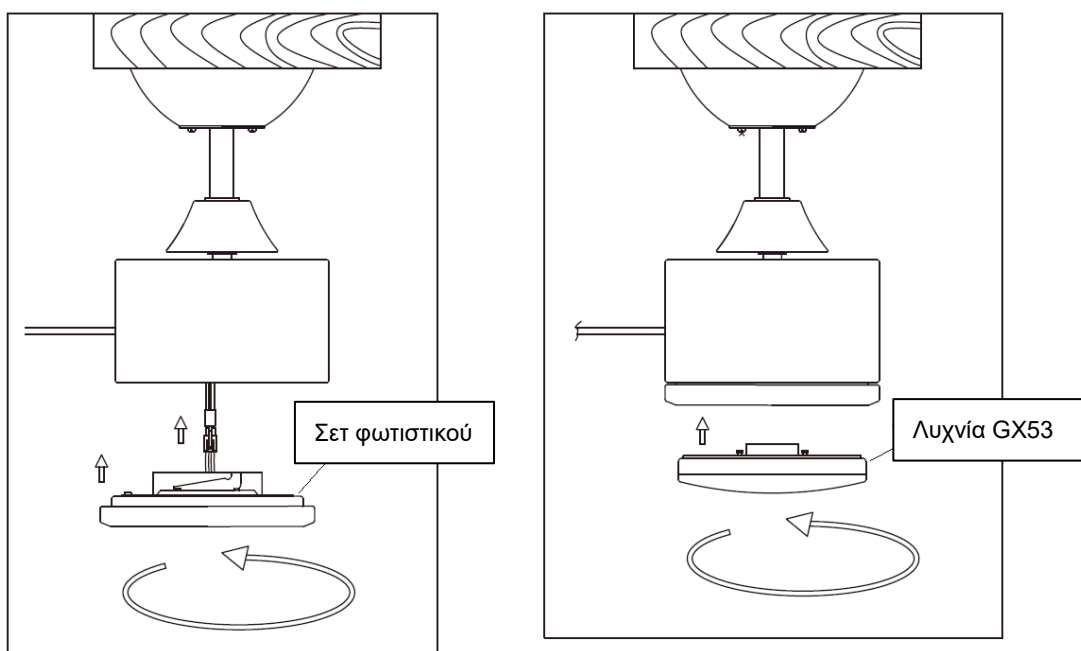
1. Εισαγάγετε το πτερύγιο μέσα στην εγκοπή του περιστρεφόμενου σκέλους του συγκροτήματος μοτέρ ανεμιστήρα.
2. Ευθυγραμμίστε και εμπλέξτε τις οπές του πτερυγίου στο στήριγμα πτερυγίου.
3. Στερεώστε το πτερύγιο στο συγκρότημα μοτέρ ανεμιστήρα, σφίγγοντας τις 3 βίδες πτερυγίου και τις ροδέλες.
Βεβαιωθείτε ότι έχετε σφίξει όλες τις βίδες ομοιόμορφα, ώστε να μην παραμορφωθούν τα πτερύγια και να μην γέρνει ο ανεμιστήρας.
Προσέξτε να μην σφίξετε υπερβολικά τις βίδες, γιατί μπορεί να υποστούν ζημιά τα πτερύγια
4. Ακολουθήστε την ίδια διαδικασία για τα υπόλοιπα πτερύγια.



Εικ. 6

ΕΓΚΑΤΑΣΤΑΣΗ ΤΟΥ ΚΙΤ ΦΩΤΙΣΤΙΚΟΥ (Είναι προαιρετικό και πωλείται ξεχωριστά) (Εικ. 7)

- **ΣΗΜΕΙΩΣΗ:** Η εγκατάσταση του κιτ φωτιστικού πρέπει να πραγματοποιηθεί από πιστοποιημένο ηλεκτρολόγο.
- Το κιτ φωτιστικού πωλείται ξεχωριστά. (SKU# 210643, 210644, 210645).
- Συνδέστε τα καλώδια του σετ φωτιστικού στο τμήμα μοτέρ μέσω του ταχυσυνδέσμου.
- Στερεώστε το σετ φωτιστικού επάνω στο τμήμα μοτέρ, στη συνέχεια ασφαλίστε το περιστρέφοντας δεξιόστροφα.
- Εγκαταστήστε τη λυχνία GX53 στο κιτ φωτιστικού. Δεν επιτρέπεται να υπερβαίνεται η μέγιστη τιμή ισχύος.



Εικ. 7



ΠΡΟΕΤΟΙΜΑΣΙΑ ΚΑΙ ΣΥΝΔΕΣΗ ΤΗΣ ΗΛΕΚΤΡΙΚΗΣ ΚΑΛΩΔΙΩΣΗΣ --- ΗΛΕΚΤΡΟΛΟΓΙΚΟ ΔΙΑΓΡΑΜΜΑ (ΕΙΚ. 8)

ΠΡΟΕΙΔΟΠΟΙΗΣΗ: ΓΙΑ ΤΗΝ ΑΣΦΑΛΕΙΑ ΣΑΣ, ΟΛΕΣ ΟΙ ΗΛΕΚΤΡΙΚΕΣ ΣΥΝΔΕΣΕΙΣ ΠΡΕΠΕΙ ΝΑ ΠΡΑΓΜΑΤΟΠΟΙΗΘΟΥΝ ΑΠΟ ΠΙΣΤΟΠΟΙΗΜΕΝΟ ΗΛΕΚΤΡΟΛΟΓΟ.

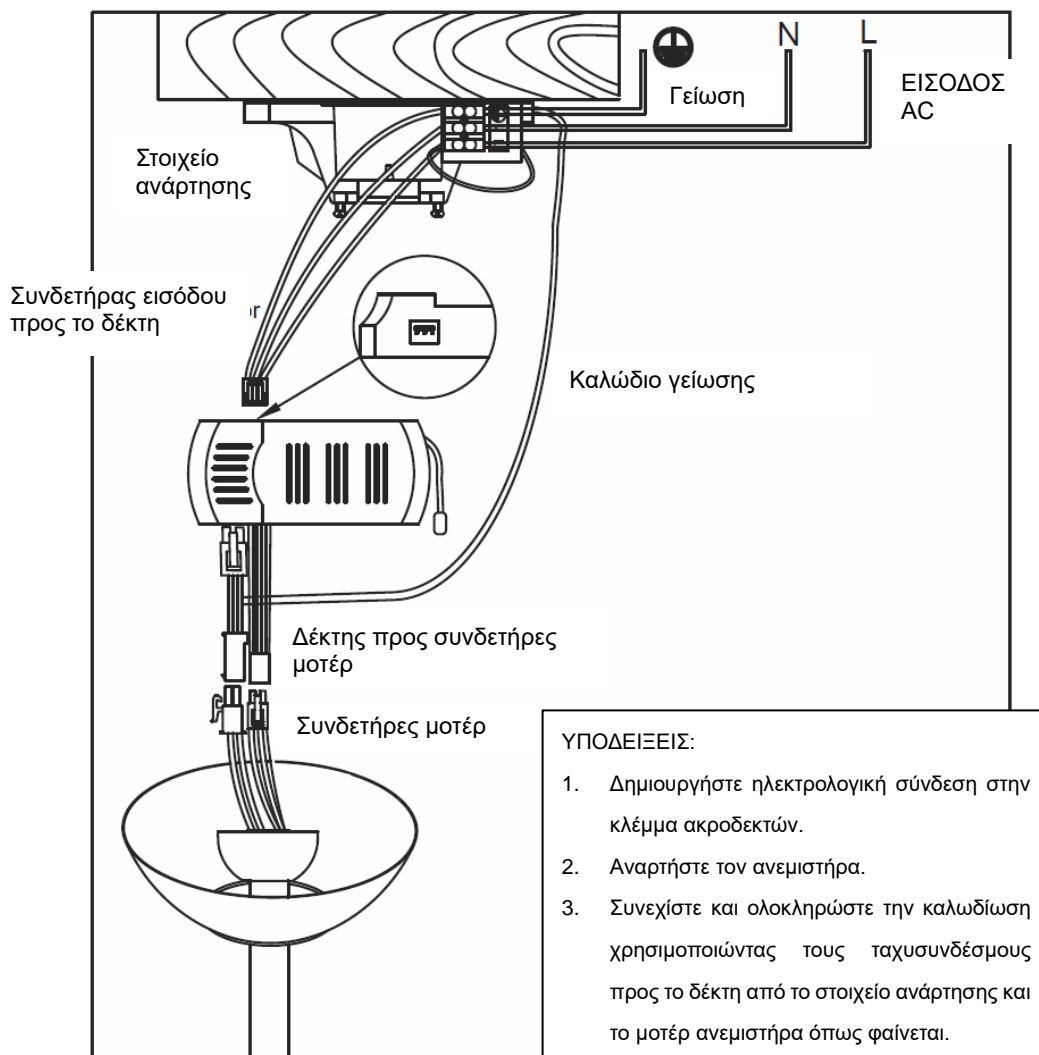
ΣΗΜΕΙΩΣΗ: Η ΣΤΑΘΕΡΗ ΚΑΛΩΔΙΩΣΗ ΘΑ ΠΡΕΠΕΙ ΝΑ ΠΕΡΙΛΑΜΒΑΝΕΙ ΣΥΜΠΛΗΡΩΜΑΤΙΚΟ ΔΙΑΚΟΠΤΗ ΑΠΟΜΟΝΩΣΗΣ ΟΛΩΝ ΤΩΝ ΑΓΩΓΩΝ ΡΕΥΜΑΤΟΣ (ΦΑΣΕΙΣ ΚΑΙ ΟΥΔΕΤΕΡΟ).

ΣΗΜΕΙΩΣΗ: ΑΝ ΕΓΚΑΤΑΣΤΑΘΟΥΝ ΔΥΟ Ή ΠΕΡΙΣΣΟΤΕΡΟΙ ΑΝΕΜΙΣΤΗΡΕΣ ΟΡΟΦΗΣ DC ΣΤΟΝ ΙΔΙΟ ΧΩΡΟ, ΘΑ ΠΡΕΠΕΙ ΝΑ ΥΠΑΡΧΕΙ ΕΝΑΣ ΔΙΑΚΟΠΤΗΣ ΓΙΑ ΚΑΘΕ ΑΝΕΜΙΣΤΗΡΑ. ΑΥΤΟ ΑΠΑΙΤΕΙΤΑΙ ΚΑΤΑ ΤΟΝ ΠΡΟΓΡΑΜΜΑΤΙΣΜΟ ΤΟΥ ΤΗΛΕΧΕΙΡΙΣΤΗΡΙΟΥ ΚΑΙ ΤΟΥ ΔΕΚΤΗ ΓΙΑ ΣΥΖΕΥΞΗ.

Εξασφαλίστε ότι το καλώδιο γείωσης μοτέρ έχει συνδεθεί με το μονό τερματικό μπλοκ γείωσης «1» στο κατωτέρω διάγραμμα.

(Εικ. 8)

1. Συνδέστε τον αγωγό παροχής στον ακροδέκτη «L» της κλέμματος του στοιχείου ανάρτησης.
2. Συνδέστε τον αγωγό ουδέτερου παροχής στον ακροδέκτη «N» της κλέμματος του στοιχείου ανάρτησης.
3. Συνδέστε τον αγωγό γείωσης στον ακροδέκτη γείωσης της κλέμματος του στοιχείου ανάρτησης.
4. Αναρτήστε το πλήρες συγκρότημα ανεμιστήρα επάνω στο στοιχείο ανάρτησης. («Ανάρτηση του ανεμιστήρα» τμήμα & Εικ. 9)
5. Συνδέστε το καλώδιο παροχής από το στοιχείο ανάρτησης στην είσοδο του οδηγού/δέκτη μοτέρ DC.
6. Συνδέστε τα καλώδια εξόδου του οδηγού/δέκτη μοτέρ DC στα καλώδια εισόδου του μοτέρ ανεμιστήρα και του ΚΙΤ φωτιστικού.

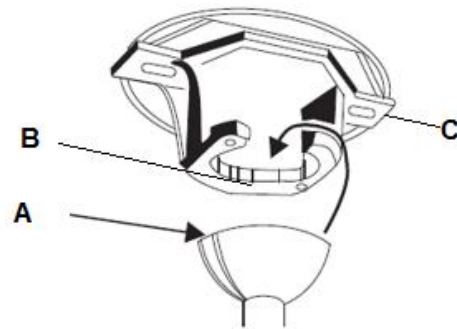


Εικ. 8



ΑΝΑΡΤΗΣΗ ΤΟΥ ΑΝΕΜΙΣΤΗΡΑ (Εικ. 9)

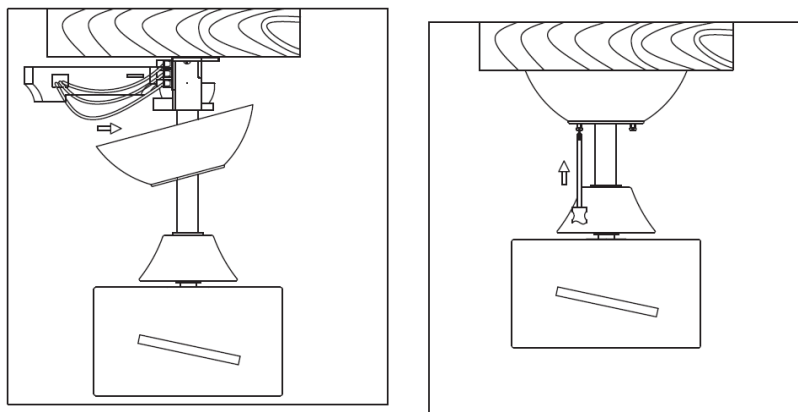
Κρεμάστε το συγκρότημα του ανεμιστήρα στο στοιχείο ανάρτησης. Βεβαιωθείτε ότι η σφηναύλακα (A) στην πλαφονιέρα είναι ευθυγραμμισμένη με τον πείρο σφήνας (B) στο στοιχείο ανάρτησης (C), ώστε να μην περιστρέφεται ο ανεμιστήρας κατά τη λειτουργία. (Εικ.9)



Εικ. 9

ΟΛΟΚΛΗΡΩΣΗ ΤΗΣ ΕΓΚΑΤΑΣΤΑΣΗΣ**ΕΓΚΑΤΑΣΤΑΣΗ ΤΗΣ ΠΛΑΦΟΝΙΕΡΑΣ (Εικ. 10)**

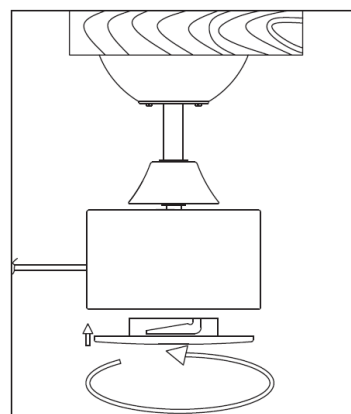
1. Εξασφαλίστε ότι η καλωδίωση γείωσης είναι ασφαλής και σωστή διεξάγοντας μια δοκιμή συνέχειας γείωσης από το προσβάσιμο μεταλλικό σώμα του ανεμιστήρα προς την κλέμμα γείωσης στην κλέμμα ακροδεκτών.
2. Χαλαρώστε τις 2 βίδες στο κάτω μέρος του στοιχείου ανάρτησης.
3. Περάστε την πλαφονιέρα πάνω στο στοιχείο ανάρτησης και ευθυγραμμίστε τις εγκοπές της πλαφονιέρας με τις βίδες στο στοιχείο ανάρτησης. Περιστρέψτε την πλαφονιέρα μέχρι να ασφαλίσει με το στενό τμήμα των εγκοπών και στερεώστε την σφίγγοντας τις δύο βίδες. Προσέξτε να μην προκαλέσετε ζημιά στα ηλεκτρικά καλώδια που συνδέσατε προηγουμένως.



Εικ. 10

ΕΓΚΑΤΑΣΤΑΣΗ ΤΟΥ ΚΑΤΩ ΚΑΛΥΜΜΑΤΟΣ (Εικ. 11)

1. Εγκαταστήστε το κάτω κάλυμμα στο τμήμα μοτέρ εάν δεν απαιτείται κιτ φωτιστικού.

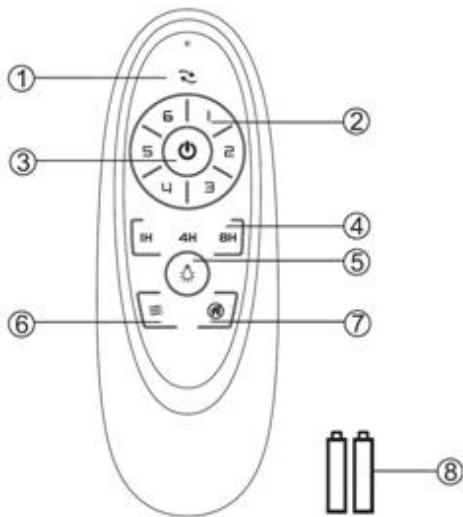


Εικ. 11

ΧΡΗΣΗ ΤΟΥ ΑΝΕΜΙΣΤΗΡΑ ΟΡΟΦΗΣ

ΤΗΛΕΧΕΙΡΙΣΤΗΡΙΟ (Εικ. 12)

1. Ανοίξτε το κάλυμμα υποδοχής μπαταρίας αφαιρώντας τη βίδα ασφάλισης και εισαγάγετε 2 μπαταρίες AAA. Σημειώστε τη σωστή πολικότητα μπαταρίας (+/-) όταν εισαγάγετε την μπαταρία και κατόπιν επανατοποθετήστε το κάλυμμα και ασφαλίστε με τη βίδα.
2. Ελέγξτε το τηλεχειριστήριο πατώντας και κρατώντας οποιοδήποτε κουμπί. Ένα κόκκινο LED θα ανάψει στο άνω μέρος του τηλεχειριστηρίου για να υποδηλώσει ότι υπάρχει ισχύς στο τηλεχειριστήριο και ότι είναι έτοιμο για έλεγχο του ανεμιστήρα.
3. Τηρήστε τον παρακάτω οδηγό για να θέσετε σε λειτουργία τον ανεμιστήρα και να μάθετε τις λειτουργίες.



1. Κατεύθυνση του ανεμιστήρα (διακόπτης αναστροφής)
2. Ταχύτητα του ανεμιστήρα
3. ΕΝΕΡΓΟ-/ΑΠΕΝΕΡΓΟΠΟΙΗΣΗ του ανεμιστήρα
4. Έλεγχος χρόνου ανεμιστήρα
5. ΑΝΑΒΕΙ/ΣΒΗΝΕΙ το φως
6. Φυσικός αέρας
(Ο αυτόματος κύκλος ταχύτητας ανεμιστήρα μεταξύ ταχύτητας 1 έως 6)
7. Αντικλεπτική λειτουργία
(ΕΝΕΡΓΟ φως για 5~20 λεπτά κάθε 2 ώρες)
8. 2 τεμάχια μπαταρία 1,5V AAA (περιλαμβάνονται)

Εικ. 12

ΑΠΟΚΑΤΑΣΤΑΣΗ ΤΗΣ ΣΥΖΕΥΞΗΣ ΔΕΚΤΗ ΚΑΙ ΤΗΛΕΧΕΙΡΙΣΤΗΡΙΟΥ

ΣΗΜΕΙΩΣΗ: Η σύζευξη του τηλεχειριστηρίου και του δέκτη έχει γίνει στο εργοστάσιο.

ΔΕΝ απαιτείται σύζευξη δέκτη ανεμιστήρα και τηλεχειριστηρίου εφόσον έχει εγκατασταθεί ο ανεμιστήρας οροφής.

Αν χαθεί ο έλεγχος του δέκτη από το τηλεχειριστήριο μετά την εγκατάσταση ή κατά τη λειτουργία του ανεμιστήρα, θα πρέπει να αποκαταστήσετε τη σύζευξη. Παρακάτω αναφέρονται οι ενδείξεις αποσύζευξης και η μέθοδος αποκατάστασης της σύζευξης ανάμεσα στο τηλεχειριστήριο και τον δέκτη του ανεμιστήρα οροφής DC.

Προβλήματα:

- Απώλεια ελέγχου - Ο ανεμιστήρας λειτουργεί μόνο στην υψηλή ταχύτητα μετά την εγκατάσταση.
- Απώλεια ελέγχου - Ο ανεμιστήρας δεν λειτουργεί αντίστροφα μετά την εγκατάσταση.
- Απώλεια ελέγχου - Το τηλεχειριστήριο δεν επικοινωνεί με το δέκτη.

Επίλυση:

- Απενεργοποιήστε τον ανεμιστήρα οροφής από τον γενικό διακόπτη.
- Ενεργοποιήστε τον ανεμιστήρα οροφής από τον γενικό διακόπτη. Κρατήστε πατημένο το κουμπί ενεργο-/απενεργοποίησης στο τηλεχειριστήριο για 5 δευτερόλεπτα εντός 30 δευτερολέπτων μετά την ενεργοποίηση. Θα ακουστεί ένας ήχος «μπιπ» ειδοποίησης από το δέκτη για να υποδηλώσει ότι η διαδικασία σύζευξης είναι επιτυχής.
- Ενεργοποιήστε και επιλέξτε διαφορετική ταχύτητα στον ανεμιστήρα οροφής για να ελέγξετε τη λειτουργία του ανεμιστήρα.



ΜΕΤΑ ΤΗΝ ΤΟΠΟΘΕΤΗΣΗ

ΣΗΜΕΙΩΣΗ: οι ανεμιστήρες οροφής ταλαντεύονται κατά τη λειτουργία επειδή είναι στερεωμένοι πάνω σε ελαστικές ροδέλες. Αν ο ανεμιστήρας ήταν στερεωμένος σε άκαμπτα στοιχεία στην οροφή, θα προκαλούσαν υπερβολικοί κραδασμοί. Η ταλάντευση κατά λίγα εκατοστά είναι αποδεκτή και ΔΕΝ συνιστά πρόβλημα.

ΓΙΑ ΝΑ ΠΕΡΙΟΡΙΣΕΤΕ ΤΗΝ ΤΑΛΑΝΤΕΥΣΗ ΤΟΥ ΑΝΕΜΙΣΤΗΡΑ: Βεβαιωθείτε ότι όλες οι βίδες που συγκρατούν το στοιχείο ανάρτησης και την κάθετη ράβδο είναι σφιγμένες καλά.

ΣΕΤ ΖΥΓΟΣΤΑΘΜΙΣΗΣ: Παρέχεται ένα σετ για τη ζυγοστάθμιση του ανεμιστήρα οροφής κατά την αρχική εγκατάσταση. Ανατρέξτε στις οδηγίες για να μάθετε πώς χρησιμοποιείται το σετ ζυγοστάθμισης. Μπορείτε να χρησιμοποιήσετε το σετ ζυγοστάθμισης για να ρυθμίσετε ξανά τον ανεμιστήρα αν αρχίσει πάλι να ταλαντεύεται. Μετά την εγκατάσταση, φυλάξτε το κιτ ζυγοστάθμισης για μελλοντική χρήση.

ΘΟΡΥΒΟΣ:

Όταν επικρατεί ησυχία (ιδιαίτερα τη νύχτα), μπορεί να ακούτε σποραδικά μικρούς θορύβους. Μικρές διακυμάνσεις στην ένταση του ρεύματος και παρεμβολές σημάτων συχνότητας στο ηλεκτρικό κύκλωμα μπορεί να προκαλέσουν διαφορετικούς θορύβους από το μοτέρ του ανεμιστήρα. Αυτό είναι φυσιολογικό. Περιμένετε ένα 24ωρο για να εξομαλυνθεί η λειτουργία του ανεμιστήρα. Οι περισσότεροι θόρυβοι που ακούγονται όταν λειτουργεί πρώτη φορά ο ανεμιστήρας σταματούν στη συνέχεια.

Η εγγύηση του κατασκευαστή καλύπτει πραγματικά σφάλματα που μπορεί να παρουσιαστούν και ΟΧΙ παράπονα ή σονος σημασίας όπως ο ήχος λειτουργίας του μοτέρ – όλοι οι ηλεκτρικοί κινητήρες εκπέμπουν κάποιο θόρυβο.

ΦΡΟΝΤΙΔΑ ΚΑΙ ΚΑΘΑΡΙΣΜΟΣ

ΣΗΜΕΙΩΣΗ: Κλείνετε πάντα τον κεντρικό ηλεκτρικό διακόπτη προτού πραγματοποιήσετε εργασίες συντήρησης ή επιχειρήσετε να καθαρίσετε τον ανεμιστήρα σας.

- Η μόνη συντήρηση που απαιτεί ο ανεμιστήρας οροφής είναι ένας περιοδικός καθαρισμός κάθε 6 μήνες. Χρησιμοποιήστε μια μαλακή βούρτσα ή ένα πανί που δεν αφήνει χνούδι για να μη χαράξετε τη βαφή. Κλείνετε το διακόπτη ηλεκτρικής τροφοδοσίας κατά τον καθαρισμό.
- Μη μουσκεύετε ή βυθίζετε τον ανεμιστήρα οροφής σας σε νερό ή σε άλλα υγρά. Μπορεί να υποστεί ζημιά το μοτέρ ή τα πτερύγια και αυξάνεται ο κίνδυνος ηλεκτροπληξίας.
- Προσέξτε ώστε ο ανεμιστήρας να μην έρθει σε επαφή με οργανικούς διαλύτες ή καθαριστικά.
- Για να καθαρίσετε τα πτερύγια του ανεμιστήρα, σκουπίστε τα μόνο με ένα υγρό καθαρό πανί, χωρίς οργανικούς διαλύτες ή καθαριστικά.
- Το μοτέρ περιλαμβάνει σφαιρικό έδρανο μόνιμης λίπανσης, οπότε δεν απαιτεί λίπανση.



ΠΡΟΦΥΛΑΞΕΙΣ ΑΣΦΑΛΕΙΑΣ ΓΙΑ ΤΗΝ ΜΠΑΤΑΡΙΑ

- **ΠΡΟΕΙΔΟΠΟΙΗΣΗ** – Φυλάσσετε τις νέες και τις χρησιμοποιημένες μπαταρίες μακριά από παιδιά.
- **ΠΡΟΣΟΧΗ** – Μην καταπίνετε τις μπαταρίες—Κίνδυνος χημικού εγκαύματος.
- Χρησιμοποιείτε πάντα 2 μπαταρίες τύπου AAA με αυτό το τηλεχειριστήριο του ανεμιστήρα οροφής.
- Τοποθετήστε τις μπαταρίες με τη σωστή πολικότητα.
- Για να εμποδίσετε λάθος λειτουργίας κατά την εισαγωγή ή αντικατάσταση των μπαταριών, πρέπει να αποσυνδέσετε τον ανεμιστήρα οροφής από την παροχή ρεύματος.
- Αφαιρείτε τις μπαταρίες από το προϊόν, αν δεν πρόκειται να χρησιμοποιηθεί για μεγάλο διάστημα.
- Οι μπαταρίες πρέπει να αφαιρούνται από τον απομακρυσμένο πομπό πριν τον απορρίψετε.
- Απορρίψτε τις χρησιμοποιημένες μπαταρίες αμέσως και με ασφάλεια (έτσι ώστε να μην μπορούν να τις βρουν παιδιά). Οι μπαταρίες παραμένουν επικίνδυνες. Επικοινωνήστε με την τοπική αρχή σχετικά με την ασφαλή απόρριψη της μπαταρίας.
- Ελέγχετε τακτικά το προϊόν για να βεβαιωθείτε ότι το καπάκι των μπαταριών είναι ασφαλισμένο. Αν δεν κλείνει καλά το καπάκι των μπαταριών, σταματήστε να χρησιμοποιείτε το προϊόν και φυλάξτε το μακριά από τα παιδιά.
- Αν πιστεύετε ότι κάποιος έχει καταπιεί μπαταρίες ή έχει τοποθετήσει μπαταρίες σε οποιοδήποτε μέρος του σώματος, απευθυνθείτε αμέσως σε γιατρό.
- Διαρροές στην μπαταρία: Η μπαταρίες περιέχουν χημικές ουσίες και πρέπει να τις μεταχειρίζεστε όπως όλες τις χημικές ουσίες. Λαμβάνετε προληπτικά μέτρα κατά την αντιμετώπιση διαρροής χημικής ουσίας από μπαταρίες. Οι χημικές ουσίες μπαταριών δεν πρέπει να έρχονται σε επαφή με τα μάτια ή να γίνεται κατάποσή τους.

ΤΕΧΝΙΚΕΣ ΠΛΗΡΟΦΟΡΙΕΣ

Ανεμιστήρας	Ανεμιστήρας 52" DC
Μοντέλα ανεμιστήρα / Αρ. SKU	LD-52"CL III / SKU# 210640, 210641, 210642
Ονομαστική τάση	220-240V~ 50Hz
Ονομαστική τιμή ισχύος watt (μοτέρ)	35W
Ονομαστική τιμή ισχύος watt (λυχνία)	GX53, Max.12W
Μπαταρία τηλεχειριστηρίου	2 x AAA
Βάρος	3,9 κ ι λ ά
Διαστάσεις πλαφονιέρας	Υ:50mm Διάμ.:150mm

ΠΛΗΡΟΦΟΡΙΕΣ ΓΙΑ ΤΗΝ ΕΓΓΥΗΣΗ

ΣΤΗΝ ΑΥΣΤΡΑΛΙΑ / ΝΕΑ ΖΗΛΑΝΔΙΑ – Ανατρέξτε στην ξεχωριστή ΔΗΛΩΣΗ ΕΓΓΥΗΣΗΣ.

ΣΤΗΝ ΕΥΡΩΠΗ – Αν είστε πελάτης από την Ευρώπη, απευθυνθείτε στο κατάστημα λιανικής απ' όπου αγοράσατε τον ανεμιστήρα, για σέρβις στο πλαίσιο της εγγύησης.

