



LUCCI AIRFUSION RADAR DC FAN

- **INSTALLATION**
- **OPERATION**
- **MAINTENANCE**
- **WARRANTY INFORMATION**

CAUTION
**READ INSTRUCTIONS CAREFULLY FOR SAFE
INSTALLATION AND FAN OPERATION.**

CONTENTS

GB	Installation Instruction Manual	2
D	Installationsanleitung	14
F	Guide d'installation.....	26
E	Manual de instrucciones de instalación.....	38
I	Manuale delle istruzioni di installazione.....	49
NL	Installatiehandleiding.....	60



GB**CONGRATULATIONS ON YOUR PURCHASE**

Thankyou for purchasing the latest in energy saving ceiling fans. This fan runs on DC (direct current) power which gives it the benefit of being super energy efficient whilst still maintaining high volume air-movement and silent operation.

Energy Saving - The DC motor is the latest technology in fan design. Its highly efficient motor saves up to 65% more energy than ceiling fans with traditional AC motors.

Silent operation – this DC fan motor is programmed with a stabilized current which efficiently reduces motor noise.

Low operating temperature – The DC power is managed effectively which brings down the motor operating temperature to less than 50degs. This results in a much cooler motor than a standard AC fan and increases the longevity of the motor.

6 speed remote control, regular AC ceiling fans usually come with only 3 speeds, this DC fan comes complete with a 6 speed remote, which gives greater choice of comfort levels.

SAFETY PRECAUTIONS

1. In Europe: This appliance can be used by children aged from 8 years and above and persons with reduced physical, sensory or mental capabilities or lack of experience and knowledge if they have been given supervision or instruction concerning the use of the appliance in a safe way and understand the hazards involved. Cleaning and maintenance shall not be undertaken by children without supervision.
2. In Australia: The appliance is not intended for use by persons (including children) with reduced physical, sensory or mental capabilities, or lack of experience and knowledge, unless they have been given supervision or instruction concerning the use of the appliance by a person responsible for their safety.
3. Children should be supervised to ensure that they do not play with the appliance.
4. An all-pole disconnection switch must be incorporated into the fixed wiring, in accordance with local wiring rules.

IN AUSTRALIA**WARNING:**

**FOR SAFE USE OF THIS FAN AN ALL-POLE DISCONNECTION
MUST BE INCORPORATED INTO THE FIXED WIRING IN
ACCORDANCE WITH THE WIRING RULES.**

As outline in clause 7.12.2 of AS/NZS 60335-1 for meeting the minimum electrical safety of this standard.

Please note warranty will be void if installation is without a means for an all-pole disconnection incorporated in the fixed wiring in accordance with




the wiring rules.

Example: If a fan is connected to a circuit that can be isolated via an all-pole safety switch at the switchboard, then this is considered to be an all-pole disconnection to the ceiling fan electrical circuit, meeting the requirements of clause 7.12.2 of AS/NZS 60335.1.

A single-pole switch also must be placed in the same room as the fan as per local wiring regulations AS3000



5.  Do not dispose of electrical appliances as unsorted municipal waste, use separate collection facilities. Contact your local government for information regarding the collection systems available. If electrical appliances are disposed of in landfills or dumps, hazardous substances can leak into the groundwater and get into the food chain, damaging your health and well-being.
6. The structure to which the fan is to be mounted must be capable of supporting a weight of 30kg.
7. The fan should be mounted so that the blades are at least 2.3 m above the floor in Europe or 2.1 m above the floor in Australia.
8. This fan is designed for indoor use only. Mounting the fan in a location where it is subject to water or moisture is a hazard and will void the warranty.
9. Only a licensed electrician should execute the installation.



BEFORE INSTALLATION

Unpack your fan and check contents. You should have the following:

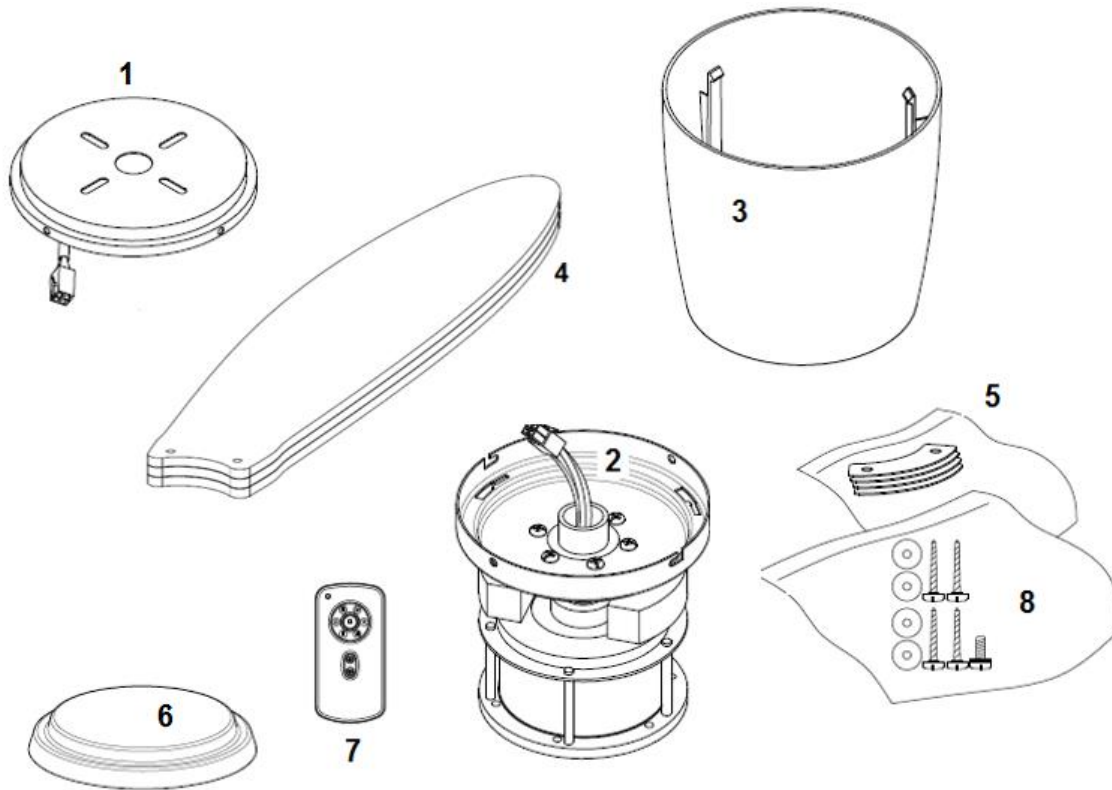


Fig. 1

- | | | | |
|---|---|----|--|
| 1 | Mounting bracket x 1 | 7 | Remote transmitter with holder x 1 set |
| 2 | Fan assembly with hanging plate, receiver and motor x 1 | 8 | Screw bag:
Extra motor screw x 1
Flat washer x 4
Wooden screw x 4 |
| 3 | Motor housing x 1 | 9 | Screw for remote holder x 2 (not shown) |
| 4 | Blade x 4 | 10 | 12V Battery for remote x 1 (not shown) |
| 5 | Blade bracket kit x 4 | | |
| 6 | Bottom cover x 1 | | |



INSTALLING THE FAN

TOOLS REQUIRED:

- Phillips / flat head screwdriver
- Pair of pliers
- Adjustable spanner
- Step ladder
- Wire cutter
- Wiring, supply cable as required by local provincial and national wiring codes and regulations.

INSTALLING THE MOUNTING BRACKET

The ceiling fan must be installed in a location so that the blades are 300mm spacing from the tip of the blade to the nearest objects or walls.

Secure the hanging bracket to the ceiling joist or structure that is capable of carrying a load of at least 30kg, with two long screws provided. Ensure at least 30mm of the screw is threaded into the support.

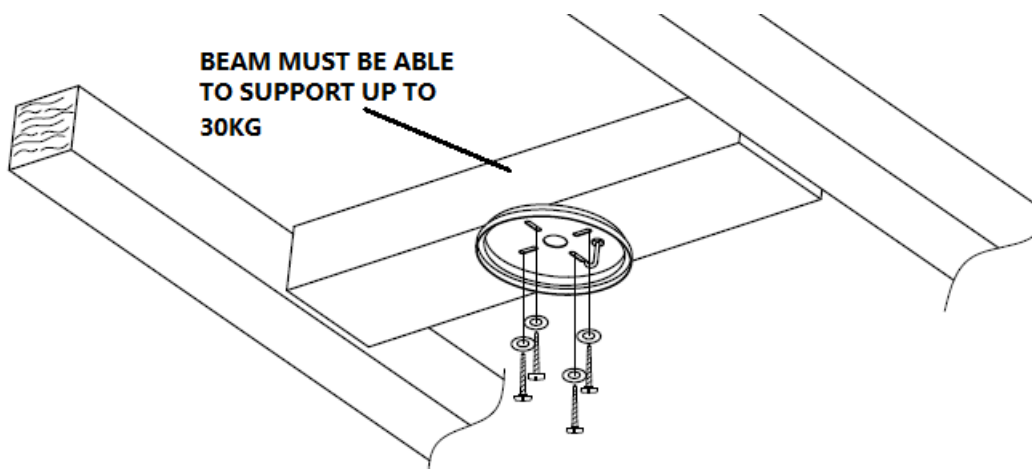


Fig. 2

NOTE: The bracket screws provided are for use with wooden structures only. For structures other than wood, the appropriate screw type **MUST** be used.

ANGLED CEILING INSTALLATION

This fan hanging system **DOES NOT** support a degree angled ceiling installation.



Airfusion Radar Installation Instructions

HANGING THE FAN MOTOR ASSEMBLY

- Lift the fan assembly to the mounting bracket (1) and let the J-hook of the mounting bracket (4) go through the hole of the hanging plate and hang up the fan assembly (3). Fig. 3
- Connect the male and female connector together (2). Fig. 3
- Complete the electrical wiring using the diagram below (Figure. 4).

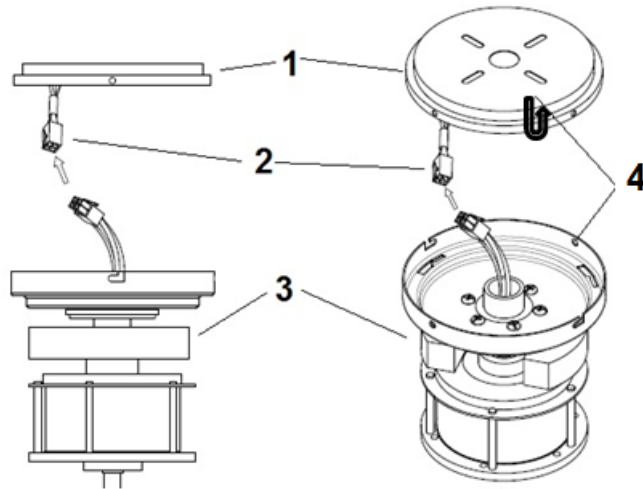


Fig. 3

PREPARE AND COMPLETE THE ELECTRICAL WIRING --- WIRING DIAGRAM (Fig. 4)

WARNING: FOR YOUR SAFETY, ALL ELECTRICAL CONNECTIONS MUST BE UNDERTAKEN BY A LICENSED ELECTRICIAN.

NOTE: AN ADDITIONAL ALL POLE DISCONNECTION SWITCH MUST BE INCLUDED IN THE FIXED WIRING.

NOTE: IF THERE ARE TWO OR MORE DC CEILING FANS INSTALLED IN THE ONE LOCATION, AN ISOLATION SWITCH IS REQUIRED FOR EACH CEILING FAN. THIS IS REQUIRED WHEN PROGRAMMING THE REMOTE AND RECEIVER TO PAIR TOGETHER.

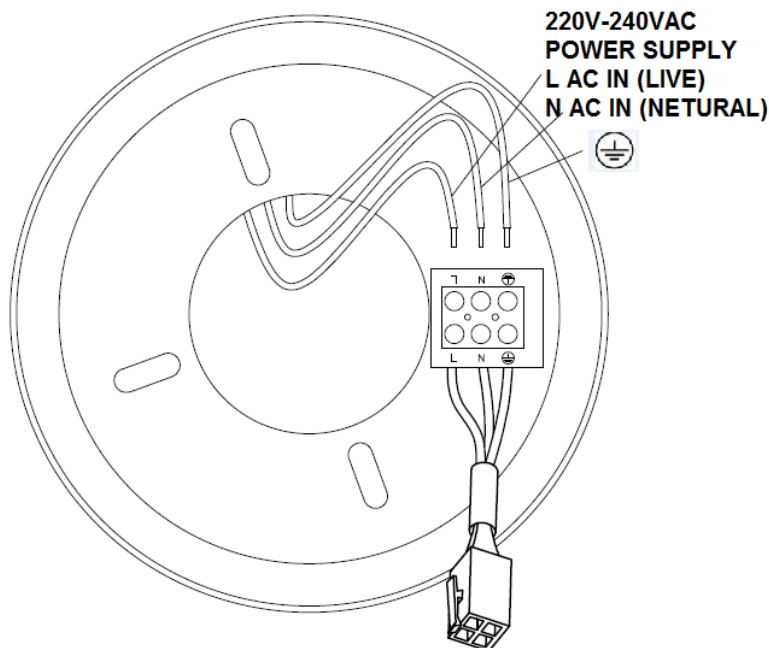


Fig. 4



INSTALL THE CANOPY COVER

- Loosen 2 screws (2) from the mounting bracket. Fig. 5
- Loosen 2 screws (1) by half thread from the mounting bracket. Fig. 5
- Lift the hanging plate of the fan assembly up to the mounting bracket and let the L-shape slot on the hanging plate go through the screws (1) on the mounting bracket. Turn the hanging plate until it locks in place at the end section of the L-shape slot and secure it by tightening the two screws (2). Avoid damaging the electrical wiring prepared previously.
- Finally attach the motor housing to the hanging plate and secure it by pushing the hooks (3) into the slot holes and turn it anti clockwise.

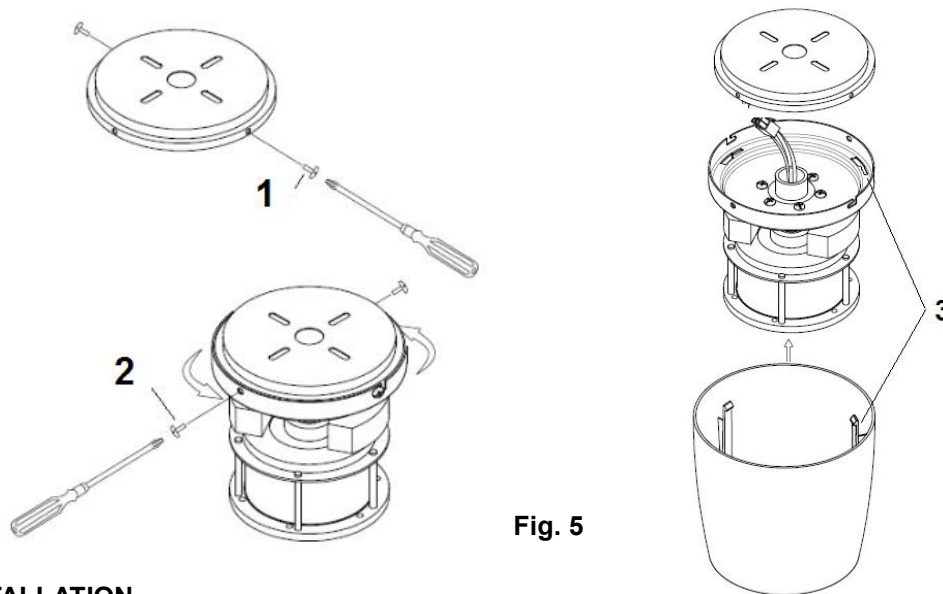


Fig. 5

BLADE INSTALLATION

- Insert the blade screws through the blade assembly in the following order - bracket kit (2) and blade (1). Attach the blade assembly to the motor and secure it by tightening the 2 screws (3). Fig. 6
- Repeat to install the other blades.
- Finally install the bottom cover (4) to the shaft of the motor by rotating it clockwise.

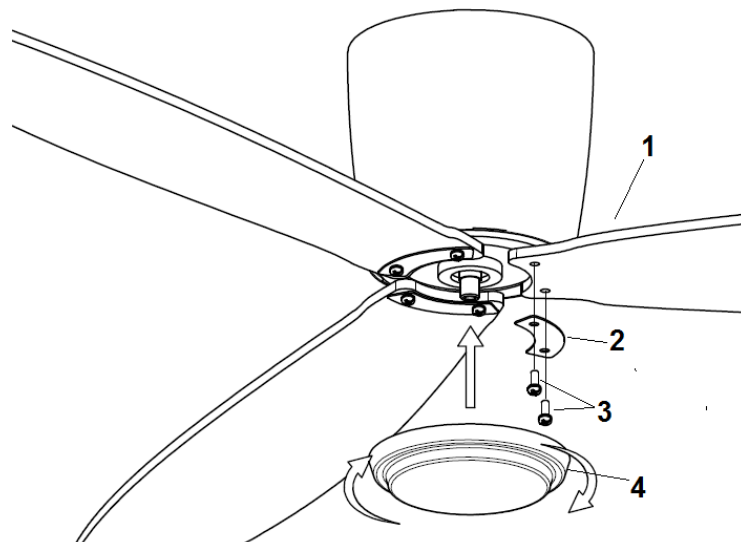


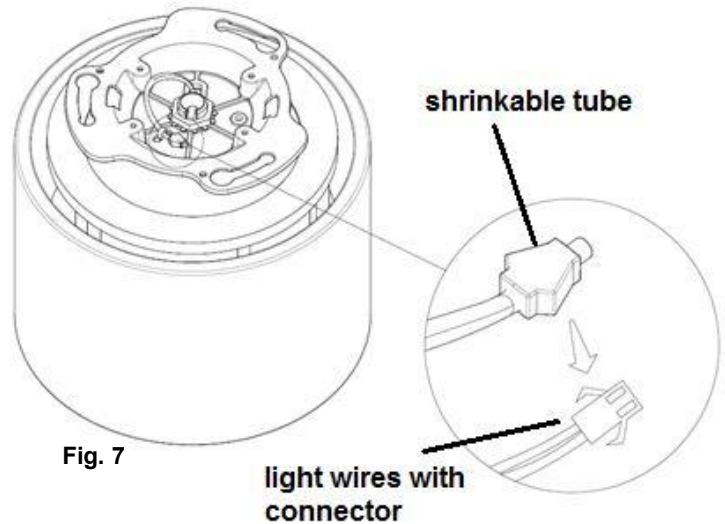
Fig. 6

LIGHT KIT Installation (Light kit - optional)

Note: Light kit must be installed by a licensed electrician.

Note: The light kit is available for selected ceiling fan models and as an optional light kit.

1. Remove the bottom cover from the shaft.
2. Remove the shinkable tube from the light wires connector.
3. For light kit installation, please refer to the light kit installation user guide.



USING YOUR CEILING FAN

Pairing Transmitter and Receiver – When 2 or more DC ceiling fans are installed in one location

When two or more fans are located near each other, you may want to have the receiver/transmitter for each fan set to a different code, so that the operation of one fan does not affect the operation of the other fans.

The DIP switches for the transmitter (remote hand piece) are located in the battery compartment of the transmitter. Configuring the DIP switches will allow a unique transmission code assigned to each ceiling fan.

Note: Ensure that you have installed an all - pole disconnection switch in the fixed wiring for each fan, when using DIP code function.

Note: Ensure power to the Receiver is **ON** prior to pairing the transmitter with the receiver.

Transmitter/Receiver pairing for ceiling fan 1:

- Turn off both ceiling fans 1 and 2 via the mains supply to the receiver.
- Slide the cover of the battery compartment of the transmitter to access the DIP switches. This will be transmitter 1.
- Change the position of the DIP switches in the remote transmitter 1, so that it will be different to transmitter 2.
- Install the 12VDC battery in the compartment. Please make sure the polarity of the battery is correct.
- Turn on the power to receiver 1. Keep the power OFF to receiver 2. (Each ceiling fan must have its own isolation switch so that only the ceiling fan that needs to be paired with the transmitter will be ON).
- Press and hold the SET button of **transmitter 1** for 6 seconds within 60 seconds of switching the power to the receiver of ceiling fan 1.
- Now the transmitter should be paired with the receiver of ceiling fan 1. Turn ON/OFF or change the speed of ceiling fan 1 by the transmitter to check the operation.



Airfusion Radar Installation Instructions

Setting DC Ceiling fan 2:

- Turn off both ceiling fans 1 and 2 via the mains supply to the receiver.
- Slide the cover of the battery compartment of the transmitter to access the DIP switches. This will be transmitter 2.
- Change the position of the DIP switches in the remote transmitter 2, so that it will be different to transmitter 1.
- Install the 12VDC battery in the compartment. Please make sure the polarity of the battery is correct.
- Turn on the power to receiver 2. Keep the power OFF to receiver 1. (Each ceiling fan must have its own isolation switch, so that only the ceiling fan that needs to be paired with the transmitter will be ON).
- Press and hold the SET button of **transmitter 2** for 6 seconds within 60 seconds of switching the power to the receiver of ceiling fan 2.
- Now the transmitter should be paired with the receiver of ceiling fan 2. Turn ON/OFF or change the speed of the ceiling fan 2 by the transmitter to check operation.

Note: The pairing of Transmitter and Receiver is not required if only one ceiling fan is installed. When more than two ceiling fans are installed near each other, please refer to the instructions above.

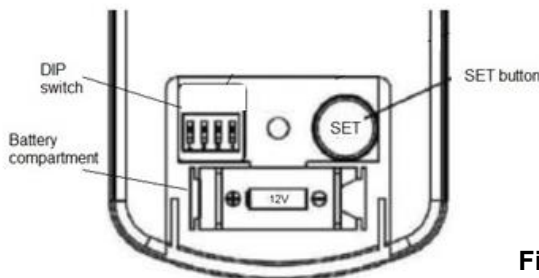
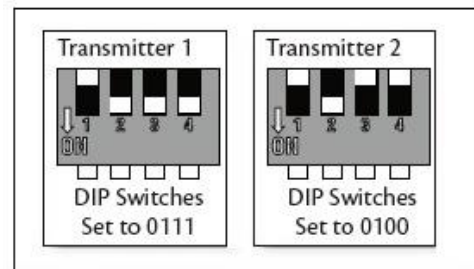


Fig. 8



Remote Control Buttons

○,1- FAN SPEED CONTROL BUTTON:

There are 6 available speeds. ○,Ibutton is for the lowest speed, and

○,VI button is for the fastest speed.

NOTE: WHEN YOU TURN ON THE FAN FOR THE FIRST TIME OR SWITCH THE MAIN POWER TO THE CONTROLLER, YOU NEED TO START THE FAN ON HIGH “○,VI” SPEED FIRST AND THEN CHOOSE A LOWER SPEED.

5-10 SECONDS IS REQUIRED TO ALLOW THE DC FAN TO RESPOND TO THE REMOTE EACH SPEED OR FAN DIRECTION SELECTIONS, AS DC FANS INCORPORATE A SENSOR CONTROL WHICH CONTROLS THE POWER TO THE MOTOR.

○,2- FAN OFF BUTTON:

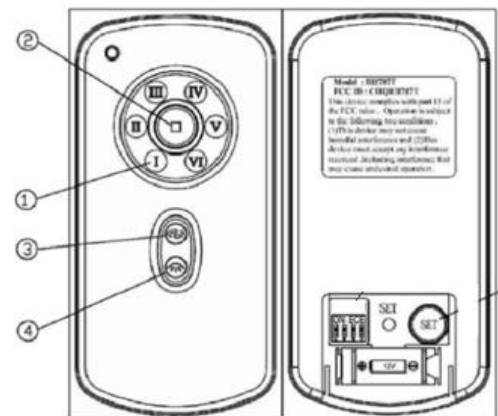


Fig. 9

Airfusion Radar Installation Instructions

Press the button to turn the fan off.

○,3- REVERSE FUNCTION BUTTON:

Press the button to activate the reverse running function. The fan must be operating to activate the reverse function.

○,4- LIGHT CONTROL BUTTON:

Press the button to turn on/off the light.

THE RECEIVER PROVIDES THE FOLLOWING LEVEL OF PROTECTION AGAINST.

- Lock position: the receiver has a built-in safety feature to protect against obstruction during operation. The motor will be locked from operation and will disconnect from power after 30 seconds of interruption. Please remove obstacles before re-starting. To reset, simply turn off the power supply to the fan motor and re-start.
- Over 80W protection: When the receiver detects power consumption which is greater than 80W, the receiver power will be stopped and operation will immediately discontinue. Turn the receiver power on after 5 seconds to restart the fan.

REPAIRING THE FAN RECEIVER & REMOTE PAIRING

Should the remote and receiver lose control after installation or during use, the pairing of the remote and the receiver must be repaired. Below are the operating symptoms and method to repair the pairing of the DC ceiling fan remote and receiver.

Issues:

- Loss of control - Fan is only running at high speed after installation
- Loss of control - No reverse function after installation
- Loss of control - Remote cannot communicate with the receiver

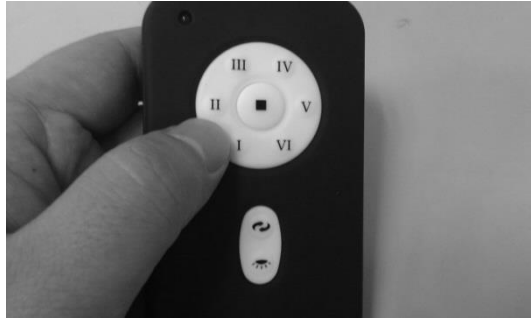
Solution:

If the fan runs at the highest speed continuously, it means the wiring of the installation is correct. When the fan operates on high speed only, or fails to operate in reverse function or any other command/s, it is recommended to repair the communication pairing of the remote and receiver. Please follow the steps below:

- Remove the battery cover on the remote. Check the 434 MHz sticker area, making sure the battery is installed correctly and the red LED light indicator will be flashing. This means the remote function is okay.



Airfusion Radar Installation Instructions



- B. Turn off the main supply to the receiver for more than 30 seconds and turn on the main supply to receiver again. Press and hold the SET button on the remote for 6 seconds within 60 seconds of turning the power on to the receiver.



- C. Press the buttons on the remote to run the fan. In general, performing point A, B, and C should repair the remote and receiver and will allow full control of the fan. If not, please do the next step.
- D. The DIP switches on the fans are set up at the factory. The DIP switch can be changed to any location in 16 options. (Eg. up-up-down-down).



- E. Please repeat the (A)-(C) steps to check the function.

If the issues still persist after following points (A) to (D) and there is still no control, please contact the local retailer for a new remote or transmitter.

Note: For your safety, a new receiver must be installed by a licensed electrician.

Note: While repairing the DC ceiling fan remote and receiver is in process, the fan operates at highest speed with REVERSE mode automatically for 90 seconds and then operates with FORWARD mode for 90 seconds. During the pairing process, do not press any key on the remote.



TROUBLE-SHOOTING CHECKLIST

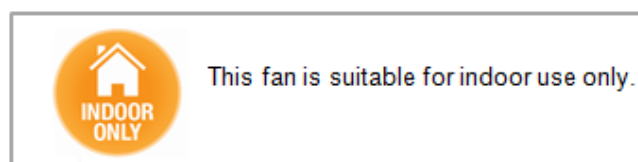
Always check the “Trouble Shooting Checklist” included in this booklet before calling for service. Unnecessary calls are inconvenient for all and can attract a service charge.

For your safety, ensure the ceiling fan is OFF before carrying out any troubleshooting.

TROUBLE	PROBABLE CAUSES	SUGGESTED REMEDY
1. Fan will not start. (Warning: The ceiling fan must be switched OFF and the assistance of a licensed electrician may be required.)	A. Fuse or circuit breaker blown.	Check main and branch circuit fuses or circuit breakers.
	B. Loose power connections to the fan. (Normally occurs during installation.)	Check power connection to the fan. This must be performed by a licensed electrician.
	C. No response from the remote transmitter.	- Battery is low. Replace batteries. - Check if correct remote transmitter is paired with the receiver.
	D. Switch the fan ON via the mains switch.	Check if there is power to the fan.
2. Fan wobbles. (Refer to the Wobble section in this manual for further information.)	A. Fan blades are not horizontal to the ceiling.	Refer to “wobble” section in this manual. - The blade may require adjustment at the blade mounting screws. - The blade is out of shape, thus causing wobbling. A new blade set will be required to be replaced. Contact retailer for further details.
	B. Blade screws are loose.	Make sure all screws are securely fastened.
	C. Blade/s are out of shape.	Remove the blades and lay on a flat surface to check if they are out of shape. Contact retailer for further details.
3. Fan sounds noisy.	A. Top canopy is touching the ceiling.	Lower canopy from ceiling to ensure a minimum 3mm clearance.
	B. Loose fan blade screws.	Re-tighten all screws on the fan blades but never over-tighten.
	C. Ceiling fan not secured against the ceiling.	Re-tighten all screws in the hanging bracket or plate.
	D. Incorrect speed controller.	Change the controller to the one supplied. (Must be performed by a licensed electrician.)
4. Mechanical noise.	A. Allow at least for 8 hours settling-in period.	

TECHNICAL INFORMATION

AIRFUSION RADAR SERIES DC FAN models	Rated Voltage	Rated power (motor)	Battery for remote
RADAR FAN	220-240VAC	35W	1 x 12V 23AE



WARRANTY CONDITIONS

IN AUSTRALIA / NEW ZEALAND – Please refer to the separated WARRANTY STATEMENT.

IN EUROPE – If you are a European customer please contact the retail outlet where the fan was purchased for a warranty service.



This fan is suitable for indoor use only.

D

WIR GRATULIEREN ZUM KAUF DIESES GERÄTES

Herzlichen Glückwunsch zum Kauf dieses mit der neuesten Stromspartechnologie ausgerüsteten Ventilators. Dieser Ventilator wird mit DC Gleichstrom (Direct Current) betrieben, wodurch das Gerät extrem viel Strom spart, aber dennoch eine hohe Ventilator-Effizienz und ein leiser Betrieb des Gerätes erzielt werden.

Energiesparend – Der DC Gleichstrommotor repräsentiert die neueste Technologie im Ventilator-Design. Der Motor ist hoch-effizient und spart bis zu 65% Energie im Vergleich mit Ventilatoren, die mit traditionellen AC-Motoren ausgestattet sind.

Geräuscharmer Betrieb – Der DC Gleichstrommotor dieses Ventilators arbeitet mit stabilisiertem Gleichstrom, wodurch der Geräuschpegel des Motors sehr effektiv reduziert wird.


Niedrige Betriebstemperatur – DC-Strom kann sehr effizient reguliert werden, wodurch sich die Betriebstemperatur des Motors auf unter 50 Grad reduziert. Da durch den Gleichstrombetrieb eine niedrigere Betriebstemperatur erzielt wird, verlängert sich die Lebensdauer des Motors im Vergleich zu standardmäßigen AC Wechselstrommotoren.

Herkömmliche AC Deckenventilatoren mit 6-stufigen Steuerungen bieten dennoch nur 3 Geschwindigkeitsstufen an; dieser DC-Deckenventilator kann effektiv 6 Geschwindigkeitsstufen regulieren und bietet somit eine größere Auswahl an Geschwindigkeitseinstellungen an.

SICHERHEITSHINWEISE

- 1) Dieses Gerät kann von Kindern im Alter ab 8 Jahren und von Personen mit verminderten körperlichen, sensorischen oder geistigen Fähigkeiten, sowie von Personen, die keine Erfahrung im Umgang mit dem Gerät haben, eingesetzt werden, wenn diese ordnungsgemäß beaufsichtigt, und über den sicheren und sachgemäßen Gebrauch des Gerätes sowie die bezüglichen Gefahren unterrichtet werden. Reinigungs- und Wartungsarbeiten jeder Art dürfen niemals von Kindern ausgeführt werden, wenn diese nicht von einem Erwachsenen dabei beaufsichtigt werden..
- 2) Kinder müssen beim Einsatz dieses Gerätes beaufsichtigt werden, um sicherzustellen, dass diese nicht mit dem Gerät spielen.
- 3) Ein allpoliger Trennschalter muss gemäß den örtlichen Schutzvorschriften in die Festverkabelung dieses Ventilators



integriert werden.  Entsorgen Sie elektrische Geräte nicht mit dem Hausmüll (Restmüll), sondern achten Sie auf umweltgerechte Entsorgung. Falls Sie sich hierzu nicht sicher sind, dann erkundigen Sie sich bitte bei Ihrer örtlichen Behörde nach den sachgerechten Entsorgungsmöglichkeiten. Elektrische Geräte, die auf eine Müllhalde geworfen werden, können Gefahrstoffe in das Grundwasser abgeben, die in die Nahrungskette gelangen und dadurch gesundheitsschädlich sind.

- 4) Die Decke, an die dieser Ventilator befestigt werden soll, muss ein Gewicht von mindestens 30 kg tragen können..
- 5) In Europa sollte der Ventilator so an der Decke befestigt werden, dass sich die Ventilatorflügel mindestens 2,3m über dem Boden befinden..
- 6) In Australien sollte der Ventilator so an der Decke befestigt werden, dass sich die Ventilatorflügel mindestens 2,1m über dem Boden befinden.
- 7) Der Ventilator ist ausschließlich für die Verwendung in geschlossenen Räumen geschaffen.
- 8) Die Installation sollte nur von einem zugelassenen Elektriker vorgenommen werden.



VOR DER INSTALLATION

Packen Sie Ihren Ventilator aus, und überprüfen Sie den Packungsinhalt. In der Verkaufspackung sollten sich die folgenden Komponenten befinden:

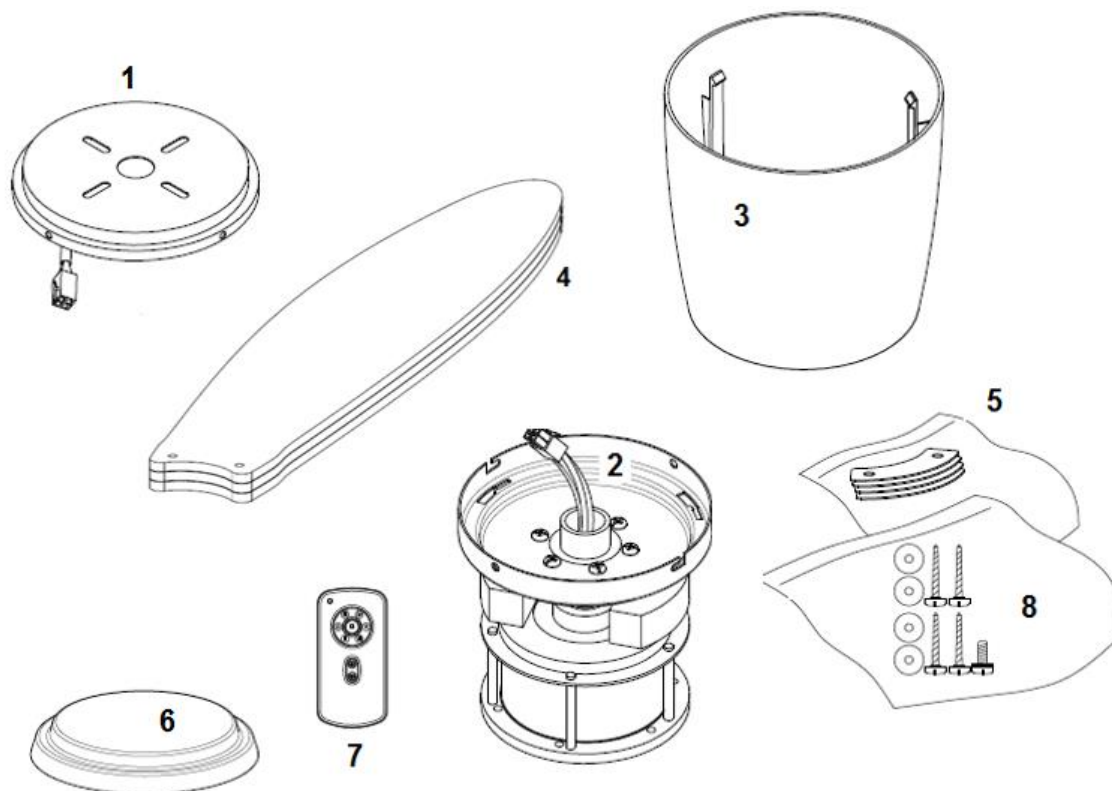


Abb. 2

- | | | | |
|---|--|----|---|
| 1 | Deckenhalterung x 1 | 7 | Fernbedienungs-Sensor mit Halterung x 1 Set |
| 2 | Ventilatoreinheit mit Hängeplatte, Empfänger und Motor x 1 | 8 | Schraubenbeutel:
Ersatz-Motorschraube x 1
Beilegscheiben x 4
Holzschrauben x 4 |
| 3 | Motorgehäuse x 1 | 9 | Schraube für Fernbedienungshalterung x 2
(nicht abgebildet) |
| 4 | Ventilatorflügel x 4 | 10 | 12V Batterie für Fernbedienung x 1 (nicht abgebildet) |
| 5 | Ventilatorflügel-Gegenhalterungen x 4 | | |
| 6 | Untere Abdeckung x 1 | | |



BENÖTIGTE WERKZEUGE

BENÖTIGTE WERKZEUGE:

- Phillips-/Schlitzschraubenzieher
- Zange
- Verstellbarer Schraubenschlüssel
- Stehleiter
- Kabelzange
- Kabel, Zuleitungskabel gemäß den örtlichen, nationalen und regionalen Vorschriften mit entsprechender Kodierung.

INSTALLATION DER HALTERUNG

Der Deckenventilator muss an einem Ort installiert werden, wo die Flügelspitzen mindestens einen Abstand von 30cm zum nächsten Gegenstand oder der Wand haben.

Befestigen Sie die Halterung an einem sicheren Deckenträger oder einer strukturell äquivalenten Stelle, die ein Gewicht von mindestens 30KG tragen kann, und verwenden Sie dazu die zwei mitgelieferten Schrauben. Stellen Sie sicher, dass die Schraubengewinde mindestens 30mm in den Untergrund eingedreht werden.

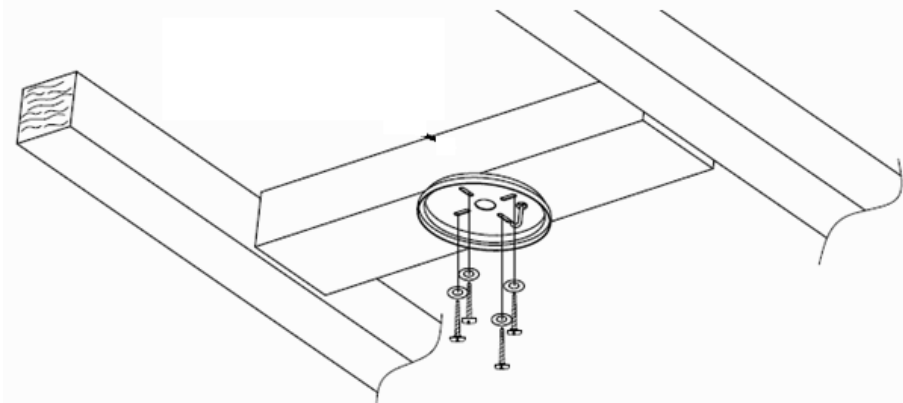


Abb. 2

HINWEIS: Die für die Halterung mitgelieferten Schrauben sind nur für den Einsatz mit Holzstrukturen geeignet. Für andere Materialien **MÜSSEN** entsprechend geeignete Schraubentypen verwendet werden.

Installation an geneigten Decken

Dieser Deckenventilator **KANN NICHT** an einer geneigten Decke installiert werden.

AUFHÄNGUNG DER VENTILATOREINHEIT

- Setzen Sie die Ventilatoreinheit an der Halterung (1) an und führen Sie die J-Laschen der Deckenhalterung durch die Öffnungen der Halterung (4) an der Ventilatoreinheit, und drehen Sie im Gegenuhrzeigersinn, um die Ventilatoreinheit (3) an der Deckenhalterung (4) zu befestigen. Abb. 3
- Verbinden Sie Stecker und Buchse (2). Abb. 3
- Führen Sie die Verkabelung gemäß dem nachfolgenden Schaltdiagramm aus. (Abbildung 4).



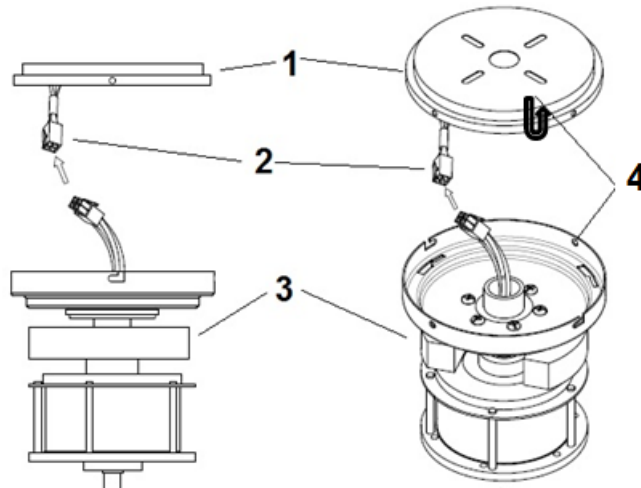


Abb. 3

VORBEREITUNG UND AUSFÜHRUNG DES ELEKTRISCHEN SCHALTDIAGRAMMS --- SCHALTDIAGRAMM (Abb. 4)

WARNUNG: ZU IHRER EIGENEN SICHERHEIT, DÜRFEN ELEKTRISCHE ANSCHLUSSARBEITEN NUR VON EINEM ZUGELASSENEN ELEKTRIKER AUSGEFÜHRT WERDEN.

ANMERKUNG: EIN ZUSÄTZLICHER, ALLPOLIGER TRENNSCHALTER MUSS FÜR DEN FEST INSTALLIERTEN STROMKREIS VORHANDEN SEIN.

ANMERKUNG: FALLS ZWEI ODER MEHR DECKENVENTILATOREN AN EINEM ORT INSTALLIERT SIND, MUSS EIN SEPARATER TRENNSCHALTER FÜR JEDEN VENTILATOR VORHANDEN SEIN. DIES IST ZUR PROGRAMMIERUNG DER KOPPLUNG DES SENDERS DER FERNBEDIENUNG MIT DEM EMPFÄNGER DES VENTILATORS NOTWENDIG.

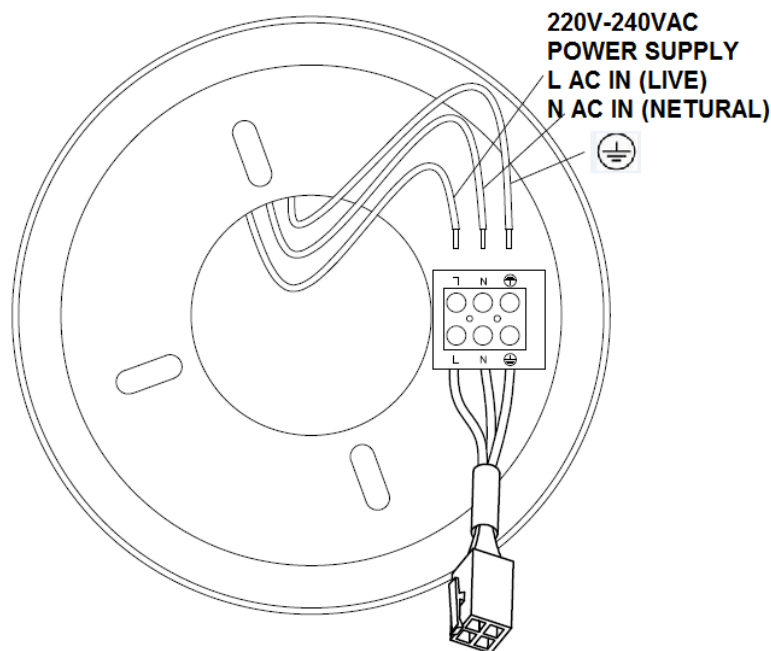


Abb. 4

**AC220-240V
STROMVERSORGUNG
L AC IN (STROHMFÜHREND)
N AC IN (NEUTRALLEITUNG)**

INSTALLATION DER MOTORABDECKUNG

- Lösen Sie die 2 Schrauben (2) der Halterung. Abb. 5
- Drehen Sie die 2 Schrauben (1) ca. eine halbe Umdrehung aus der Halterung. Abb. 5
- Setzen Sie die Halterung der Ventilatoreinheit an der Deckenhalterung an, und führen Sie die L-Laschen in die Schrauben (1) an der Deckenhalterung ein. Drehen Sie die Ventilatoreinheit im Gegenuhrzeigersinn, bis diese fest eingerastet ist, und sichern Sie die Verbindung, indem Sie die Schrauben (2) an der Ventilatorhalterung fest anziehen. Vermeiden Sie die Beschädigung der zuvor ausgeführten, elektrischen Verkabelung.
- Bringen Sie abschließend die Abdeckung des Motorgehäuses an der Hängeplatte an, und sichern Sie diese, indem Sie die Haken (3) durch die Schlitze einführen und im Gegenuhrzeigersinn drehen, um diese zu sichern.

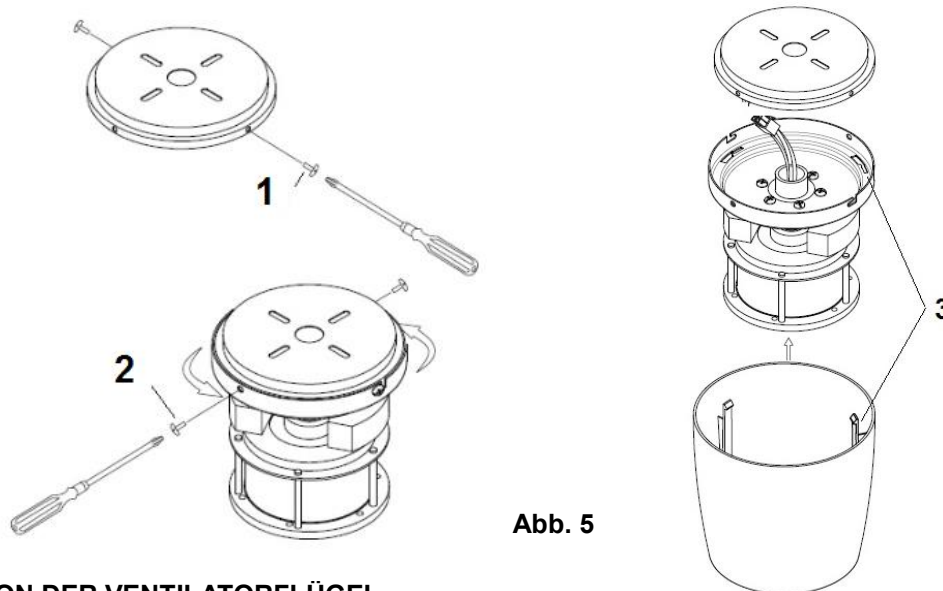


Abb. 5

INSTALLATION DER VENTILATORFLÜGEL

- Führen Sie die Flügelschrauben zur Befestigung der Ventilatorflügel in der folgenden Reihenfolge ein – Ventilatorflügel-Gegenstück (2) und Ventilatorflügel (1). Bringen Sie die Flügel an der Motoreinheit an, und sichern Sie diese, indem Sie die 2 Schrauben (3) fest anziehen. Abb. 6
- Wiederholen Sie den Vorgang mit den verbleibenden Ventilatorflügeln.
- Installieren Sie abschließend die untere Abdeckung (4) am Schaft, indem Sie dieses im Uhrzeigersinn drehen.

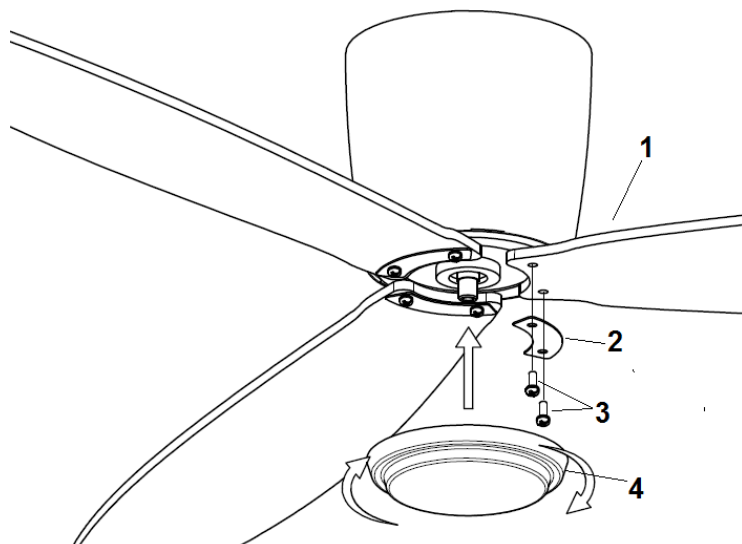


Abb. 6

LICHTBAUSATZ Installation (Lichtbausatz - optional)

Hinweis: Der Lichtbausatz muss von einem zugelassenen Elektriker installiert werden.

HINWEIS: Der Lichtbausatz ist nur für einige Deckenventilatormodelle als zusätzlicher Lichtbausatz verfügbar.

1. Nehmen Sie die untere Abdeckung vom Schaft ab.
2. Entfernen Sie die Aufschumpfisolierung vom Kabelanschluss.
3. Beachten Sie die Gebrauchsanleitung für die Installation des Lichtbausatzes.

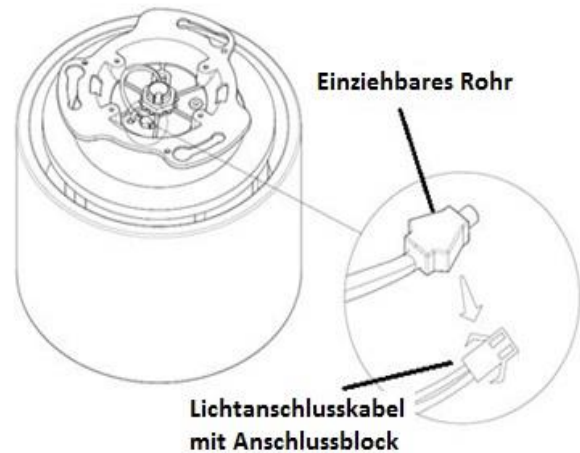


Abb. 7

EINSATZ DES VENTILATORS MIT DER FERNBEDIENUNG

Abstimmung von Fernbedienung und Empfänger – wenn zwei oder mehrere DC Deckenventilatoren in einem Raum installiert sind.

Wenn zwei oder mehrere Deckenventilatoren nahe beieinander installiert sind, dann ist es vorteilhaft wenn die jeweils einem Ventilator zugeordneten Fernbedienungen/Empfänger auf jeweils unterschiedliche Ansteuerungskodes eingestellt sind, so dass die Einstellung eines Ventilators die Einstellungen für die anderen Ventilatoren in der Nähe nicht beeinflusst.

Die DIP-Schalter für den Sender (an der Fernbedienung) befinden sich im Batteriefach der Fernbedienung. Durch die Konfigurierung der DIP-Schalter wird den Sendern/Empfängern für die einzelnen Ventilatoren ein jeweils eigener Sendercode zugeordnet.

HINWEIS: Stellen Sie sicher, dass Sie einen allpoligen Trennschalter in der Wandverkabelung für jeden Ventilator installiert haben wenn Sie die DIP-Schalter Codeeinstellungen vornehmen.

HINWEIS: Stellen Sie sicher, dass der Empfänger **EIN**-geschaltet ist, bevor Sie die Codes der Sender und Empfänger aufeinander abstimmen.

Abstimmung von Sender/Empfänger für Deckenventilator 1:

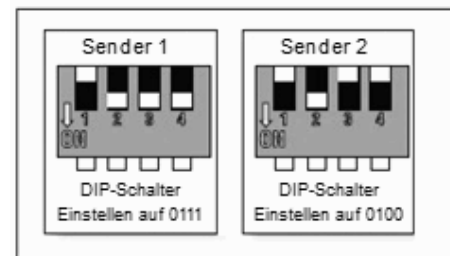
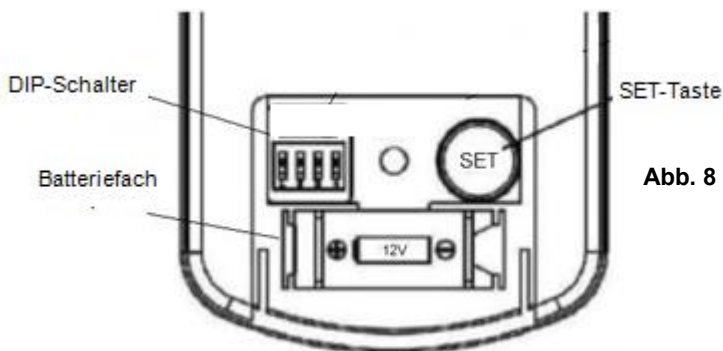
- Schalten Sie beide Deckenventilatoren 1 und 2 mittels des Schalters für die Netzstromversorgung aus.
- Öffnen Sie die Abdeckung des Batteriefachs für den Sender, um die DIP-Schalter freizulegen. Diese Fernbedienung wird Sender 1.
- Ändern Sie die Einstellungen für die DIP-Schalter in Fernbedienung 1, so dass die Einstellungen von Fernbedienung 2 verschieden sind.
- Legen Sie die DC12V Batterie wieder in das Batteriefach ein. Achten Sie auf die korrekte Ausrichtung der Batterie im Batteriefach.
- Schalten Sie die Stromversorgung zu Empfänger 1 ein. Lassen Sie die Stromversorgung für Empfänger 2 ausgeschaltet. (Für jeden Deckenventilator muss einen eigener, allpoliger Trennschalter installiert sein, so dass nur der Deckenventilator mit dem entsprechenden Sender synchronisiert wird, für den die Stromversorgung „EIN“-geschaltet wird).
- Halten Sie die SET-Taste für **Sender 1** ca. 6 Sekunden innerhalb eines Zeitintervalls von 60 Sekunden nach der Wiederherstellung der Stromversorgung zum Empfänger von Deckenventilator 1 gedrückt.
- Der Sender und der Empfänger für Ventilator 1 sollten nun miteinander synchronisiert sein. Schalten Sie Ventilator 1 AUS/EIN und ändern Sie die Geschwindigkeitseinstellungen, um die korrekte Funktion der Fernbedienung für diesen Ventilator zu testen.

Airfusion Radar Installation Instructions

Einstellung für DC Deckenventilator 2:

- Schalten Sie beide Deckenventilatoren 1 und 2 mittels des Schalters für die Netzstromversorgung aus.
- Öffnen Sie die Abdeckung des Batteriefachs für den Sender, um die DIP-Schalter freizulegen. Diese Fernbedienung wird Sender 2.
- Ändern Sie die Einstellungen für die DIP-Schalter in Fernbedienung 2, so dass die Einstellungen von Fernbedienung 1 verschieden sind.
- Legen Sie die DC12V Batterie wieder in das Batteriefach ein. Achten Sie auf die korrekte Ausrichtung der Batterie im Batteriefach.
- Schalten Sie die Stromversorgung zu Empfänger 2 ein. Lassen Sie die Stromversorgung für Empfänger 1 ausgeschaltet. (Für jeden Deckenventilator muss einen eigener, allpoliger Trennschalter installiert sein, so dass nur der Deckenventilator mit dem entsprechenden Sender synchronisiert wird, für den die Stromversorgung „EIN“-geschaltet wird).
- Halten Sie die SET-Taste für **Sender 2** ca. 6 Sekunden innerhalb eines Zeitintervalls von 60 Sekunden nach der Wiederherstellung der Stromversorgung zum Empfänger von Deckenventilator 1 gedrückt.
- Der Sender und der Empfänger für Ventilator 1 sollten nun miteinander synchronisiert sein. Schalten Sie Ventilator 2 „AUS/EIN“ und ändern Sie die Geschwindigkeitseinstellungen, um die korrekte Funktion der Fernbedienung für diesen Ventilator zu testen.

Hinweis: Die Synchronisierung von Sender und Empfänger ist nicht nötig, wenn nur ein Deckenventilator installiert ist. Wenn mehr als zwei Deckenventilatoren nahe beieinander installiert sind, dann beachten Sie bitte die obigen Hinweise.



Funktionstasten der Fernbedienung

○,1- VENTILATOR-GESCHWINDIGKEIT-TASTEN:

Es sind 6 verschiedene Geschwindigkeitseinstellungen vorhanden. Taste ○,I stellt die niedrigste Geschwindigkeit ein, und Taste ○,VI stellt die höchste Geschwindigkeit ein.

HINWEIS: WENN SIE DEN VENTILATOR ZUM ERSTEN MAL EINSCHALTEN, ODER DIE STROMVERSORGUNG



ZUR VENTILATORSTEUERUNG WIEDER EINSCHALTEN; DANN MÜSSEN SIE ZUERST DIE VENTILATOR-BETRIEBSSTUFE “○,VI” EINSTELLEN; UND DANN KÖNNEN SIE ANSCHLIESSEND EINE NIEDRIGERE BETRIEBSSTUFE EINSTELLEN.

DER DC-MOTOR DES VENTILATORS BENÖTIGT CA. 5-10 SEKUNDEN, UM AUF DIE EINSTELLUNG EINER NEUEN BETRIEBSSTUFE ODER DER LAUFRICHTUNG DES VENTILATORS ZU REAGIEREN, DA DER DC-VENTILATOR-MOTOR MIT EINEM SENSOR AUSGESTATTET IST, DER DIE STROMZUFUHR ZUM MOTOR STEUERT.

○,2- VENTILATOR “AUS”-TASTE:

Betätigen Sie diese Taste, um den Ventilator auszuschalten.

○,3- LAUFRICHTUNG UMKEHREN-TASTE.

Betätigen Sie diese Taste, um die Laufrichtung des Ventilators umzuschalten. Der Ventilator muss in Betrieb sein, um die Laufrichtung umkehren zu können.

○,4- LICHT-STEUERUNG-TASTE:

Betätigen Sie die Taste, um das Licht „ein/aus“ zu schalten.

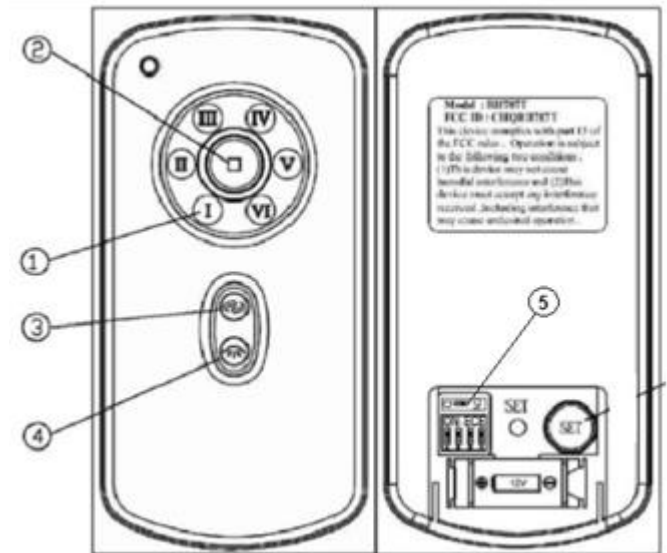


Abb. 9

DER EMPFÄNGER IST MIT DEN FOLGENDEN SCHUTZFUNKTIONEN AUSGESTATTET:

- Verriegelung: Der Empfänger hat eine integrierte Sicherungsfunktion, die beim Blockieren des Ventilators während des Betriebs anspricht. Der Motor wird angehalten, und wenn der Ventilator länger als 30 Sekunden blockiert ist, dann wird die Stromzufuhr unterbrochen. Bitte entfernen Sie alle Behinderungen bevor Sie den Ventilator erneut einschalten. Um eine Rücksetzung auszuführen schalten Sie die Stromversorgung zum Motor einfach aus, und dann wieder ein.
- Über 80W Lastschutz: Wenn der Empfänger eine Betriebslast von über 80W misst, dann wird die Stromzufuhr unterbrochen und der Ventilatormotor hält unverzüglich an. Schalten Sie die Stromzufuhr ca. 5 Sekunden aus und dann wieder ein, um den Ventilator wieder zu starten.

ERNEUTE SYNCHRONISIERUNG DES VENTILATOR-EMPFÄNGERS & DER FERNBEDIENUNG

Falls die Stromversorgung der Fernbedienung oder des Empfängers nach der Installation oder während des regulären Betriebs unterbrochen wird, dann müssen Sie die Fernbedienung und den Empfänger erneut synchronisieren. Nachfolgend finden Sie eine Liste der Funktionsstörungen wenn die Synchronisierungseinstellungen gelöscht wurden, und Hinweise dazu wie eine erneute Synchronisierung der Fernbedienung und des Empfängers für den DC-Deckenventilator auszuführen ist.

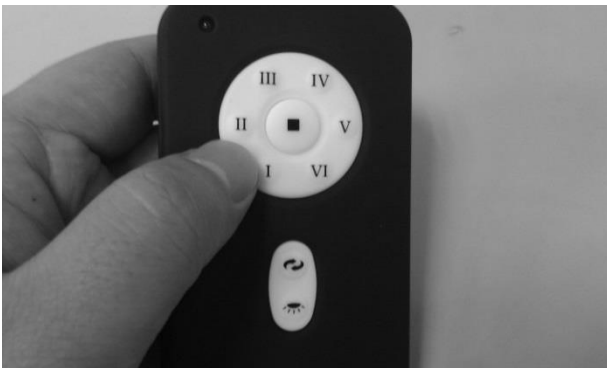
Störungen:

- Keine Steuerung möglich – Ventilator funktioniert nur auf höchster Betriebsstufe nach der Installation.
- Keine Steuerung möglich – Ventilator-Laufrichtung kann nach Installation nicht umgekehrt werden.
- Keine Steuerung möglich – Fernbedienung kann nicht mit dem Empfänger kommunizieren.

Abhilfe:

Wenn der Ventilator kontinuierlich auf der höchsten Geschwindigkeitsstufe funktioniert, dann bedeutet dies, dass die Installation korrekt ausgeführt wurde. Wenn der Ventilator nur in der höchsten Betriebsstufe funktioniert, oder wenn die Laufrichtung nicht umgeschaltet werden kann, dann sollten Sie die Fernbedienung und den Empfänger erneut synchronisieren. Bitte beachten Sie dazu die nachfolgenden Hinweise:

- A. Nehmen Sie die Batteriefachabdeckung der Fernbedienung ab, und überprüfen Sie die Einstellungen neben dem 434 MHz Aufkleber; stellen Sie sicher, dass die Batterie korrekt installiert ist, und dass der rote LED-Indikator blinkt, wodurch angezeigt wird, dass die Fernbedienung korrekt funktioniert.



- B. Schalten Sie die Stromversorgung zum Empfänger mindestens 30 Sekunden lang ab, und schalten Sie anschließend die Stromversorgung zum Empfänger wieder ein. Halten Sie nun die SET-Taste der **Fernbedienung** 6 Sekunden lang innerhalb von 60 Sekunden nach dem Wiedereinschalten der Stromversorgung zum Empfänger gedrückt.



Airfusion Radar Installation Instructions

- C. Betätigen Sie die Tasten der Fernbedienung, um die Funktionen der Fernbedienung zu testen. Normalerweise kann die Synchronisierung von Fernbedienung und Empfänger durch Ausführen der obigen Schritte A, B und C wieder repariert werden und die Steuerung des Ventilators funktioniert anschließend wieder normal. Falls dies nicht der Fall sein sollte, dann beachten Sie bitte die nachfolgenden Hinweise.
- D. Alle DIP-Schalter des Ventilators befinden sich in der Werkseinstellung in der oberen Position. Sie können die DIP-Schalter in 16 unterschiedliche Einstellungen bringen (Beispiel: auf-auf-ab-ab).



- E. Bitte wiederholen Sie anschließend die Schritte (A)~(C), um die Funktion zu überprüfen.

Falls die Störung auch noch nicht behoben ist, nachdem Sie die Schritte (A) bis (D) ausgeführt haben, dann rufen Sie bitte die Lucci Kundendienst-Nummer an, oder treten Sie mit dem nächsten Beacon Beleuchtungsfachgeschäft in Kontakt, um Ihre Fernbedienung oder den Empfänger des Ventilators umzutauschen.

Hinweis: Um Ihre Sicherheit zu gewährleisten, muss der neue Empfänger von einem zugelassenen Elektriker oder Elektrofachmann installiert werden.

Hinweis: Während die Synchronisation der Fernbedienung für den DC Deckenventilator und den Empfänger stattfindet, funktioniert der Ventilator automatisch 90 Sekunden lang in der höchsten Geschwindigkeitseinstellung und im RÜCKWÄRTS-Modus (REVERSE), und anschließend funktioniert der Ventilator automatisch 90 Sekunden lang im VORWÄRTS-Modus (FORWARD). Betätigen Sie während der Synchronisation keine Taste an der Fernbedienung.

CHECKLISTE ZUR STÖRUNGSSUCHE

Beachten Sie stets die nachfolgende "Störungssuche-Checkliste", die in dieser Anleitung enthalten ist, bevor Sie den Kundendienst anrufen. Die unnötige Inanspruchnahme von Serviceleistungen kann kostenpflichtig sein.

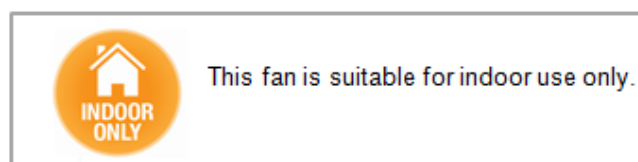
Stellen Sie sicher, dass die Stromversorgung des Deckenventilators vollständig AUS-geschaltet ist, bevor Sie mit der Störungssuche beginnen.

STÖRUNG	MÖGLICHE URSACHE	VORGESCHLAGENE ABHILFE
1. Ventilator startet nicht mehr. (Warnung: Der Deckenventilator muss AUS-geschaltet	A. Sicherung oder Fehlerstromschalter haben angesprochen.	Überprüfen Sie die Sicherungen und Fehlerstromschalter für den Haupt- und die Nebenstromkreise.

werden und Sie sollten einen qualifizierten und zugelassenen Elektriker hinzuziehen.)	B. Loser Stromanschluss zum Ventilator. (Diese Störung tritt normalerweise bei der Erstinbetriebnahme auf.)	Überprüfen Sie die Leitungsanschlüsse zum Ventilator. Diese Arbeiten müssen von einem zugelassenen Elektriker ausgeführt werden.
	C. Keine Signale von der Fernbedienung.	- Batterie ist schwach. Wechseln Sie die Batterie aus. - Überprüfen Sie, ob die Fernbedienung korrekt mit dem Empfänger synchronisiert ist.
	D. Schalten Sie den Ventilator mittels des Hauptschalters EIN.	Überprüfen Sie, ob die Stromversorgung zum Ventilator vorhanden ist.
2. Ventilator läuft unrund: (Beachten Sie den Abschnitt dieser Anleitung der sich auf Unrundlaufen bezieht für weitere Hinweise zu dieser Störungsart.)	A. Ventilatorflügel befinden sich horizontal nicht in gleichem Abstand zur Decke.	Beachten Sie den Abschnitt zur Behebung von Störungen aufgrund von "Unrundlaufen" in dieser Anleitung. - Es kann sein, dass Sie die Ausrichtung der Ventilatorflügel an der Halterung mittels der Schrauben nachjustieren müssen; - Ventilatorflügel wurden verformt und verursachen so die Störungen der Laufruhe. Es kann sein dass Sie einen neuen Ventilatorflügelsatz installieren müssen. Treten Sie mit Ihrem Einzelhändler für weitere Einzelheiten in Kontakt.
	B. Ventilatorflügelschrauben sind lose.	Stellen Sie sicher, dass alle Schrauben fest angezogen wurden.
	C. Ventilatorflügel sind verbogen.	Nehmen Sie die Ventilatorflügel vom Gerät ab, und legen Sie dies auf eine flache Oberfläche, um zu überprüfen, ob diese möglicherweise verformt sind. Treten Sie mit ihrem Fachhändler für weitere Einzelheiten in Kontakt.
3. Der Ventilator scheint erzeugt Geräusche.	A. Die Manschette berührt die Decke.	Lassen Sie die Manschette etwas herunter und stellen Sie sicher dass mindestens ein Abstand von 3 mm zur Decke eingehalten wird.
	B. Lose Schrauben der Ventilatorflügel.	Ziehen Sie die Halteschrauben für die Ventilatorflügel an, doch die Schrauben nicht überdrehen oder zu fest anziehen.
	C. Deckenventilator nicht fest an der Decke befestigt.	Ziehen Sie die Schrauben der Deckenhalterung nach.
	D. Falscher Geschwindigkeitsregler.	Verwenden Sie den für dieses Gerät mitgelieferten Empfänger für die Fernbedienung. (Diese Arbeiten müssen von einem zugelassenen Elektriker ausgeführt werden.)
4. Mechanische Geräusche	A. Lassen Sie den Ventilator mindestens 8 Stunden einlaufen.	
5. Licht schaltet nicht EIN. (NUR für Geräte mit optionaler Beleuchtung)	Der Schirm/die Lampe sind schadhaft.	Schirm/Lampe austauschen.

TECHNISCHE DATEN

AIRFUSION RADAR SERIES DC VENTILATOR-Modelle	Betriebsspannung	Leistungsaufnahme (Motor)	Batterie für Fernbedienung
RADAR FAN	220-240VAC	35W	1 x 12V 23AE



WARRANTY CONDITIONS

IN AUSTRALIA / NEW ZEALAND CUSTOMER – Please refer to the separated WARRANTY STATEMENT.

IN EUROPA – Falls Sie ein Kunde in Europa sind, dann treten Sie für eventuelle Garantieleistungen bitte mit dem Fachgeschäft in Kontakt, bei dem Sie den Ventilator gekauft haben.



F

FÉLICITATIONS POUR VOTRE ACHAT

Félicitations pour l'achat de ce ventilateur dernier cri en termes d'économie d'énergie. Ce ventilateur fonctionne sur alimentation CC (courant continu) ce qui lui procure l'avantage d'une grande efficacité énergétique tout en conservant un grand volume de circulation d'air et une utilisation silencieuse.

Economie d'énergie – le moteur CC est la dernière technologie en conception de ventilateur. Son moteur hautement efficace permet d'économiser jusqu'à 65% d'énergie par rapport aux ventilateurs fonctionnant avec des moteurs CA traditionnels.

Utilisation silencieuse – Ce moteur de ventilateur CC est programmé avec un courant stabilisé qui réduit efficacement le bruit du moteur.

Température d'utilisation basse – l'alimentation CC est gérée efficacement, ce qui permet de descendre la température d'utilisation du moteur à moins de 50 degrés. Cela permet d'obtenir un moteur beaucoup plus froid que celui d'un ventilateur CA conventionnel et augmente la durée d'utilisation du moteur.

Télécommande 6 vitesses -- les ventilateurs de plafond CA courants ne présentent généralement que trois vitesses, ce ventilateur CC est fourni avec une télécommande à six vitesses, ce qui donne plus de choix dans les niveaux de confort.

MESURES DE SÉCURITÉ

1. Cet appareil peut être utilisé par des enfants âgés de 8 ans et plus ou des personnes à capacités physiques, sensorielles ou mentales réduites ou manque d'expérience et de connaissances si elles ont été aidées ou instruites concernant l'utilisation de l'appareil en toute sécurité et comprenant les risques qu'ils entraînent. Le nettoyage et la maintenance ne doivent pas être effectués par des enfants sans surveillance.
2. Les enfants doivent être surveillés pour assurer qu'ils ne jouent pas avec l'appareil.
3. Un interrupteur de déconnexion multipolaire doit être intégré dans le câblage fixe, conformément aux règles de



câblage locaux. Ne jetez pas les appareils électriques avec les déchets municipaux non triés, utiliser les installations de collecte sélective. Contactez votre gouvernement local pour obtenir des informations concernant les systèmes de collecte disponibles. Si les appareils électriques sont éliminés dans des décharges ou des dépotoirs, des substances dangereuses peuvent s'infiltrer dans les eaux souterraines et entrer dans la chaîne alimentaire, affecter votre santé et votre bien-être.

4. La structure à laquelle le ventilateur doit être monté doit être capable de supporter un poids de 30 kg.
5. Le ventilateur doit être monté de tel sorte que les pales soient au moins **2.3** mètres au-dessus du sol en Europe.
6. Le ventilateur doit être monté de tel sorte que les pales soient au moins **2.1** mètres au-dessus du sol en Australie.
7. Ce ventilateur n'est approprié qu'en utilisation intérieure.
8. Seul un électricien agréé doit exécuter l'installation.



AVANT L'INSTALLATION

Déballer votre ventilateur et vérifiez les contenus. Vous devriez avoir ce qui suit :

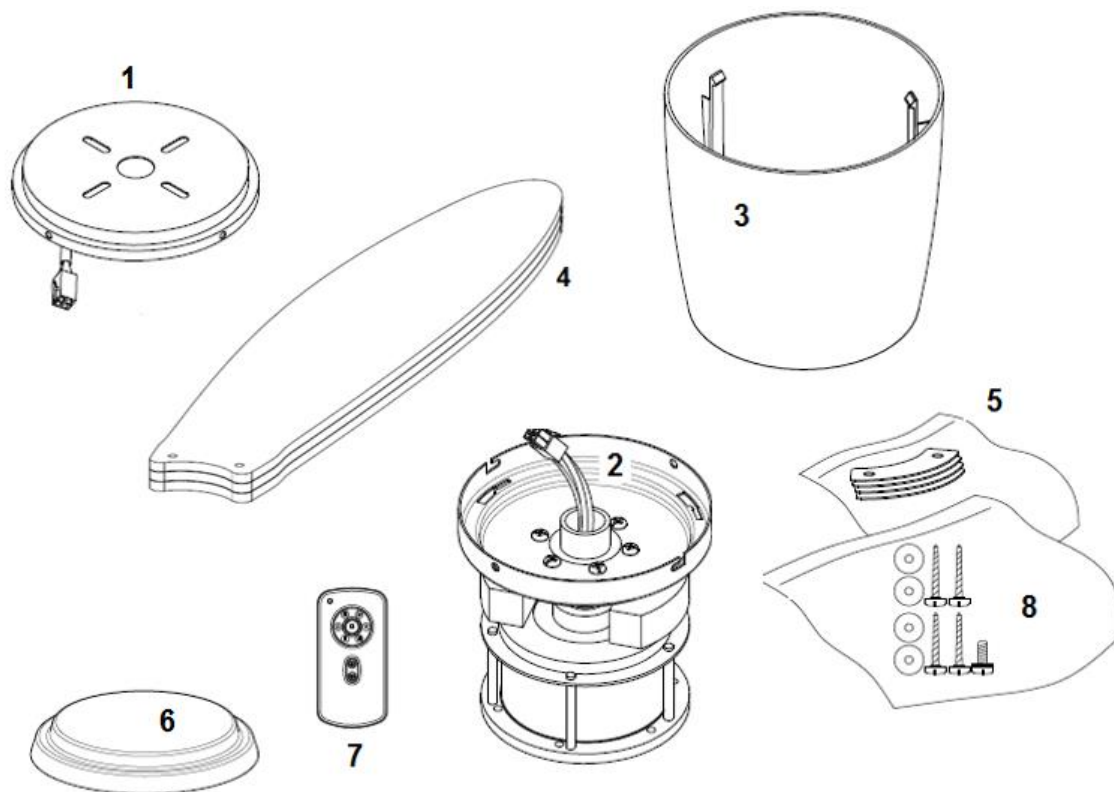


Fig. 1

- | | | | |
|---|--|----|---|
| 1 | Support de montage x 1 | 7 | Émetteur à distance avec support x 1 jeu |
| 2 | Ventilateur avec plaque de suspension, récepteur et moteur x 1 | 8 | Sac à vis:
Vis Supplémentaire de Moteur x 1
Rondelle Plate x 4
Vis bois 4 xz |
| 3 | Boîtier du moteur x 1 | 9 | Vis de support à distance x 2 (non montré) |
| 4 | Lame x 4 | 10 | 12V Batterie à distance x 1 (non montré) |
| 5 | Kit de support de la lamex 4 | | |
| 6 | Couvercle inférieur x 1 | | |



OUTILS NÉCESSAIRES

OUTILS NÉCESSAIRES :

- Tournevis Phillips / tête plate
- Paire de pince
- Clé universelle
- Escabeau
- Coupe-fil
- Le câblage et le câble d'alimentation doivent être aux normes des codes et règlements régionaux et nationaux concernant le câblage.

INSTALLATION DU CROCHET DE FIXATION

Le ventilateur de plafond doit être installé dans un endroit où les extrémités des pales seront éloignées de 300 mm des objets ou des murs les plus proches.

Fixez le crochet de suspension aux solives du plafond ou à une structure capable de supporter une charge d'au moins 30 kg, avec les deux vis longues fournies. Assurez-vous qu'au moins 30mm de la vis est insérée dans le support.

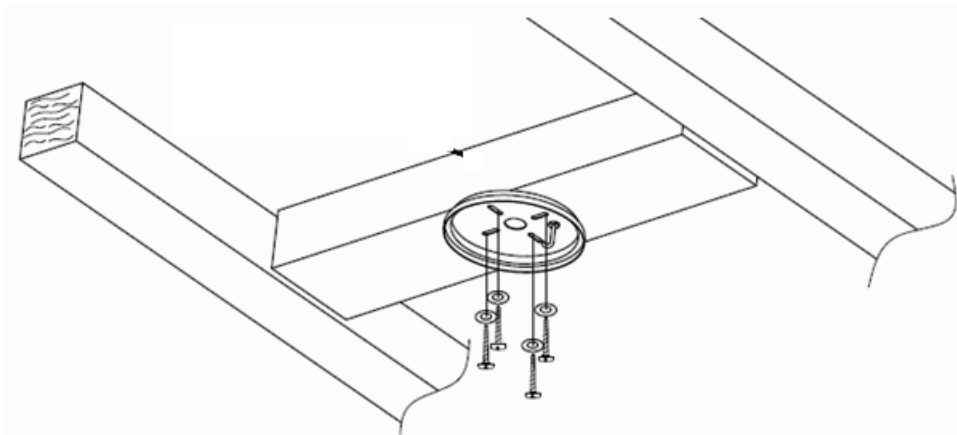


Fig. 2

REMARQUE : Les vis de crochet fournies sont conçues pour une utilisation sur une structure bois uniquement. Pour les structures autres que bois, vous DEVEZ utiliser des vis de type approprié.

Installation sur un plafond angulaire

Ce système de suspension de ventilateur Ne supporte pas une installation inclinée au plafond.

SUSPENDRE L'ENSEMBLE DU MOTEUR DU VENTILATEUR

- Soulevez l'assemblage du ventilateur vers le support de montage (1) et laissez le crochet en J du support de montage (4) passer par le trou de la plaque de suspension et raccrocher l'ensemble de ventilateur(3).
- Branchez le connecteur mâle et femelle ensemble (2). Fig. 3
- Effectuer le câblage électrique en utilisant le schéma ci-dessous(Figure. 4).



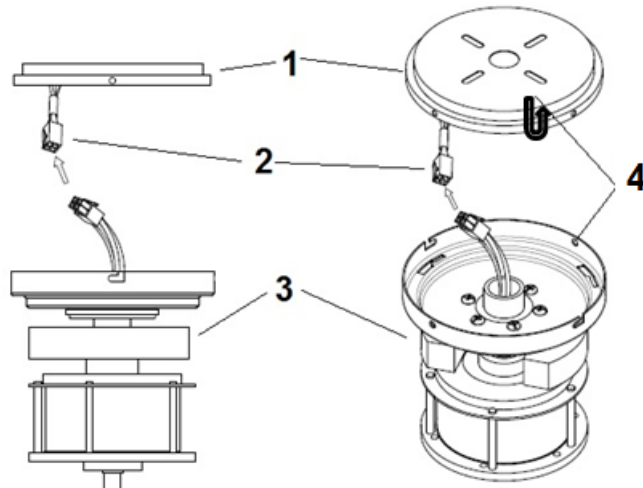


Fig. 3

PRÉPARER ET EFFECTUER LE CABLAGE ELECTRQUE --- SCHÉMA (FIG. 4)

AVERTISSEMENT: POUR VOTRE SECURITE, TOUTES LES CONNEXONS ELECTRIQUES DOIVENT ETRE EFFECTUEES PAR UN ELECTRICIEN QUALIFE

NOTE: UN POLE SUPPLEMENTARE D'INTERRUPTEURS DE DECONNEXION DOIT ETRE INCLU DANS LE CABLAGE FIXE.

NOTE: S'IL YA DEUX OU PLUS VENTILATEURS DC INSTALLES DANS LE MEME ENDROIT, UN INTERRUPTEUR D'ISOLATION EST NECESSAIRE POUR CHAQUE VENTILATEUR AU PLAFOND. CECI EST NECESSAIRE QUAND LA PROGRAMMATION DE LA TELECOMMANDE ET DU RECEPTEUR DE PAIRE SONT ENSEMBLE.

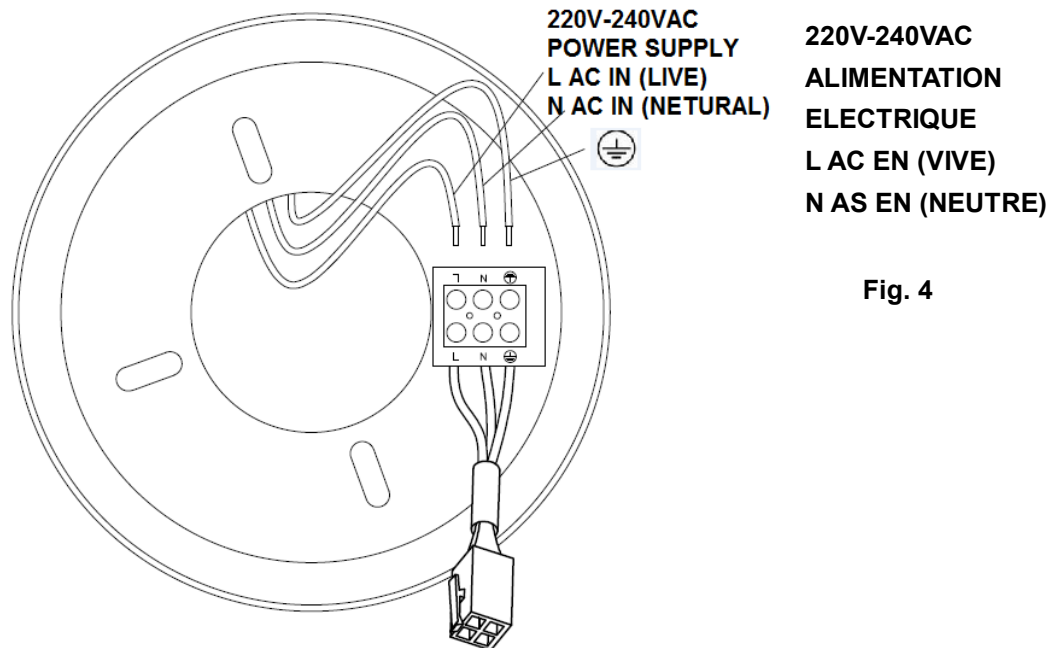


Fig. 4

INSTALLER LA TOILE DE COUVERTURE

- Desserrer les deux vis (2) du support de montage . Fig. 5
- Desserrer deux vis (1) de la moitié du fil du support de montage. Fig. 5
- Soulevez la plaque de suspension du ventilateur ensemble jusqu'au support de montage et de laisser la fente en forme de L sur la plaque de suspension passer par les vis (1) sur le support de montage. Tournez la plaque de suspension jusqu'à ce qu'il se verrouille en place à la section d'extrémité de la fente en forme de L et fixez-le en serrant les deux vis (2). Éviter d'endommager le câblage électrique préparé précédemment.
- Fixez Enfin, le Boîtier du moteur à la plaque de suspension et fixez-le en appuyant sur les crochets (3) dans les trous à sous et la tourner dans le sens antihoraire.

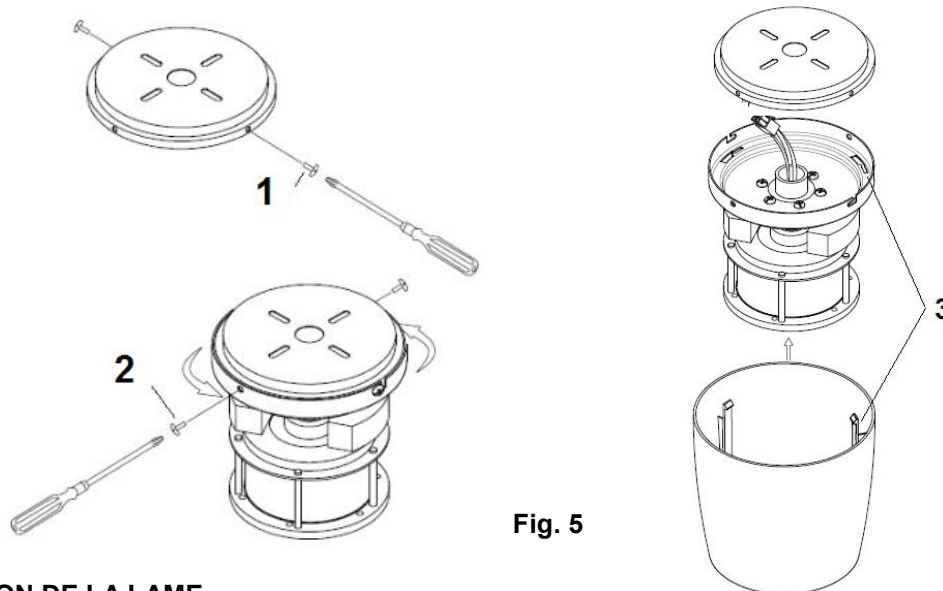


Fig. 5

INSTALLATION DE LA LAME

- Insérez les vis de lame (1) sur l'ensemble de lames dans l'ordre suivant, kit de support (2) et lame (1). Fixez l'assemblage de la lame pour le moteur (2) et le fixer en serrant les deux vis (3). Fig. 6.
- Répétez l'opération pour installer les autres lames.
- Installer Enfin le couvercle de fond (4) à l'arbre du moteur en le faisant tourner dans le sens horaire. Fig.9.

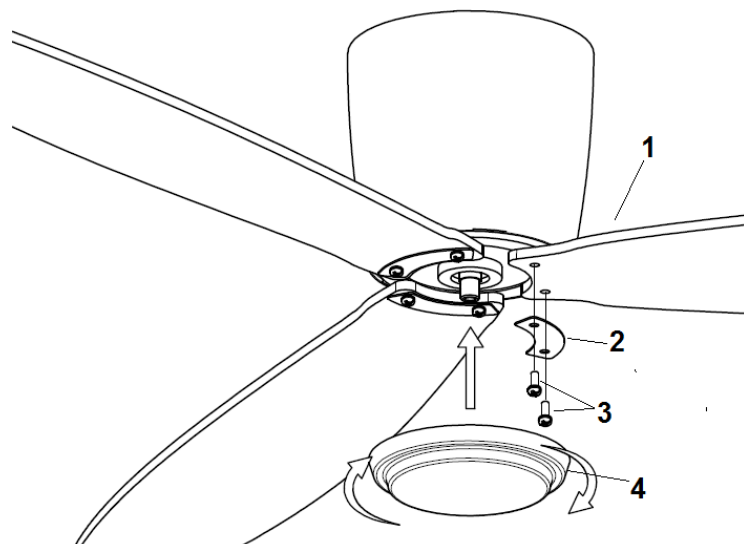


Fig. 6

Installation du kit d'éclairage (kit d'éclairage – facultatif)

Note: le kit d'éclairage doit être installé par un électricien agréé.

NOTE: le kit d'éclairage est disponible pour les modèles de ventilateur pour plafond sélectionnés et en tant que kit d'éclairage facultatif.

1. Retirez le couvercle du fond de l'arbre.
2. Retirez le tube pouvant être rétréci du connecteur de câbles de la lampe.
3. Pour l'installation du kit d'éclairage, veuillez vous référer au guide d'installation du kit d'éclairage.

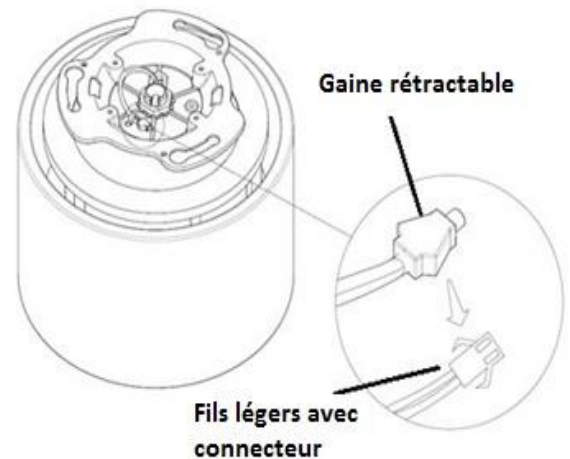


Fig. 7

UTILISER VOTRE VENTILATEUR DE PLAFOND AVEC LA TÉLÉCOMMANDE

Coupler l'émetteur et le récepteur – lorsque vous installez deux ventilateurs de plafond CC ou plus au même endroit

Lorsque deux ventilateurs ou plus sont installés proches l'un de l'autre, vous aurez peut-être besoin de configurer l'émetteur/récepteur de chaque ventilateur sur un code différent, afin que l'utilisation d'un ventilateur n'influence pas l'utilisation des autres.

Les interrupteurs DIP pour l'émetteur (télécommande) se situent dans le compartiment des piles de l'émetteur. La configuration des micro-interrupteurs rendra possible l'assignation d'un code de transmission unique à chaque ventilateur de plafond.

REMARQUE : Assurez-vous d'avoir installé un interrupteur multipolaire dans le câblage fixe pour chaque ventilateur, lorsque vous utilisez la fonction de code micro-interrupteur.

REMARQUE : Assurez-vous que le récepteur soit sur la position ON avant de coupler l'émetteur et le récepteur.

Couplage de l'émetteur/récepteur pour le ventilateur de plafond 1 :

- Éteignez les deux ventilateurs 1 et 2 avec l'alimentation principale au récepteur.
- Faites coulisser le couvercle du compartiment de pile de l'émetteur pour accéder aux micro-interrupteurs. Cela sera l'émetteur 1.
- Changez la position des micro-interrupteurs dans la télécommande 1, afin qu'elle soit différente de celle de la télécommande 2.
- Installez la pile 12V CC dans le compartiment. Assurez-vous que la polarité de la pile est correcte.
- Allumez l'alimentation du récepteur 1. Maintenez le récepteur 2 éteint. (chaque ventilateur doit avoir son propre interrupteur de révision, afin que seul le ventilateur qui doit être couplé avec l'émetteur soit allumé).
- Maintenez la touche SET de l'émetteur 1 pendant 6 secondes dans les 60 secondes qui suivent l'alimentation du récepteur du ventilateur 1.
- A présent, l'émetteur devrait être couplé avec le récepteur du ventilateur 1. Éteignez et rallumez ou changez la vitesse du ventilateur 1 avec l'émetteur pour vérifier le fonctionnement.

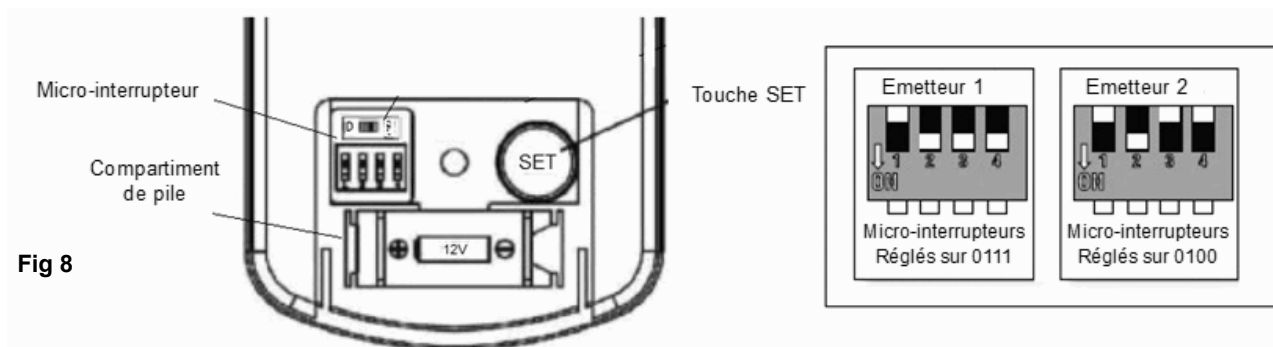
Configuration CC du ventilateur 2 :

- Éteignez les deux ventilateurs 1 et 2 avec l'alimentation principale au récepteur.

Airfusion Radar Installation Instructions

- Faites coulisser le couvercle du compartiment de pile de l'émetteur pour accéder aux micro-interrupteurs. Cela sera l'émetteur 2.
- Changez la position des micro-interrupteurs dans la télécommande 2, afin qu'elle soit différente de celle de la télécommande 1.
- Installez la pile 12V CC dans le compartiment. Assurez-vous que la polarité de la pile est correcte.
- Allumez l'alimentation du récepteur 2. Maintenez le récepteur 1 éteint. (chaque ventilateur doit avoir son propre interrupteur de révision, afin que seul le ventilateur qui doit être couplé avec l'émetteur soit allumé).
- Maintenez la touche SET de l'émetteur 2 pendant 6 secondes dans les 60 secondes qui suivent l'alimentation du récepteur du ventilateur 2.
- A présent, l'émetteur devrait être couplé avec le récepteur du ventilateur 2. Eteignez et rallumez ou changez la vitesse du ventilateur 2 avec l'émetteur pour vérifier le fonctionnement.

Remarque: Le couplage des émetteurs et récepteurs n'est pas nécessaire si vous n'installez qu'un seul ventilateur. Lorsque plus de deux ventilateurs sont installés à proximité les uns des autres, veuillez vous référer aux instructions ci-dessus.



Touches de la télécommande

○,1 TOUCHE DE CONTROLE DE LA VITESSE DES PALES :

Il y'a 6 vitesses disponibles. La touche ○,I correspond à la vitesse la plus lente et la touche ○,VI correspond à la vitesse la plus rapide.

REMARQUE : LORSQUE VOUS ALLUMEZ LE VENTILATEUR POUR LA PREMIÈRE FOIS OU QUE VOUS ALLUMEZ L'ALIMENTATION PRINCIPALE AVEC LA TÉLÉCOMMANDE, VOUS DEVEZ DÉMARRER LE VENTILATEUR EN UTILISANT D'ABORD LA VITESSE ○,VI PUIS CHOISIR UNE VITESSE INFÉRIEURE PAR LA SUITE.



Airfusion Radar Installation Instructions

UN DÉLAI DE 5-10 SECONDES EST NÉCESSAIRE POUR PERMETTRE AU VENTILATEUR CC DE RÉPONDRE À LA TÉLÉCOMMANDE SUR CHAQUE VITESSE OU LA SÉLECTION DE DIRECTION DE VENTILATEUR, CAR LE VENTILATEUR CC CONTIENT UN CONTROLE DE CAPTEUR QUI COMMANDE LA PUISSANCE DU MOTEUR.

○,2- TOUCHE D'EXTINCTION DU VENTILATEUR :

Appuyez sur cette touche pour éteindre le ventilateur.

○,3- TOUCHE D'INVERSEMENT DU SENS :

Appuyez sur cette touche pour inverser le sens de rotation des pales. Le ventilateur doit être en fonctionnement pour activer la fonction inversement.

○,4- TOUCHE DE CONTROLE DE LA LUMIÈRE :

Appuyez sur le bouton pour allumer/éteindre la lumière.

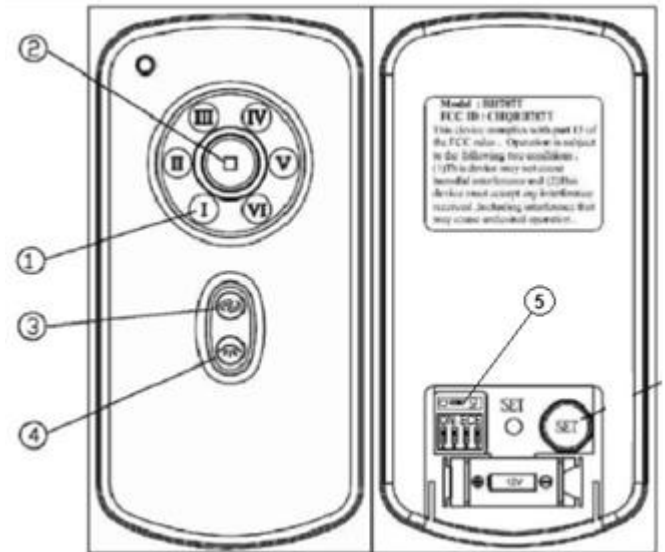


Fig. 9

LE RÉCEPTEUR PERMET LES NIVEAUX SUIVANT DE PROTECTION CONTRE.

- Position verrouillée : Le récepteur a une fonction intégrée de sécurité pour le protéger contre l'obstruction pendant le fonctionnement. Le moteur sera verrouillé au niveau du fonctionnement et se déconnectera de l'alimentation après 30 secondes d'interruption. Veuillez enlever les obstacles avant de redémarrer. Pour réinitialiser, éteignez simplement l'alimentation électrique du moteur du ventilateur et redémarrez.
- Protection au dessus de 80W : lorsque le récepteur détecte une consommation énergétique supérieure a 80W, le récepteur s'arrêtera et le fonctionnement cessera immédiatement. Allumez le récepteur d'alimentation après 5 secondes pour redémarrer le ventilateur.

RE-COUPLER LE RÉCEPTEUR DU VENTILATEUR ET LE COUPLAGE DISTANT

Si la télécommande et le récepteur perdent le contact après l'installation ou pendant l'utilisation, le couplage de la télécommande et du récepteur doit être effectué à nouveau. Ci-dessous sont présentés les symptômes et les méthodes de couplage de la télécommande du ventilateur CC et du récepteur.

Problèmes :

- Perte de contrôle – ventilateur qui tourne à haute vitesse après la mise en fonctionnement
- Perte de contrôle – pas de fonction inversement après la mise en fonctionnement
- Perte de contrôle – la télécommande ne peut pas communiquer avec le récepteur.



Solution :

Si le ventilateur tourne a haute vitesse en continu, cela signifie que le câblage de l'installation est correct. Lorsque le ventilateur ne fonctionne qu'à grande vitesse, ou ne peut pas fonctionner en sens inverse ou ne répond pas aux autres commandes, il est recommandé de coupler de nouveau la télécommande et le récepteur. Veuillez suivre les étapes ci-dessous :

- A. Enlevez le couvercle de pile de la télécommande, vérifiez la zone avec l'autocollant 434MHz, assurez-vous que la pile est installée correctement et que l'indicateur lumineux DEL rouge clignote, cela signifie que la télécommande fonctionne normalement.



- B. Coupez l'alimentation principale du récepteur pendant plus de 30 secondes et allumez l'alimentation du récepteur de nouveau. Maintenez la touche SET de la télécommande appuyée pendant plus de 6 secondes dans les 60 secondes qui suivent l'activation de l'alimentation du récepteur.



Airfusion Radar Installation Instructions

- C. Appuyez sur les touches de la télécommande pour faire fonctionner le ventilateur. En général, l'exécution des points A, B et C devrait permettre de coupler de nouveau la télécommande et le récepteur, et permettra le contrôle intégral du ventilateur. Dans le cas contraire, veuillez procéder à l'étape suivante.
- D. Les micro-interrupteurs des ventilateurs sont configurés sur la position « tous en haut » à l'usine. Et vous pouvez changer la position des micro-interrupteurs à votre guise avec 16 options au choix. (par exemple haut-haut-bas-bas).



- E. Veuillez répéter les étapes (A)-(C) pour vérifier le fonctionnement.

Si les problèmes persistent encore après avoir suivi les points (A) à (D), et que vous ne pouvez toujours pas contrôler correctement, alors veuillez vous référer au numéro de la ligne d'assistance de la garantie Lucci ou contacter le point de vente Beacon Lighting le plus proche pour obtenir une nouvelle télécommande ou transmetteur.

Remarque: Pour votre sécurité, le nouveau récepteur doit être installé par un électricien agréé.

Note: Lorsque vous réparez la télécommande du ventilateur pour plafond CC et que l'émetteur est en marche, le ventilateur tourne à la vitesse la plus haute dans le sens INVERSE pendant 90 secondes, puis dans le sens NORMAL pendant 90 secondes. Pendant le processus de préparation, n'appuyez sur aucune touche de la télécommande.

JEU D'ÉQUILIBRAGE

- 1) Un jeu d'équilibrage est fourni pour équilibrer le ventilateur de plafond à la première installation. Veuillez vous référer aux instructions concernant l'utilisation du jeu d'équilibrage, qui est inclus.
- 2) Le jeu d'équilibrage peut être utilisé pour aider le rééquilibrage du ventilateur de plafond s'il se déséquilibre avec le temps. Ne vous débarrassez pas du jeu d'équilibrage. Conservez-le pour une utilisation future éventuelle.



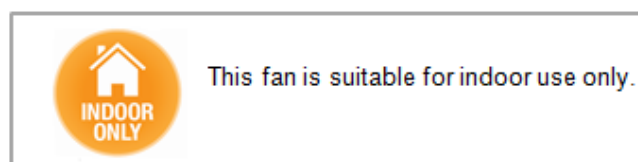
LISTE DE RÉOLUTION DES PROBLÈMES

Consultez systématiquement la « liste de résolution des problèmes » incluse dans ce manuel avant d'appeler pour une réparation. Des appels inutiles sont gênants et peuvent aboutir à une augmentation des frais de fonctionnement.

Pour votre sécurité, assurez-vous que le ventilateur soit éteint avant de procéder à toute résolution de problème

PROBLÈME	CAUSE PROBABLE	SOLUTION SUGGÉRÉE
1. Le ventilateur ne démarre pas (avertissement : L'alimentation du plafond doit être désactivée, et l'aide d'un électricien agréé est peut-être nécessaire.)	A. Un fusible ou un plomb a sauté	Vérifiez le secteur et branchez un fusible ou des coupe-circuits.
	B. Les connexions d'alimentation du ventilateur sont desserrées. (se produit en général lors de l'installation.)	Vérifiez les connexions d'alimentation du ventilateur. Doit être exécuté par un électricien agréé.
	C. Pas de réponse de la part de la télécommande	-Pile presque vide Changez la pile - Vérifiez si la télécommande correcte est couplée avec le récepteur.
	D. Le ventilateur est allumé avec l'interrupteur secteur.	Vérifiez si le ventilateur est alimenté.
2. Tremblement des pales (consultez la section sur le tremblement pour plus d'informations).	A. Les pales du ventilateur ne sont pas horizontales par rapport au plafond.	Consultez la section « résolution des tremblements » de ce manuel. <ul style="list-style-type: none"> - Il se peut que la pale doivent être réglée au niveau des vis de montage ; - La pale est déformée, et provoque des tremblements. Un nouveau jeu de pales devra alors être installé en remplacement. Contacter un détaillant pour plus de détails.
	B. Les vis des pales sont desserrées.	Assurez-vous que toutes les vis sont fixées fermement.
	C. Une (des) pale(s) est (sont) déformée(s)	Enlevez la pale et posez-la sur une surface plate pour vérifier si elle est déformée. Contacter un détaillant pour plus de détails.
3. Le ventilateur est bruyant	A. Le baldaquin supérieur est en contact avec le plafond.	Baissez le baldaquin par rapport au plafond pour laisser un espace d'au moins 3 mm.
	B. Les vis du ventilateur sont desserrées.	Resserrez toutes les vis sur les pales du ventilateur, mais ne serrez jamais outre mesure.
	C. Le ventilateur n'est pas fixé au plafond.	Resserrez toutes les vis au niveau du crochet ou de la plaque de fixation.
	D. Commande de vitesse incorrecte.	Changez la commande avec celle fournie. (Doit être exécuté par un électricien agréé.)
4. Bruit mécanique	A. Laissez au moins une période de rodage de 8 heures.	
5. La lampe ne s'allume pas (jeu de lampe optionnel seulement)	L'ampoule/ la lampe ne fonctionne plus	Remplacez l'ampoule/ la lampe

INFORMATION TECHNIQUE



Modèles de la série de ventilateurs	Tension nominale	Puissance nominale (moteur)	Pile pour la télécommande
RADAR FAN	220-240VAC	35W	1 x 12V 23AE

WARRANTY CONDITIONS

IN AUSTRALIA / NEW ZEALAND CUSTOMER – Please refer to the separated WARRANTY STATEMENT.

EN EUROPE – Si vous êtes un consommateur Européen, veuillez contacter le point de vente ou vous avez acheté le ventilateur pour faire valoir la garantie.





FELICITACIONES POR SU COMPRA

Felicitaciones por la compra de lo más reciente en ventiladores de techo de ahorro energético. Este ventilador funciona con corriente continua (CC) que le proporciona el beneficio de ser súper eficiente energéticamente mientras mantiene al mismo tiempo un alto volumen de movimiento de aire y un funcionamiento silencioso.

Ahorro Energético – El motor de CC es la última tecnología en diseño de ventiladores. Su motor, altamente eficiente, ahorra hasta un 65% más de energía que los ventiladores con motores tradicionales de Corriente Alterna (CA)

Funcionamiento silencioso – El motor de CC de este ventilador está programado con una corriente estabilizada que reduce el ruido eficientemente.


Baja temperatura de funcionamiento – La Corriente Continua se gestiona eficazmente lo que reduce la temperatura de funcionamiento del motor a menos de 50 grados. Esto resulta en un motor mucho más frío que un ventilador estándar de CA y aumenta la longevidad del motor.

Mando a distancia de 6 velocidades – Generalmente, los ventiladores normales de Corriente Alterna incorporan tres velocidades, este ventilador de CC va dotado de un mando a distancia con 6 velocidades, lo que proporciona mayor variedad de elección de niveles de confort.

PRECAUCIONES DE SEGURIDAD

- 1) Este aparato pueden usarlo niños mayores de 8 años y aquellas personas con capacidades físicas, sensoriales o mentales reducidas o que carezcan de experiencia o conocimientos si se les ofrece supervisión respecto al uso del aparato de forma segura y entienden los riesgos que implica. Los niños no deben realizar tareas de limpieza o mantenimiento sin supervisión.
- 2) Se debe supervisor a los niños para asegurarse que no juegan con el aparato.
- 3) Se debe incorporar un interruptor de desconexión onnipolar en el cableado fijo conforme a la normativa de cableado



local.  No elimine los aparatos eléctricos como residuos municipales sin clasificar; use puntos de recogida separados. Póngase en contacto con las autoridades locales para obtener información respecto a los sistemas de recogida disponibles. Si los aparatos eléctricos se eliminan en vertederos y basureros, se pueden filtrar sustancias peligrosas en el agua subterránea y entrar en la cadena alimentaria, dañando su salud y bienestar.

- 4) La estructura en la que debe montarse el ventilador debe ser capaz de soportar un peso de 30kg.
- 5) El ventilador debe montarse de forma que los alabes se encuentren a al menos **2.3** metros por encima del suelo en Europa.
- 6) El ventilador debe montarse de forma que los alabes se encuentren a al menos **2.1** metros por encima del suelo en Australia.
- 7) Este ventilador solo es apto para su uso interno.
- 8) La instalación debe realizarla únicamente un electricista cualificado.



ANTES DE INSTALAR

Desempaque su ventilador y compruebe el contenido. Deberá tener lo siguiente:

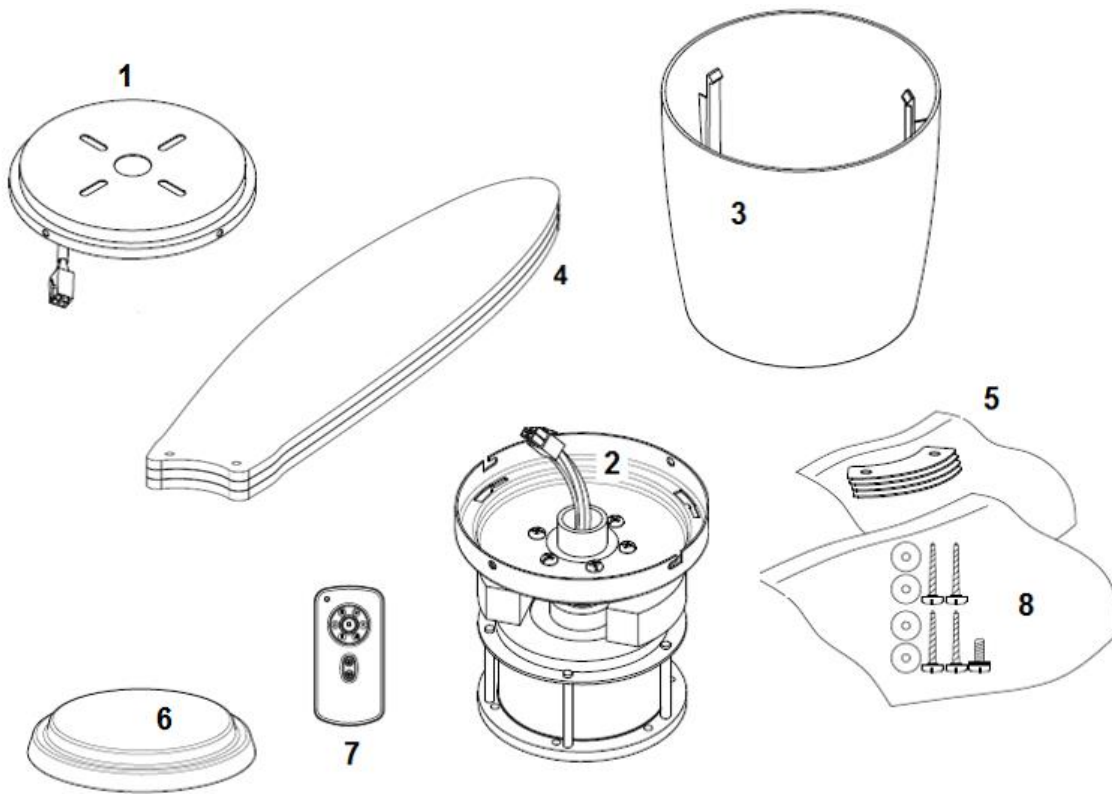


Fig. 1

- | | | | |
|---|---|----|--|
| 1 | Abrazadera de montaje x 1 | 7 | Transmisor a distancia con soporte x 1 juego |
| 2 | Ventilador con suspensión, receptor y motor x 1 | 8 | Bolsa de tornillos:
Tornillo de motor extra x 1
Arandela plana x 4
Tornillo de madera x 4 |
| 3 | Carcasa del motor x 1 | 9 | Tornillos para el soporte del mando a distancia x 2 (no se muestran) |
| 4 | Alabe x 4 | 10 | Pila de 12V para el mando a distancia x 1 (no se muestra) |
| 5 | Kit de abrazaderas del alabe x 4 | | |
| 6 | Cubierta inferior x 1 | | |

HERRAMIENTAS NECESARIAS

HERRAMIENTAS NECESARIAS:

- Destornillador Phillips / de cabeza plana
- Alicates
- Llave Inglesa
- Escalera
- Alicates de cortar
- Cableado, cable de alimentación según requieran los códigos y reglamentos de cableado provinciales y nacionales.

INSTALAR EL SOPORTE DE MONTAJE

El ventilador deberá ser instalado en una ubicación de forma que las aspas estén a una distancia de 300mm desde el extremo de la aspa al objeto mas cercano o paredes.

Asegure el soporte de suspensión a la viga de techo o a una estructura capaz de soportar una carga de al menos 30KG, con los dos tornillos largos suministrados. Asegúrese de que al menos 30mm del tornillo están roscados en el soporte.

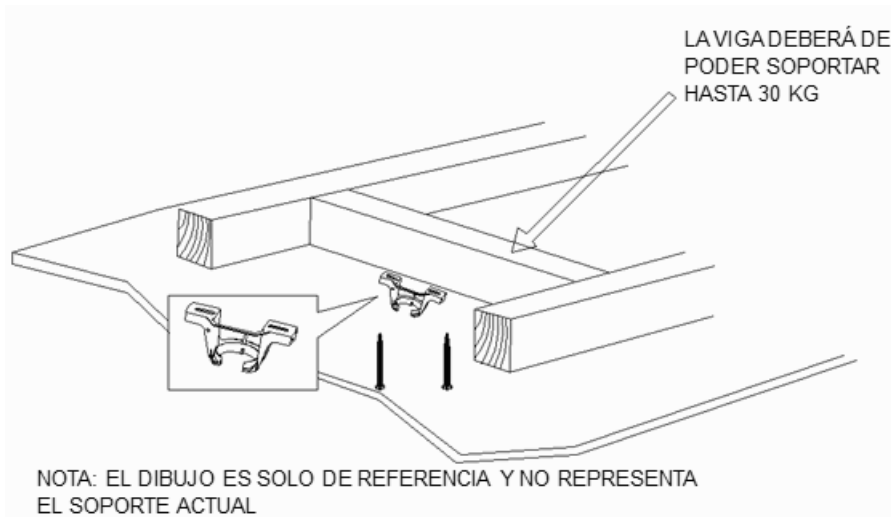


Fig. 2

NOTA: Los tornillos del soporte suministrados solo son para utilizar en estructuras de madera. Para otras estructuras que no sean madera, **DEBERAN** utilizarse el tipo de tornillos adecuados.

Instalación en techos inclinados

Este sistema de ventilador colgante **NO** es compatible con una instalación en un techo inclinado con mucho ángulo.

COLGAR EL MOTOR DEL VENTILADOR

- Levante el ventilador hasta la abrazadera de montaje (1) y deje que el gancho en forma de J de la abrazadera de montaje (4) pase por el orificio de la suspensión y mantenga colgado el ventilador (3). Figura 3
- Conecte juntos los conectores macho y hembra (2). Figura 3
- Complete el cableado eléctrico usando el diagrama que aparece debajo (Figura. 4).

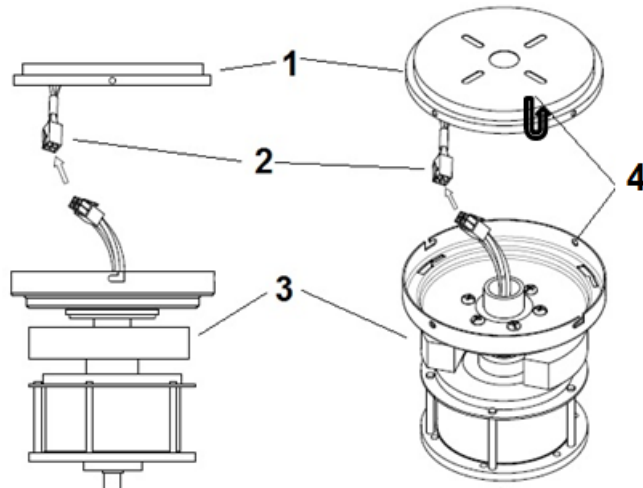


Fig. 3

PREPARE Y COMPLETE EL CABLEADO ELÉCTRICO --- DIAGRAMA DE CABELADO (Figura 4)

ADVERTENCIA: POR SU SEGURIDAD, UN ELECTRICISTA CUALIFICADO DEHBE REALIZAR TODAS LAS CONEXIONES ELÉCTRICAS.

NOTA: SE DEBE INCLUIR UN INTERRUPTOR DE DESCONEXIÓN DE TODOS LOS POLOS ADICIONAL EN EL CABLEADO FIJO.

NOTA: EN CASO DE QUE HAYA DOS O MÁS VENTILADORES DE TECHO INSTALADOS EN UNA UBICACIÓN, ES NECESARIO UN INTERRUPTOR DE AISLAMIENTO PARA CADA VENTILADOR AL PROGRAMAR EL MANDO A DISTANCIA Y EL RECEPTOR PARA QUE SE EMPAREJEN.

220V-240 VAC
 ALIMENTACIÓN
 ENTRADA CA V (VIVO)
 ENTRADA CA N (NEUTRO)

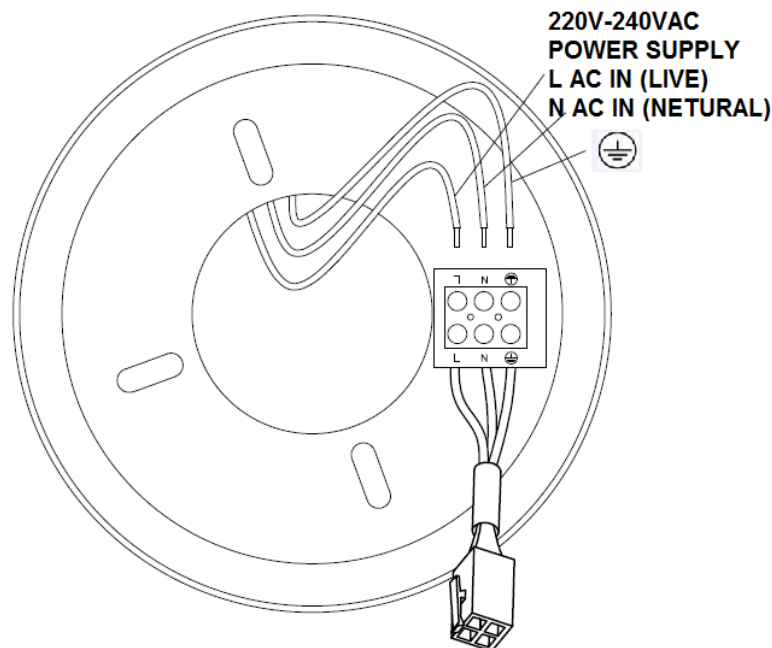


Fig. 4

INSTALACIÓN DE LA CUBIERTA DEL DOSEL

- Afloje 2 tornillos (2) de la abrazadera de montaje. Figura 5
- Afloje 2 tornillos (1) hasta la mitad del roscado de la abrazadera de montaje. Figura 5
- Levante la suspensión del ventilador hasta la abrazadera de montaje y deje que la ranura en forma de L de la suspensión pases por los tornillos (1) de la abrazadera de montaje. Gire la suspensión hasta que se fije en la sección final de la ranura en forma de L y asegúrela apretando los dos tornillos (2). Evite causar daños al cableado eléctrico preparado anteriormente.
- Para finalizar fije la carcasa del motor a la suspensión y asegúrela empujando los ganchos (3) hacia las ranuras de los orificios y girándola en sentido antihorario.

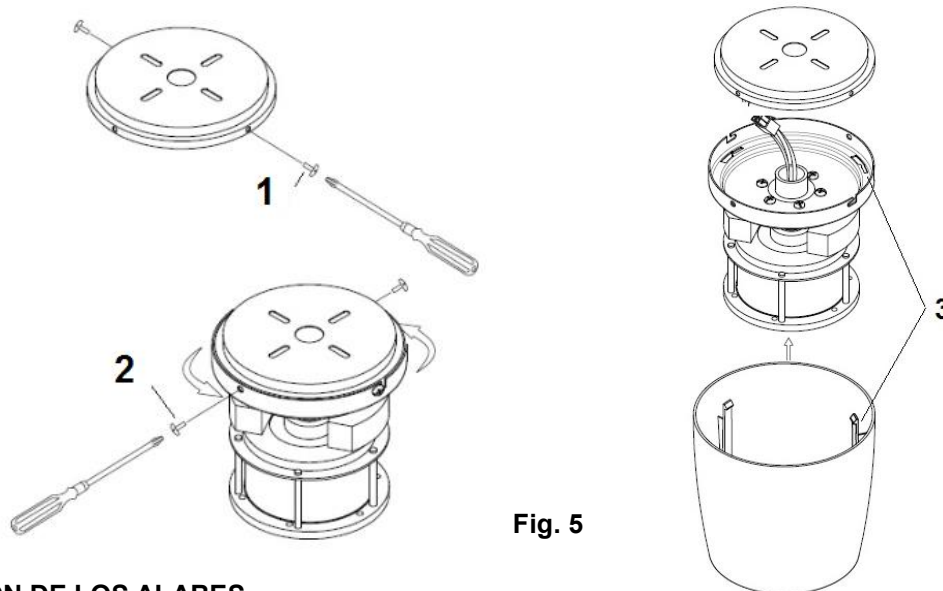


Fig. 5

INSTALACIÓN DE LOS ALABES

- Inserte los tornillos de los alabes a través del conjunto de alabes en el orden siguiente, kit de abrazadera (2) y alabe (1).
- Fije los alabes al motor y asegúrelos apretando los 2 tornillos (3). Figura 6
- Repita estos pasos para instalar los demás alabes.
 - Para finalizar, instale la cubierta inferior (4) al eje del motor girándola en sentido horario.

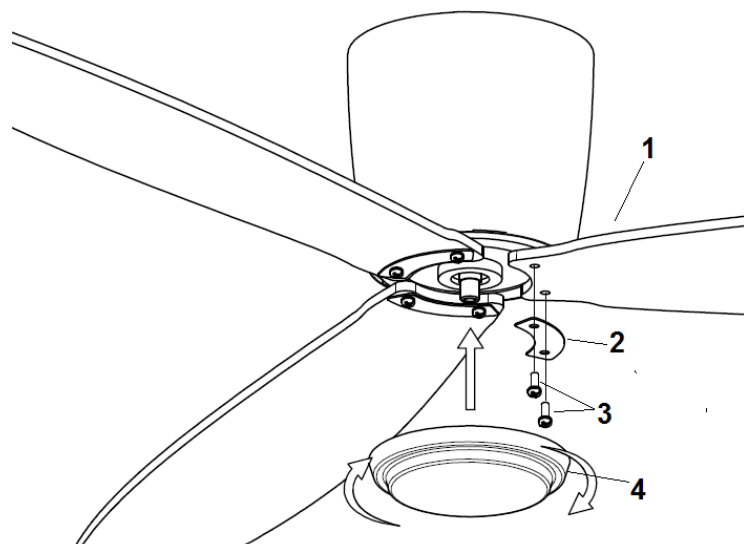


Fig. 6

Instalación de KIT de LUZ (kit de luz - opcional)

Nota: El kit de luz debe ser instalado por un electricista autorizado.

NOTA: El juego de luces está disponible para los modelos de ventilador de techo seleccionados y como un juego de luces opcional.

1. Retire la cubierta inferior del eje.
2. Retire el tubo encogible del conector los cables de luz.
3. Para la instalación del kit de luz, por favor consulte la guía de usuario de instalación del kit de luz.

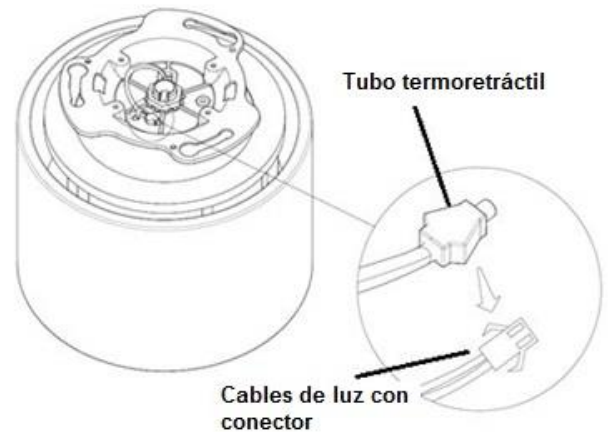


Fig. 7

UTILIZAR SU VENTILADOR DE TECHO CON MANDO A DISTANCIA

Emparejar el Mando a Distancia y el Receptor – cuando hay instalados 2 o mas ventiladores de CC en una misma ubicación

Cuando dos o más ventiladores se encuentran cerca unos de otros, tal vez desee tener un receptor / mando a distancia para cada ventilador configurado a un código diferente, de forma que el funcionamiento de un ventilador no afecte al funcionamiento de los otros ventiladores.

Los interruptores DIP para el mando a distancia están ubicados en el compartimiento de pilas del mando. Configurar los interruptores DIP permitirá la transmisión de un código único asignado a cada ventilador de techo.

NOTA: Cuando utilice la función de código DIP, asegúrese de que ha instalado un interruptor de desconexión omnipolar en el cableado fijo para cada ventilador.

NOTA: Asegúrese que el Receptor está **ENCENDIDO** antes de emparejar el mando a distancia con el receptor.

Emparejamiento del Mando a Distancia/Receptor para el ventilador 1:

- Desconecte la corriente de los receptores de ambos ventiladores 1 y 2.
- Deslice la tapadera del compartimiento de pilas del mando para acceder a los interruptores DIP. Este será mando transmisor 1.
- Cambie la posición de los interruptores DIP del mando transmisor 1, de forma que sean diferentes del mando transmisor 2.
- Instale una pila de 12V CC en el compartimiento. Asegúrese que las polaridades de la pila son correctas.
- Conecte la corriente al receptor 1. Mantenga DESCONECTADO el receptor 2. (Cada ventilador de techo deberá incorporar su propio interruptor aislado, de forma que solamente el ventilador que necesita ser emparejado con el transmisor estará CONECTADO a la corriente).
- Pulse y mantenga presionado el botón SET (CONFIGURACIÓN) del **transmisor 1** durante 6 segundos dentro de los 60 segundos de haber dado la corriente al receptor del Ventilador de Techo 1.
- Ahora el transmisor deberá estar emparejado con el receptor del ventilador 1. ENCIENDA/APAGUE o cambie la velocidad del ventilador 1 por medio del mando transmisor para comprobar su funcionamiento.

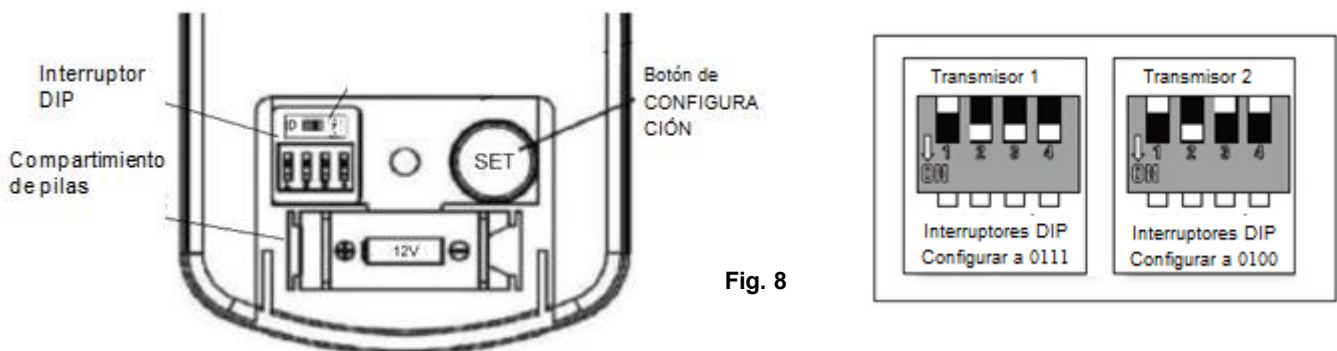
Configuración del Ventilador 2:

- Desconecte la corriente de los receptores de ambos ventiladores 1 y 2.
- Deslice la tapadera del compartimiento de pilas del mando para acceder a los interruptores DIP. Este será mando transmisor 2.

Airfusion Radar Installation Instructions

- Cambie la posición de los interruptores DIP del mando transmisor 2, de forma que sean diferentes del mando transmisor 1.
- Instale una pila de 12V CC en el compartimiento. Asegúrese que las polaridades de la pila son correctas.
- Conecte la corriente al receptor 2. Mantenga DESCONECTADO el receptor 1. (Cada ventilador de techo deberá incorporar su propio interruptor aislado, de forma que solamente el ventilador que necesita ser emparejado con el transmisor estará CONECTADO a la corriente).
- Pulse y mantenga presionado el botón SET (CONFIGURACIÓN) del **transmisor 2** durante 6 segundos dentro de los 60 segundos de haber dado la corriente al receptor del Ventilador de Techo 2
- Ahora el transmisor deberá estar emparejado con el receptor del ventilador 2. ENCIENDA/APAGUE o cambie la velocidad del ventilador 2 por medio del mando transmisor para comprobar su funcionamiento.

Nota: El emparejamiento del Transmisor y Receptor no es necesario si solo se instala un Ventilador de techo. Cuando se instalen dos o más ventiladores cerca el uno del otro, por favor siga las instrucciones arriba indicadas.



Botones del Mando a Distancia

○,1- BOTON DE CONTROL DE VELOCIDAD DEL VENTILADOR:

Hay 6 velocidades disponibles. Botón ○,I para la velocidad mínima y botón ○,VI para la velocidad máxima.

NOTA: CUANDO ENCIENDA EL VENTILADOR POR PRIMERA VEZ O CONECTE LA CORRIENTE AL RECEPTOR, NECESITARÁ INICIAR EL VENTILADOR CON LA VELOCIDAD MÁXIMA “○,VI” Y LUEGO SELECCIONAR UNA VELOCIDAD MENOR.

SE NECESITAN DE 5 A 10 SEGUNDOS PARA PERMITIR QUE EL VENTILADOR DE CC RESPONDA A LA SELECCIÓN DE CADA VELOCIDAD O DIRECCIÓN DE VENTILADOR DESDE EL MANDO AL DISTANCIA, YA QUE EL VENTILADOR DE CC INCORPORA UN CONTROL SENSOR QUE CONTROLA EL MOTOR.

○,2- BOTÓN DE APAGADO DE VENTILADOR:

Pulse el botón para apagar el ventilador

○,3- BOTÓN DE FUNCIÓN REVERSA:

Pulse el botón para activar la función de cambio de dirección de funcionamiento. El ventilador deberá de estar en funcionamiento para activar la función de cambio de dirección.

○,4- BOTÓN DE CONTROL DE LUZ:

Pulse el botón para apagar y encender la luz.

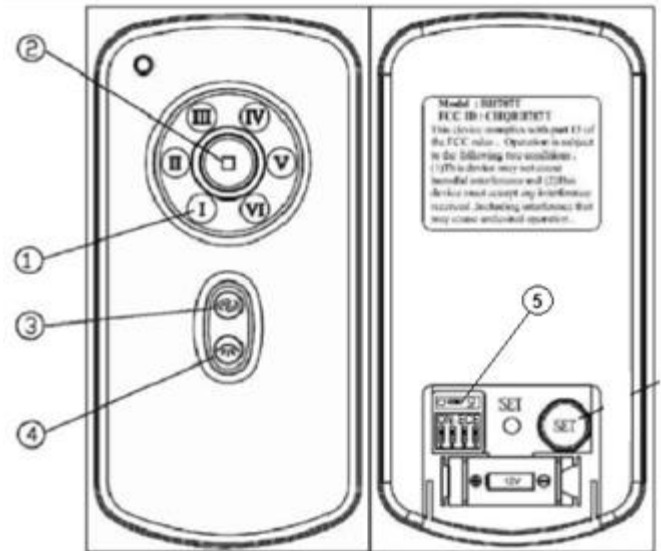


Fig. 9

EL RECEPTOR PROPORCIONA LOS SIGUIENTES NIVELES DE PROTECCIÓN CONTRA.

- Posición de bloqueo: el receptor incorpora una característica de seguridad para proteger contra obstrucciones durante el funcionamiento. El motor se parará y se desconectará de la red después de 30 segundos de interrupción. Por favor, elimine los obstáculos antes de volver a comenzar. Para reiniciar, simplemente desconecte la fuente de alimentación del motor del ventilador y vuelva a reiniciar.
- Más protección 80W: cuando el receptor detecta un consumo de energía superior a 80W, la corriente del receptor será interrumpida y el funcionamiento se parará inmediatamente. Encienda el receptor después de 5 segundos para reiniciar el ventilador. Conecte la corriente del receptor después de 5 segundos para reiniciar el ventilador.

RECONFIGURACIÓN DEL EMPAREJAMIENTO DEL RECEPTOR Y DEL MANDO A DISTANCIA

Si el mando a distancia y el receptor perdiesen el control después de la instalación o durante el uso, deberá volver a reconfigurar el emparejamiento entre mando y el receptor. A continuación se indican los síntomas de funcionamiento y métodos para reconfigurar el emparejamiento del mando a distancia y receptor del ventilador.

Problemas:

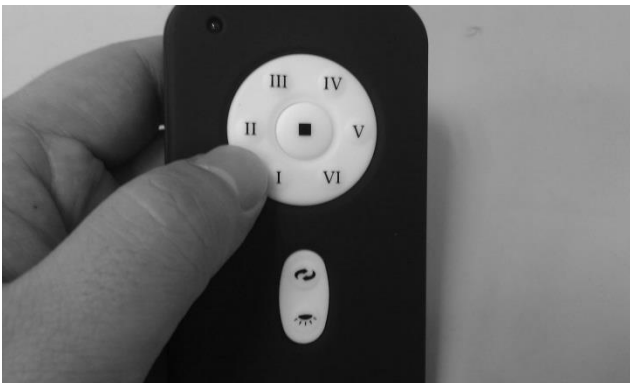
- Pérdida de control – El ventilador solo funciona al máximo después de la instalación
- Pérdida de control – La función de cambio de dirección no funciona después de la instalación.
- Pérdida de control – el mando a distancia no se comunica con el receptor.

Solución:

Si el ventilador funciona continuamente con la velocidad máxima, quiere decir que la instalación del cableado es correcta. Cuando el ventilador solo funciona al máximo, o no funciona en la función de cambio de dirección o con cualquier otro comando, se recomienda comprobar el emparejamiento entre el mando y el receptor. Por favor siga los pasos indicados a continuación:

Airfusion Radar Installation Instructions

- A. Retire la tapadera del compartimiento de pila del mando, compruebe la zona de la pegatina 434MHz, asegúrese de que la pila está instalada correctamente y que el indicador de luz LED está parpadeando, esto significa que el mando funciona correctamente.



- B. Desconecte la corriente del receptor durante más de 30 segundos y vuelva a conectarla. Pulse y mantenga presionado el botón de configuración "SET" del mando a distancia durante 6 segundos dentro de los 60 segundos de haber dado la corriente al receptor.



- C. Pulse los botones del mando a distancia para operar el ventilador. Generalmente, el llevar a cabo los pasos A, B y C deberá reparar el mando y receptor, y permitir el control completo del ventilador. De no ser así, por favor siga el siguiente paso.



D. Los interruptores DIP de los ventiladores están configurados con los ajustes de fábrica, todos hacia arriba. Puede cambiar los interruptores DIP a cualquier posición de las 16 opciones. (Ej. arriba, arriba, abajo, abajo).



E. Por favor, repita los pasos (A)~(C) para comprobar la función.

Si los problemas persisten después de seguir los pasos (A) a (D), y todavía no hay control, entonces por favor contacte con el número de la línea de servicio al cliente de Lucci o con el detallista de productos Beacon Lighting mas cercano para obtener nuevo mando a distancia o transmisor.

Nota: Para su seguridad, el receptor nuevo deberá de ser instalado por un electricista autorizado.

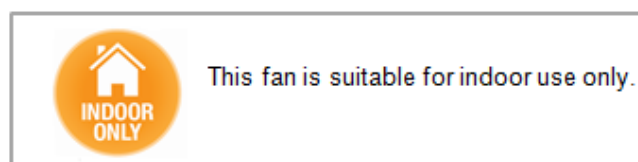
Nota: Mientras la reparación del remoto y del receptor del ventilador de techo de CC se encuentra en proceso, el ventilador funciona automáticamente a velocidad alta con el modo REVERSO durante 90 segundos, y luego trabaja con el modo DIRECTO durante 90 segundos. Durante el proceso de ajuste, no pulse ninguna tecla del mando a distancia.

LISTA DE SOLUCIÓN DE PROBLEMAS

Compruebe siempre las “Lista de Solución de Problemas” incluida en este folleto antes de llamar al servicio técnico. Las llamadas innecesarias son inconvenientes y pueden llevar un coste de servicio.

Para su seguridad, asegúrese de que el ventilador está APAGADO antes de llevar a cabo cualquier procedimiento de solución de problemas.

PROBLEMA	CAUSA PROBLABLE	SOLUCIÓN PROPUESTA
1. El ventilador no se enciende. (Advertencia: Debe APAGAR el ventilador y tal vez necesite la asistencia de un electricista registrado)	A. El fusible o disyuntor está fundido.	Compruebe los fusibles y disyuntores del circuito general y ramal.
	B. Conexión eléctrica del ventilador floja (normalmente ocurre durante la instalación).	Compruebe las conexiones eléctricas del ventilador. Deberá llevarse a cabo por un electricista registrado.
	C. No hay reacción del transmisor a distancia (mando)	- Las pilas están flojas. Reemplace las pilas. - Compruebe que el transmisor correcto esta emparejado con el receptor.
	D. ENCIENDA el ventilador	Compruebe si hay corriente en el ventilador.



	mediante el interruptor de corriente.	
2. El Ventilador Oscila (Vea la sección del manual "Oscilación" para mas información)	A. Las aspas del ventilador no están horizontales al techo.	Vea la sección del manual "ajuste de oscilación". - Tal vez necesite ajustar los tornillos de montaje de aspas; - El aspa está deformada. Necesitara reemplazar las aspas por un juego de aspas nuevo. Contacte al detallista para más información.
	B. Tornillos de las aspas del ventilador flojos.	Asegúrese que todos los tornillos están firmemente ajustados.
	C. Aspa(s) deformada(s)	Retire el aspa y colóquela sobre una superficie plana para comprobar si las aspas están deformadas. Contacte al detallista para más información.
3. El ventilador hace ruido	A. El dosel superior roza el techo.	Baje el dosel del techo para asegurar un mínimo de separación de 3mm.
	B. Tornillos de las aspas del ventilador están flojos.	Vuelva a apretar todos los tornillos de las aspas del ventilador, pero no los apriete demasiado.
	C. El ventilador no está asegurado firmemente al techo.	Vuelva a apretar todos los tornillos del soporte o placa de montaje.
	D. Control de velocidad incorrecto.	Cambie el control por el suministrado (Deberá realizarse por un Electricista Autorizado)
4. Ruido mecánico	A. Permita al menos 8 horas de periodo de asentamiento.	
5. La luz no se ENCIENDE (SOLOS juego de luces opcional)	El globo/bombilla ha fallado.	Reemplace el globo/bombilla

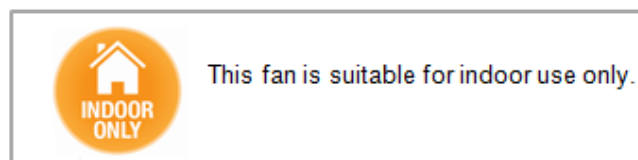
INFORMACIÓN TÉCNICA

SERIES DE VENTILADOR CC modelos	Voltaje Nominal	Potencia Nominal (motor)	Pila para el mando
RADAR FAN	220-240VAC	35W	1 x 12V 23AE

WARRANTY CONDITIONS

IN AUSTRALIA / NEW ZEALAND CUSTOMER – Please refer to the separated WARRANTY STATEMENT.

EN EUROPA – Si usted es un Cliente europeo, por favor póngase en contacto con el comercio donde adquirió el ventilador para el servicio de garantía.





COMPLIMENTI PER L'ACQUISTO

Congratulazioni per aver acquistato il più avanzato ventilatore a soffitto a risparmio energetico. Questo ventilatore funziona a corrente DC (corrente continua) pertanto ha il vantaggio di essere super efficiente dal punto di vista energetico, pur garantendo un elevato movimento di volume d'aria e un funzionamento silenzioso.

Risparmio energetico - Il motore DC è l'ultimo ritrovato tecnologico per la progettazione di ventilatori. Questo motore ad alta efficienza consente di risparmiare fino al 65% di energia rispetto ai tradizionali motori AC impiegati negli altri ventilatori a soffitto.

Funzionamento silenzioso - Il motore DC di questo ventilatore è programmato con una corrente stabilizzata che abbatta il rumore di funzionamento.

Bassa temperatura di esercizio - L'alimentazione DC è efficiente e mantiene la temperatura di funzionamento del motore al di sotto dei 50 °C. Ciò si traduce in un motore molto più freddo rispetto a un motore AC standard per ventilatore, con conseguenti vantaggi in termini di durata.

Telecomando a 6 velocità - Grazie al telecomando a 6 velocità (i ventilatori a soffitto AC tradizionali ne hanno solo 3 solitamente) questo ventilatore DC offre maggiori possibilità di scelta del livello di comfort.

PRECAUZIONI DI SICUREZZA

- 1) Questo elettrodomestico può essere utilizzato da bambini a partire dagli 8 anni di età e da persone con capacità fisiche, sensoriali o mentali ridotte o mancanza di esperienza e conoscenza se sono state date loro supervisione o istruzioni relative all'uso dell'elettrodomestico in modo sicuro e comprendono i pericoli connessi. La pulizia e la manutenzione non dovrebbero essere intrapresa da bambini senza supervisione.
- 2) I bambini dovrebbero essere supervisionati per assicurarsi che non giochino con l'elettrodomestico.
- 3) Un interruttore di disconnessione di tutti i poli dovrebbe essere incluso nel cablaggio fisso secondo le regole locali



di cablaggio. ■■■ Non smaltite gli elettrodomestici come rifiuti cittadini non differenziati, usate le strutture di raccolta differenziata. Contattate il vostro governo locale per ottenere informazioni relativamente ai sistemi di raccolta disponibili. Se gli elettrodomestici sono smaltiti in discariche, delle sostanze pericolose possono percolare nelle falde acquifere e inserirsi nella catena alimentare, recando danni alla vostra salute e benessere.

- 4) La struttura cui il ventilatore deve essere montato deve essere in grado di sostenere un peso di 45 kg.
- 5) In Europa il ventilatore dovrebbe essere montato in modo che le pale si trovino ad almeno **2,3** metri al di sopra del pavimento.
- 6) In Australia il ventilatore dovrebbe essere montato in modo che le pale si trovino ad almeno **2,1** metri al di sopra del pavimento.
- 7) Questo ventilatore è adatto solo per uso interno.
- 8) L'installazione dovrebbe essere eseguita solo da un elettricista autorizzato.



PRIMA DELL'INSTALLAZIONE

Disimballare il ventilatore e verificare il contenuto. Il contenuto deve essere il seguente:

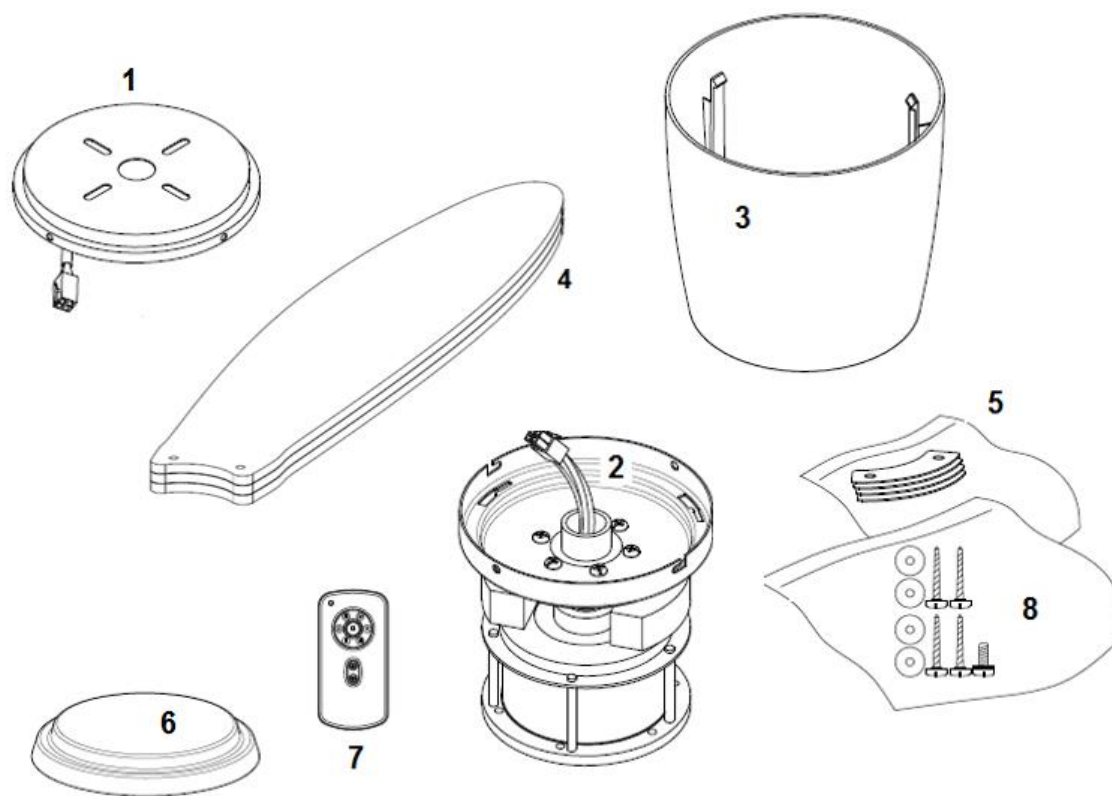


Fig. 1

- | | | | |
|---|---|----|--|
| 1 | Staffa di montaggio x 1 | 7 | Trasmettitore remoto con supporto x 1 insieme |
| 2 | Gruppo ventilatore con la piastra di sospensione, ricevitore e motore x 1 | 8 | Sacchetto delle viti:
Viti extra per motore x 1
Rondella piatta x 4
Viti da legno x 4 |
| 3 | Alloggiamento motore x 1 | 9 | Viti per supporto telecomando x 2 (non mostrato) |
| 4 | Pale x 4 | 10 | Batteria 12V per telecomando x 1 (non mostrato) |
| 5 | Kit staffa della pala x 4 | | |
| 6 | Coperchio inferiore x 1 | | |



STRUMENTI NECESSARI

STRUMENTI NECESSARI:

- Cacciavite a testa piatta / Phillips
- Paio di pinze
- Chiave inglese
- Scala a libro
- Pinza tagliafilì
- Cavi elettrici conformi alle normative nazionali.

INSTALLAZIONE DELLA STAFFA DI MONTAGGIO

Il ventilatore deve essere installato in una posizione tale da avere uno spazio libero di 300 mm tra la punta della pala e l'oggetto o parete più vicina.

Fissare la staffa di sostegno al travetto o altra struttura del soffitto che sia in grado di sostenere un carico di almeno 30KG, con le due viti lunghe in dotazione. Assicurarsi di avvitare le viti per almeno 30 mm nel supporto

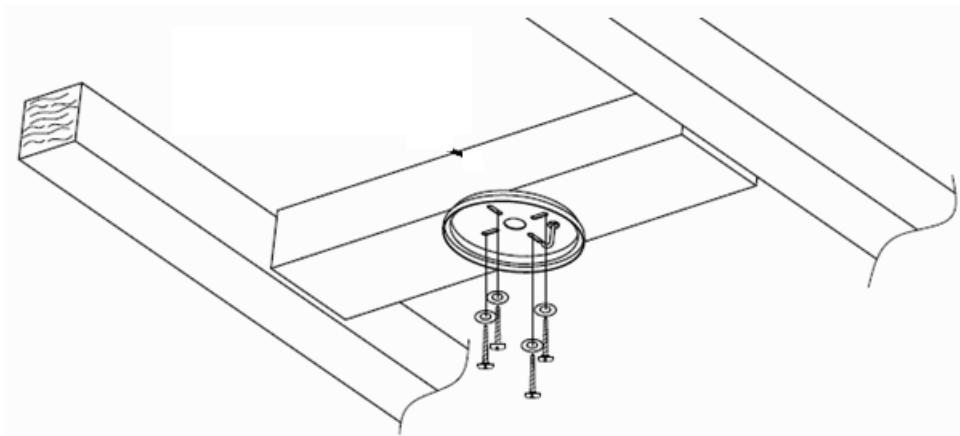


Fig. 2

NOTA: Le viti in dotazione per fissare la staffa sono destinate ad essere usate soltanto con strutture in legno. In caso di strutture non in legno, è **NECESSARIO** utilizzare viti appropriate.

Installazione su soffitto inclinato

Questo sistema di ventilatore sospeso **NON** tollera un'installazione su un soffitto inclinato di xx gradi.

COME APPENDERE IL GRUPPO MOTORE DEL VENTILATORE

- Sollevare il gruppo ventilatore alla staffa di montaggio (1) e lasciare che il gancio a J della staffa di montaggio (4) passi attraverso il foro della piastra di sospensione ed appendere il gruppo ventilatore (3). Figura 3
- Collegare insieme il connettore maschio e quello femmina (2). Figura 3
- Completare il cablaggio elettrico usando lo schema sottostante (Figura 4).



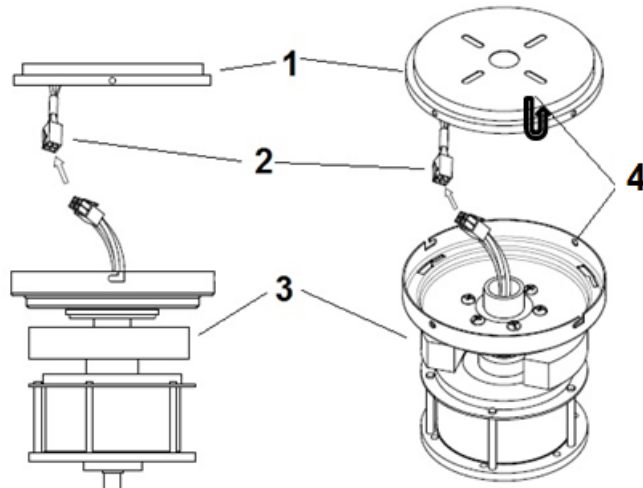


Fig. 3

PREPARARE E COMPLETARE IL CABLAGGIO ELETTRICO – SCHEMA CABLAGGIO (FIGURA 4)

AVVERTENZA: PER LA VOSTRA SICUREZZA, TUTTE LE CONNESSIONI ELETTRICHE DEVONO ESSERE ESEGUITE DA UN ELETTRICISTA AUTORIZZATO.

NOTA: NEL CABLAGGIO FISSO DEVE ESSERE INCLUSO UN SEZIONATORE ONNIPOLARE AGGIUNTIVO.

NOTA: SE SONO INSTALLATI DUE O PIÙ VENTILATORI DA SOFFITTO A CORRENTE CONTINUA NELLA STESSA LOCAZIONE, È RICHiesto UN INTERRUOTTORE DI ISOLAMENTO PER OGNI VENTILATORE A SOFFITTO. CIÒ È RICHiesto QUANDO SI PROGRAMMA L'ACCOPIAMENTO DEL TELECOMANDO E DEL RICEVITORE.

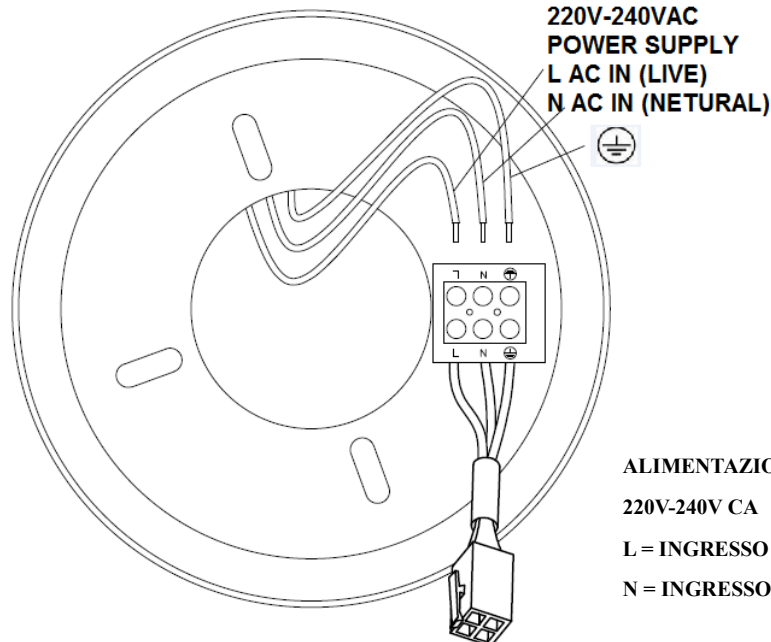


Fig. 4



INSTALLAZIONE DEL COPERCHIO DELLA CALOTTA

- Allentare 2 viti (2) dalla staffa di montaggio. Figura 5
- Allentare di mezzo giro 2 viti (1) dalla staffa di montaggio. Figura 5
- Sollevare la piastra di sospensione del gruppo ventilatore fino alla staffa di montaggio e lasciare che la scanalatura a forma di L sulla piastra di sospensione passi attraverso le viti (1) sulla staffa di montaggio. Girare la piastra di sospensione fino a che non si blocchi in posizione alla fine della sezione della scanalatura a forma di L e fissarla stringendo le due viti (2). Evitare di danneggiare il cablaggio elettrico predisposto in precedenza.
- Infine collegare l'alloggiamento del motore alla piastra di sospensione e assicurarlo spingendo i ganci (3) nei fori della scanalatura e girarla in senso antiorario.

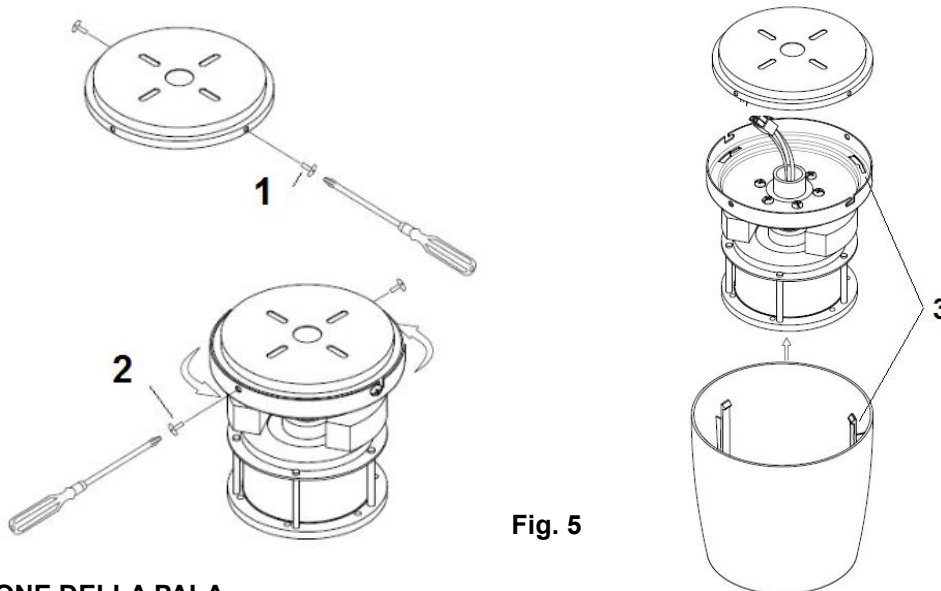


Fig. 5

INSTALLAZIONE DELLA PALA

- Infilare le viti della pala attraverso il gruppo della pala nel seguente ordine - kit della staffa (2) e pala (1). Collegare il gruppo della pala al motore e assicurarlo stringendo le 2 viti (3). Figura 6
- Ripetere per installare le altre pale.
- Infine installare il coperchio inferiore (4) sull'albero del motore ruotandolo in senso orario.

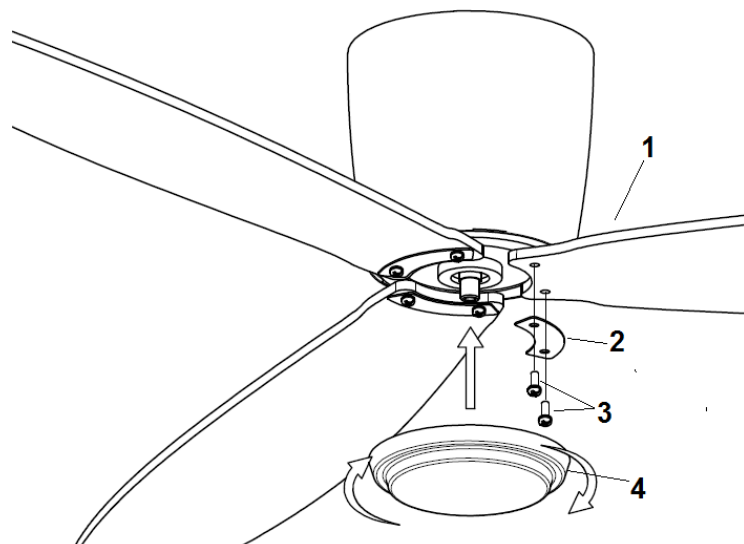


Fig. 6

Installazione kit LUCE (kit luce opzionale)

Nota: il kit luce deve essere installato da un elettricista qualificato.

NOTA: il kit luce è disponibile per dei modelli selezionati di ventilatori da soffitto e come kit luce opzionale.

1. Rimuovere il coperchio inferiore dall'asta.
2. Rimuovere il tubo restringibile bile dai connettori elettrici.
3. Per l'installazione del kit luce fate riferimento al manuale installazione del kit luce.

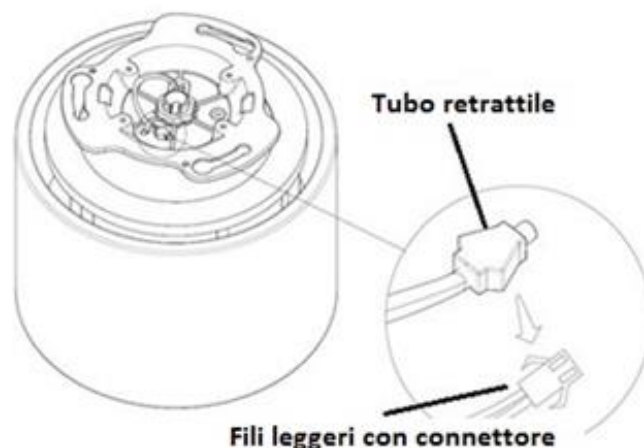


Fig. 7

UTILIZZO DEL VENTILATORE A SOFFITTO CON TELECOMANDO

Abbinamento di trasmettitore e ricevitore (quando due o più ventilatori a soffitto DC sono installati nello stesso locale)

Quando due o più ventilatori si trovano l'uno vicino all'altro, si può desiderare che il ricevitore/trasmettitore di ogni ventilatore sia impostato con un codice diverso, in modo che il funzionamento di un ventilatore non influenzi quello degli altri.

Gli interruttori DIP del trasmettitore (telecomando) si trovano nel vano batterie del trasmettitore. La configurazione degli interruttori DIP assegnerà un codice di trasmissione univoco per ogni ventilatore a soffitto.

NOTA: Assicurarsi di aver installato l'interruttore di disconnessione onnipolare nel cablaggio fisso di ogni ventilatore, quando si utilizza la funzione di codice DIP.

NOTA: Assicurarsi che l'alimentazione del ricevitore sia attivata prima di procedere all'abbinamento del trasmettitore con il ricevitore.

Abbinamento di trasmettitore e ricevitore per il ventilatore a soffitto 1:

- Spegnerne entrambi i ventilatori a soffitto 1 e 2 attraverso l'alimentazione di rete al ricevitore.
- Aprire il coperchio del vano batterie del trasmettitore facendolo scorrere per accedere agli interruttori DIP. Questo sarà il trasmettitore 1.
- Modificare la posizione degli interruttori DIP nel trasmettitore 1, di modo che questo sia diverso dal trasmettitore 2.
- Inserire la batteria 12VDC nel vano. Si prega di assicurarsi che la polarità della batteria sia corretta.
- Accendere il ricevitore 1. Tenere spento il ricevitore 2. (Ogni ventilatore a soffitto deve avere il proprio interruttore di isolamento, in modo che solo il ventilatore a soffitto che deve essere abbinato al trasmettitore sia acceso).
- Premere e tenere premuto il pulsante SET del **trasmettitore 1** per 6 secondi entro 60 secondi dall'accensione del ricevitore del ventilatore a soffitto 1.
- Ora il trasmettitore deve essere abbinato con il ricevitore del ventilatore a soffitto 1. Accendere/spegnere o cambiare la velocità del ventilatore a soffitto 1 tramite il trasmettitore per verificarne il funzionamento.

Impostazione del ventilatore a soffitto 2:

- Spegnerne entrambi i ventilatori a soffitto 1 e 2 attraverso l'alimentazione di rete al ricevitore.
- Aprire il coperchio del vano batterie del trasmettitore facendolo scorrere per accedere agli interruttori DIP. Questo sarà il trasmettitore 2.

Airfusion Radar Installation Instructions

- Modificare la posizione degli interruttori DIP nel trasmettitore 2, di modo che questo sia diverso dal trasmettitore 1.
- Inserire la batteria 12VDC nel vano. Si prega di assicurarsi che la polarità della batteria sia corretta.
- Accendere il ricevitore 2. Tenere spento il ricevitore 1. (Ogni ventilatore a soffitto deve avere il proprio interruttore di isolamento, in modo che solo il ventilatore a soffitto che deve essere abbinato al trasmettitore sia acceso).
- Premere e tenere premuto il pulsante SET del **trasmettitore 2** per 6 secondi entro 60 secondi dall'accensione del ricevitore del ventilatore a soffitto 2.
- Ora il trasmettitore deve essere abbinato con il ricevitore del ventilatore a soffitto 2. Accendere/spengere o cambiare la velocità del ventilatore a soffitto 2 tramite il trasmettitore per verificarne il funzionamento.

Nota: L'abbinamento del trasmettitore e del ricevitore non è necessario se è installato un solo ventilatore a soffitto. Quando più di due ventilatori a soffitto sono installati uno vicino all'altro, fare riferimento alle istruzioni di cui sopra.

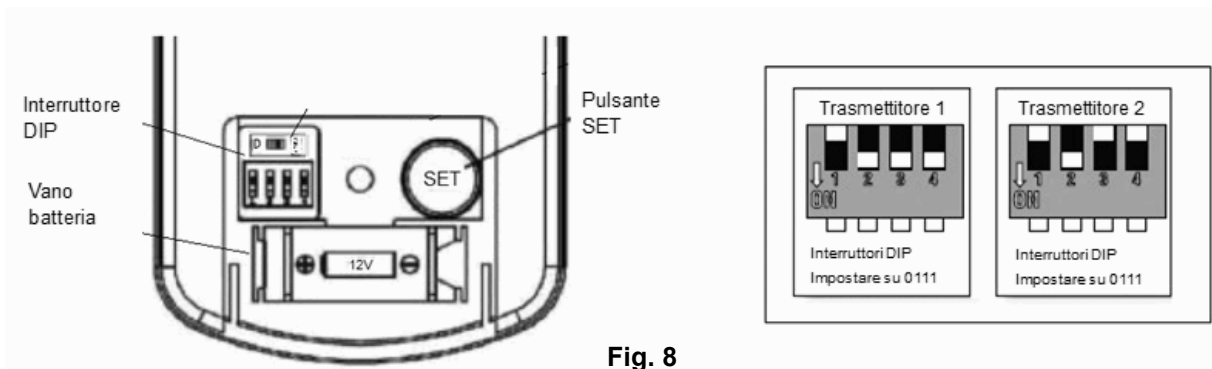


Fig. 8

Pulsanti del telecomando

○,1- PULSANTE DI CONTROLLO DELLA VELOCITÀ DEL VENTILATORE:

Sono disponibili 6 velocità. ○,I è il pulsante per la velocità più bassa, e ○,VI è il pulsante per la velocità più alta.

NOTA: QUANDO SI ACCENDE IL VENTILATORE LA PRIMA VOLTA O SI ATTIVA L'ALIMENTAZIONE PRINCIPALE AL CONTROLLER, BISOGNA AVVIARE IL VENTILATORE PRIMA A VELOCITÀ ALTA “○,VI”, QUINDI SCEGLIERE UNA VELOCITÀ INFERIORE.

SONO NECESSARI 5-10 SECONDI PER CONSENTIRE AL VENTILATORE DC DI RISPONDERE AGLI ORDINI DEL TELECOMANDO, DAL MOMENTO CHE IL VENTILATORE DC INCORPORA UN SENSORE CHE CONTROLLA L'ALIMENTAZIONE AL MOTORE.

○,2- PULSANTE DI SPEGNIMENTO DEL VENTILATORE:



Premere il pulsante per spegnere il ventilatore

○,3- PULSANTE DI INVERSIONE:

Premere il pulsante per invertire il senso di rotazione. Il ventilatore deve essere in funzione per attivare la funzione di inversione.

○,4- PULSANTE DI CONTROLLO DELLA LUCE:

Premere il tasto per accendere/spegnere la luce.

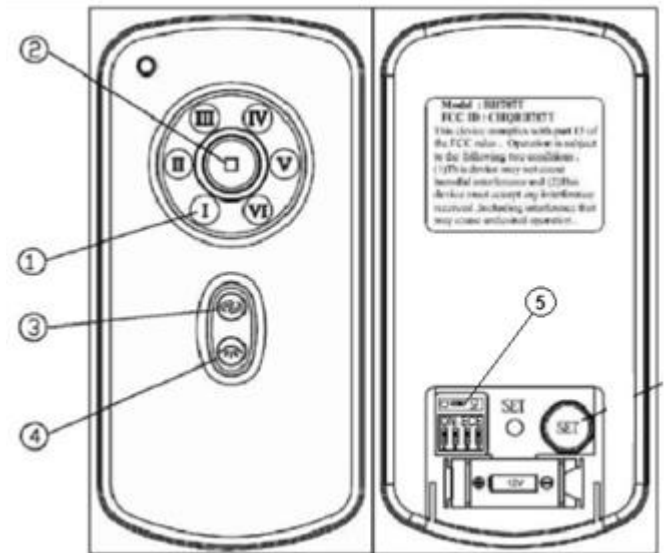


Fig. 9

IL RICEVITORE FORNISCE IL SEGUENTE LIVELLO DI PROTEZIONI

- Posizione di blocco: il ricevitore è dotato di un dispositivo di sicurezza per la protezione contro l'ostruzione durante il funzionamento. Il motore sarà bloccato e scollegato dall'alimentazione dopo 30 secondi di interruzione. Si prega di rimuovere gli ostacoli prima di riavviare. Per ripristinare, è sufficiente spegnere l'alimentazione del motore del ventilatore e riavviare.
- Protezione oltre gli 80W: quando il ricevitore rileva che il consumo energetico è maggiore di 80W, l'alimentazione del ricevitore verrà interrotta e il ventilatore si fermerà immediatamente. Accendere il ricevitore dopo 5 secondi per riavviare il ventilatore.

RIPRISTINO DELL'ABBINAMENTO TRA RICEVITORE E TELECOMANDO

Nel caso in cui il telecomando e il ricevitore perdano il contatto dopo l'installazione o durante l'uso, è necessario ripristinare l'abbinamento tra telecomando e ricevitore. Qui di seguito sono riportati i sintomi del problema e il metodo per ripristinare l'abbinamento tra telecomando e ricevitore del ventilatore

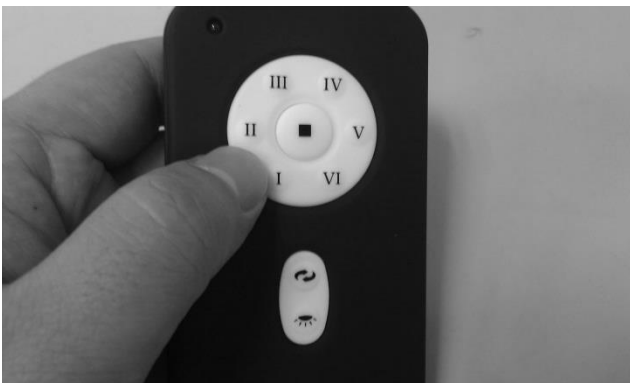
Problemi:

- Perdita di controllo - Il ventilatore funziona solo ad alta velocità dopo l'installazione
- Perdita di controllo - L'inversione non funziona dopo l'installazione
- Perdita di controllo - Il telecomando non può comunicare con il ricevitore

Soluzione:

Se il ventilatore gira alla massima velocità continuamente, il cablaggio non è stato realizzato correttamente in fase di installazione. Se il ventilatore gira solo ad alta velocità, o non funziona in senso inverso né esegue qualsiasi altro comando, si raccomanda di riparare l'abbinamento della comunicazione tra telecomando e ricevitore. Si prega di seguire i passi seguenti:

- A. Togliere il coperchio della batteria del telecomando, controllare la zona dell'adesivo 434 MHz, accertarsi che la batteria sia installata correttamente e l'indicatore luminoso a LED rosso lampeggi. Ciò significa che il telecomando funziona correttamente.



- B. Spegner l'alimentazione principale del ricevitore per più di 30 secondi e riaccenderlo. Premere e tenere premuto il pulsante SET del **telecomando** per 6 secondi entro 60 secondi dall'accensione del ricevitore.



- C. Premere i tasti sul telecomando per azionare il ventilatore. In generale, eseguire i punti A, B e C è sufficiente a ripristinare l'abbinamento tra telecomando e ricevitore, restituendo il pieno controllo del ventilatore. In caso contrario, si prega di procedere al passo successivo.



Airfusion Radar Installation Instructions

D. Gli interruttori DIP sono impostati in fabbrica. È possibile cambiare la posizione degli interruttori DIP secondo 16 combinazioni (es. su-su-giù-giù).



E. Si prega di ripetere i passi da (A) a (C) per verificare il funzionamento.

Se i problemi persistono dopo aver seguito i punti da (A) a (D), e non è ancora possibile comandare il ventilatore, si prega di contattare telefonicamente il servizio di garanzia Lucci o rivolgersi al più vicino negozio Beacon Lighting per ottenere un nuovo telecomando o trasmettitore.

Nota: per ragioni di sicurezza, il nuovo ricevitore deve essere installato da un elettricista autorizzato.

Nota: quando si rimette in pari il telecomando a CC per ventilatore da soffitto e il ricevitore è in funzione, il ventilatore funziona a velocità più alta che in modalità INDIETRO automaticamente per 90 secondi, e quindi funziona in modalità AVANTI per 90 secondi. Durante il processo di rimessa in pari non premere alcun tasto sul telecomando.

GUIDA ALLA RISOLUZIONE DEI PROBLEMI

Consultare sempre la "Guida alla risoluzione dei problemi" inclusa in questo opuscolo prima di chiamare il servizio di assistenza. Le chiamate superflue sono scomode per tutti e possono comportare un costo.

Per sicurezza, assicurarsi che il ventilatore sia spento prima di procedere alla risoluzione dei problemi.

PROBLEMA	CAUSE PROBABILI	RIMEDIO SUGGERITO
1. Il ventilatore non si avvia (Attenzione: il ventilatore deve essere spento, e l'assistenza di un elettricista qualificato può rendersi necessaria)	A. Fusibile o interruttore saltato.	Controllare i fusibili dei circuiti principale e derivati o gli interruttori.
	B. Connessioni di alimentazione del ventilatore allentate (normalmente ciò si verifica durante l'installazione).	Controllare le connessioni di alimentazione del ventilatore. Questa operazione deve essere eseguita da un elettricista qualificato.
	C. Il telecomando non dà segno di funzionare.	- La batteria è scarica. Sostituire la batteria. - Verificare che il telecomando sia correttamente abbinato con il ricevitore.
	D. Accensione del ventilatore tramite l'interruttore di rete.	Verificare se c'è corrente al ventilatore.
2. Il ventilatore traballa (Fare riferimento alla sezione traballamento del manuale per ulteriori	A. Le pale non sono orizzontali rispetto al soffitto.	Fare riferimento alla pagina "risolvere il problema del traballamento" del manuale. - Può essere necessario regolare le viti di fissaggio della pala;

informazioni)		- La pala è sformata e provoca oscillazioni. Sarà necessario sostituirla con una nuova. Contattare il rivenditore per ulteriori dettagli.
	B. Le viti della pala sono allentate.	Assicurarsi che tutte le viti siano ben strette.
	C. La pala o le pale sono sformate.	Rimuovere la pala e deporla su una superficie piana per verificare se è sformata. Contattare il rivenditore per ulteriori dettagli.
3. Il ventilatore è rumoroso	A. La parte superiore della calotta tocca il soffitto.	Abbassare la calotta per lasciare un gioco di 3 mm rispetto al soffitto.
	B. Viti della pala allentate.	Serrare tutte le viti della pala del ventilatore, ma non stringere eccessivamente.
	C. Il ventilatore non è ben fissato al soffitto.	Serrare tutte le viti della staffa o piastra di sostegno.
	D. Velocità errata del controller.	Sostituire il controller con quello fornito. (Questa operazione deve essere eseguita da un elettricista autorizzato).
4. Rumore meccanico	A. Lasciar passare un periodo di assestamento di almeno 8 ore.	
5. La luce non si accende (SOLO per ventilatori con kit luce opzionale)	Lampadina fulminata.	Sostituire la lampadina.

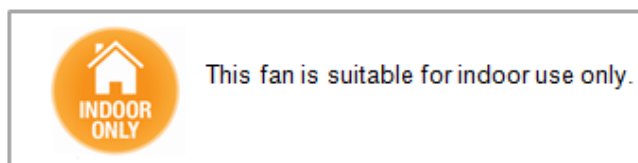
INFORMAZIONI TECNICHE

Modelli di VENTILATORE A SOFFITTO A CORRENTE CONTINUA	Tensione nominale	Potenza nominale (motore)	Batteria del telecomando
RADAR FAN	220-240VAC	35W	1 x 12V 23AE

WARRANTY CONDITIONS

IN AUSTRALIA / NEW ZEALAND CUSTOMER – Please refer to the separated WARRANTY STATEMENT.

IN EUROPA - I clienti europei sono pregati di contattare il punto vendita dove è stato acquistato il ventilatore per il servizio di garanzia.



NL

GEFELICITEERD MET UW AANKOOP

Gefeliciteerd met uw aankoop van een van de laatste nieuwe energiebesparende plafondventilatoren. Deze ventilator werkt met gelijkstroom (DC, Direct Current), wat het voordeel heeft dat de ventilator energiezuinig werkt, terwijl hij toch een grote hoeveelheid lucht verplaatst en stil werkt.

Energiebesparend - De gelijkstroommotor (DC-motor) is voorzien van de laatste nieuwe technologie op het gebied van ventilator-design. De uiterst efficiënte motor bespaart tot 65% energie in vergelijking met plafondventilatoren met traditionele wisselstroommotoren (AC-motoren).

Stille werking - deze ventilator met gelijkstroommotor is geprogrammeerd met een gestabiliseerde stroom die het motorgeluid efficiënt reduceert.


Lage bedrijfstemperatuur – De gelijkstroom wordt efficiënt beheerd, zodat de werkt temperatuur van de motor onder 50degs blijft. Dit resulteert in een veel koelere motor dan een standaardventilator met wisselstroom en zorgt voor een langere levensduur van de motor.

Afstandsbediening met 6 snelheden, de normale plafondventilatoren met wisselstroommotoren (AC) hebben gewoonlijk maar 3 snelheden. Deze DC-ventilator is voorzien van 6 snelheden en een afstandsbediening, zodat u meer keuze hebt voor de afstelling van uw comfortniveau.

VEILIGHEIDSVOORSCHRIFTEN

- 1) Dit apparaat kan door kinderen van 8 jaar en ouder, door onervaren personen en door personen met lichamelijke en mentale beperkingen gebruikt worden mits zij het product onder toezicht op een veilige manier gebruiken en de eventuele gevaren begrijpen. Reiniging en onderhoud mag niet door kinderen zonder toezicht worden uitgevoerd.
- 2) Kinderen moeten onder toezicht blijven bij het gebruik van het apparaat en niet met het apparaat spelen.
- 3) Een ontkoppelingsschakelaar moet in de vast bedrading geïntegreerd worden, volgens de lokale



bedradingsvoorschriften.  Werp elektrische apparatuur niet weg bij het huishoudafval, gebruik gescheiden afvalverwerkingsfaciliteiten. Neem contact op met uw lokale overheid voor informatie over de beschikbare gescheiden afvalvoorzieningen. Als elektrische apparatuur op stortplaatsen weggegooid wordt, kunnen gevaarlijke stoffen in het grondwater lekken en in de voedselketen terecht komen wat zeer slecht is voor welzijn en gezondheid.

- 4) De structuur waar de ventilator op bevestigd wordt, moet 30 kg kunnen dragen.
- 5) De ventilator moet zo bevestigd worden dat de schoepen tenminste **2.3** meter boven de grond hangen In Europa.
- 6) De ventilator moet zo bevestigd worden dat de schoepen tenminste **2.1** meter boven de grond hangen In Australië.
- 7) Deze ventilator is alleen geschikt voor binnengebruik.
- 8) Alleen een gekwalificeerde elektricien mag de installatie uitvoeren.



VOOR DE INSTALLATIE

Pak de ventilator uit en controleer de inhoud. U moet de volgende elementen hebben:

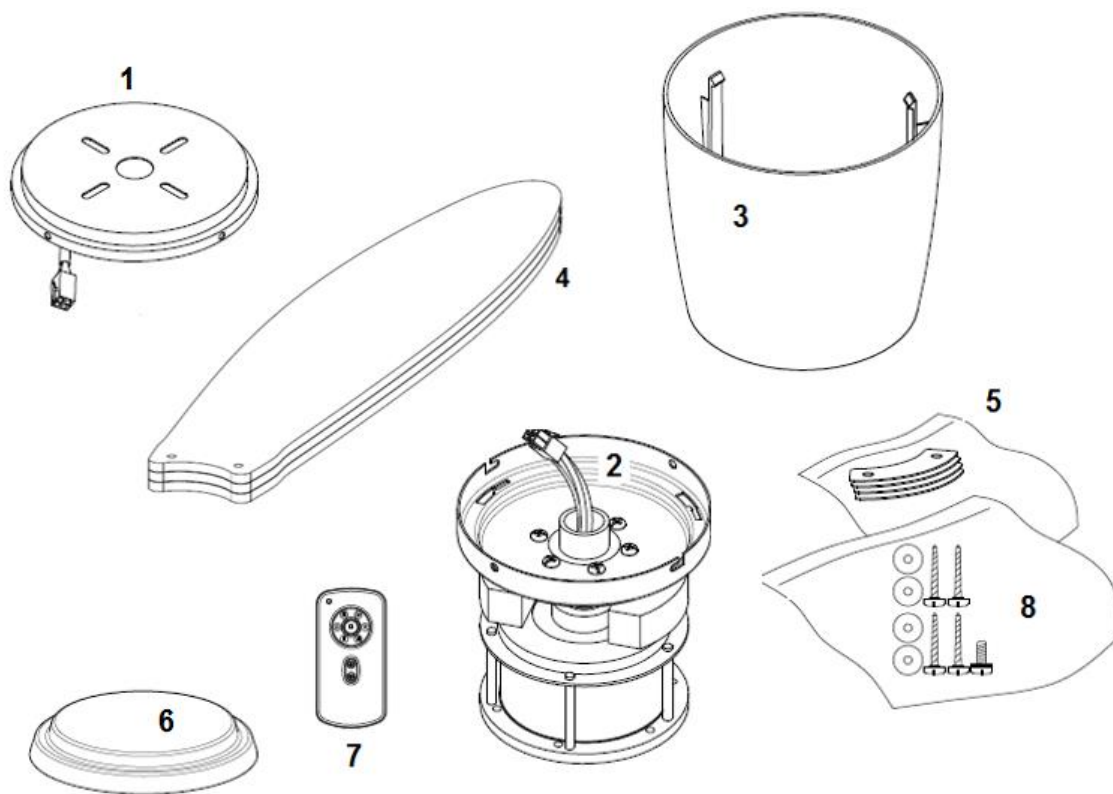


Fig. 1

- | | | | |
|---|---|----|--|
| 1 | Bevestigingsplaat x 1 | 7 | Afstandsbediening met houder x 1 set |
| 2 | Ventilator assemblage met ophangplaat, ontvanger en motor x 1 | 8 | Zakje met schroeven:
Extra motor-schroef x 1
Platte ring x 4
Houten schroef x 4 |
| 3 | Motor behuizing x 1 | 9 | Schroef voor de afstandsbedieningshouder x 2 (niet getoond) |
| 4 | Ventilatorblad x 4 | 10 | 12V Batterij voor de afstandsbediening x 1 (niet getoond) |
| 5 | Set ventilatorblad-plaatjes x 4 | | |
| 6 | Bodemplaat x 1 | | |



BENODIGD GEREEDSCHAP

BENODIGD GEREEDSCHAP:

- Phillips / Platkopschroevendraaier
- Tang
- Regelbare spanner
- Trapladder
- Draadsnijder
- Bedrading, toevoerkabel zoals vereist door de plaatselijke, provinciale en nationale wetgeving en reglementeringen inzake de bedrading.

INSTALLATIEVAN DE MONTAGEBEUGEL

De plafondventilator moet worden geïnstalleerd op een plaats waar de bladen een ruimte hebben van 3000 mm van de bladuiteinden tot de dichtstbijzijnde voorwerpen of muren.

Bevestig de hangconsole aan de plafondhaak of de structuur die in staat is om een gewicht van minstens 30 kg te dragen, met behulp van de twee lange meegeleverde schroeven. Zorg ervoor dat minstens 30 mm van de schroefdraad in de drager zit.

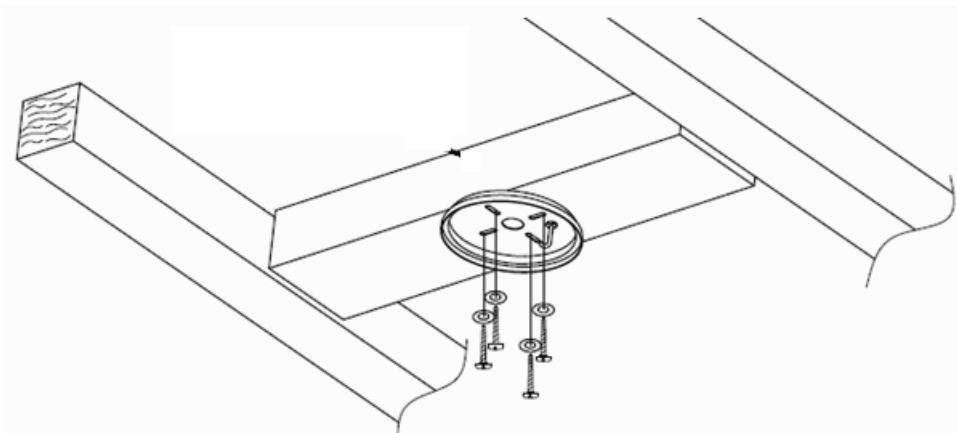


Fig. 2

LET OP: De meegeleverde schroeven zijn alleen bedoeld voor houten structuren. Voor andere structuren dan hout, **MOET** het juiste schroeftype worden gebruikt.

Gehoekte plafondinstallatie

DIT ventilator ophangstelsel **IS NIET GESCHIKT VOOR** schuine plafonds.

HET OPHANGEN VAN DE VENTILATORMOTOR ASSEMBLAGE

- Til de ventilator assemblage omhoog tot aan de bevestigingsplaat (1) en steek de J-haak van de bevestigingsplaat (4) door het gat van de ophangplaat en hang de ventilator assemblage op (3). Fig. 3
- Sluit de mannetje - vrouwtje connectors aan (2). Fig. 3
- Gebruik het bedradingschema hieronder om de ventilator verder aan te sluiten (Figure. 4).



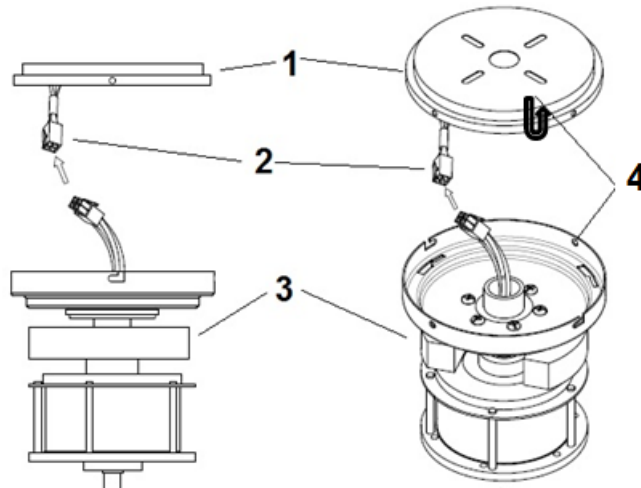


Fig. 3

VOORBEREIDING EN AANSLUITING VAN DE STROOMDRADEN --- BEDRADINGSSHEMA (Fig. 4)

WAARSCHUWING: VOOR UW VEILIGHEID MOETEN ALLE ELEKTRISCHE AANSLUITINGEN AANGESLOTEN WORDEN DOOR EEN GEDIPLOMEERD INSTALLATEUR.

NOTE: ER MOET EEN AAN/UIT SCHAKELAAR AANWEZIG ZIJN IN HET VASTE STROOMNETWERK

NOTE: INDIEN ER TWEE OF MEER DC-PLAFONDVENTILATOREN OP EEN (1) PLAATS WORDEN GEÏNSTALLEERD, MOET ER VOOR ELKE PLAFONDVENTILATOR EEN APARTE SCHAKELAAR ZIJN. DIT IS EEN VEREISTE WANNEER DE AFSTANDSBEDIENING EN DE ONTVANGER ALS PAAR GEPROGRAMMEERD WORDEN

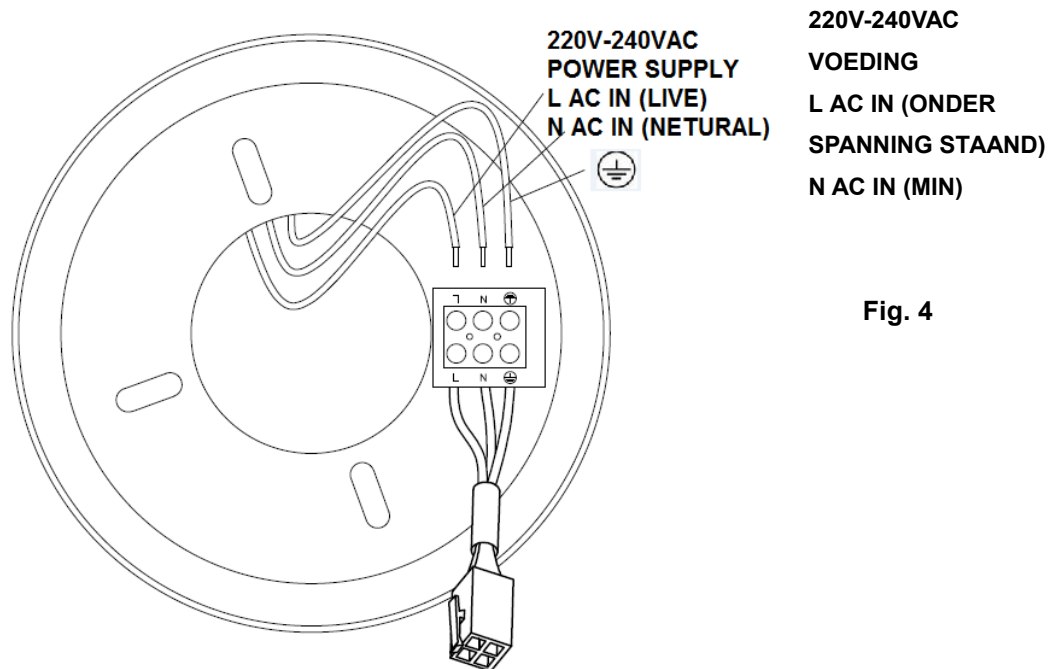


Fig. 4

INSTALLATIE VAN DE VENTILATORMOTOR-BEHUIZING

- Draai 2 schroeven (2) van de bevestigingsplaat los. Fig. 5
- Draai 2 schroeven (1) van de bevestigingsplaat half los Fig. 5
- Til de ophangplaat van de ventilator assemblage omhoog tot aan de bevestigingsplaat en voer de L-vormige uitsparingen van de ophangplaat langs de schroeven (1) op de bevestigingsplaat. Draai de ophangplaat totdat hij op zijn plaats is aan het eind van de uitsparing en zet hem vast door de twee schroeven aan te draaien (2). Denk er om de elektrische bedrading die eerder in orde werd gemaakt niet te beschadigen
- Bevestig als laatste de motorbehuizing aan de ophangplaat en zet hem vast door de haken (3) in de uitsparingen te steken en door hem linksom te draaien.

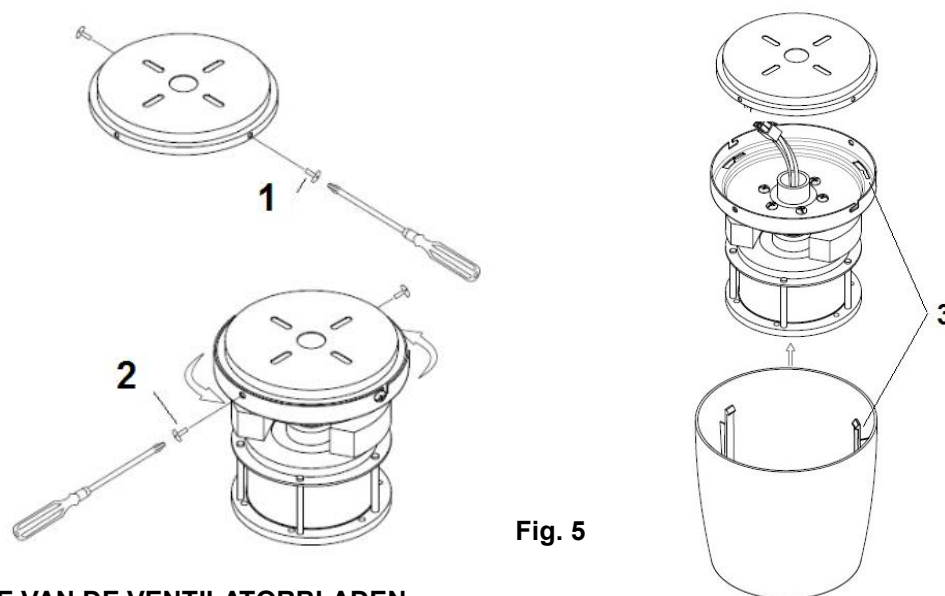


Fig. 5

INSTALLATIE VAN DE VENTILATORBLADEN

- Steek de ventilatorbladschroeven als volgt door het blad-einde: - ventilatorblad-plaat (2) en blad (1). Bevestig het blad aan de motor en zet het vast door de 2 schroeven aan te draaien (3). Fig. 6
- Herhaal deze installatie voor de andere ventilatorbladen.
- Bevestig daarna de bodemplaat (4) op de as van de motor door hem rechtsom te draaien.

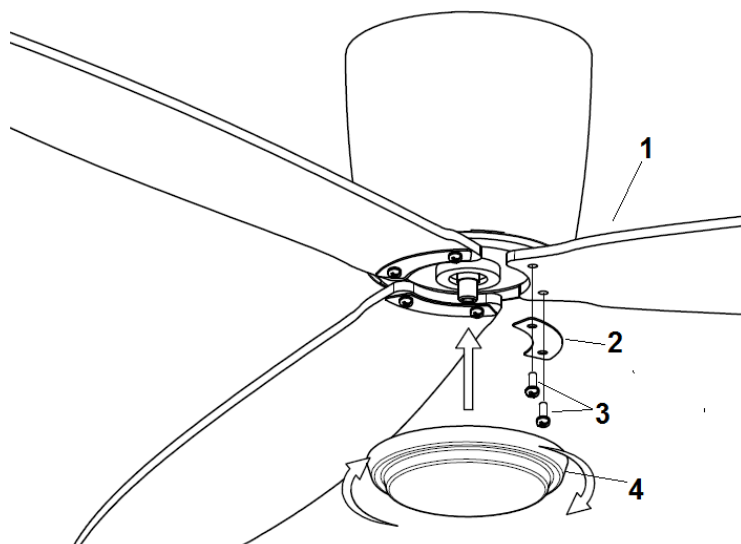


Fig. 6

LICHTSET Installatie (Lichtset- optioneel)

Opmerking: De lichtset moet door een gekwalificeerde elektricien geïnstalleerd worden.

OPMERKING: De lichtset bestaat voor een aantal ventilatormodellen en al seen optionele lichtset.

1. Verwijder de behuizing aan de onderkant.
2. Verwijder de flexibele buis uit de bedradingsconnector.
3. Lees de lichtset installatiehandleiding voor het installeren van de set.

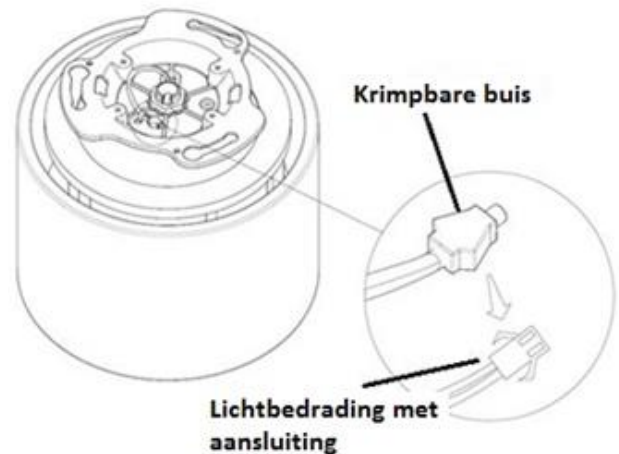


Fig. 7

GEBRUIK VAN UW PLAFONDVENTILATOREN MET DE AFSTANDSBEDIENING

Het koppelen van zender en ontvanger - als 2 of meer DC-plafondventilatoren op een plaats worden geïnstalleerd.

Als zich twee of meerdere ventilatoren dicht bij elkaar bevinden, wilt u misschien dat de ontvanger/zender van iedere ventilator een andere code heeft, zodat de werking van de ene ventilator die van de andere ventilatoren niet beïnvloedt. De DIP-schakelaars voor de zender(handstuk van de afstandsbediening) bevinden zich in het batterijcompartiment van de zender. Door de configuratie van de DIP-schakelaars kan een unieke zendercode aan elke plafondventilator worden toegekend.

LET OP: Zorg ervoor dat er op alle polen een verbrekingschakelaar in de vaste bedrading voor elke ventilator is geïnstalleerd als u de DIP-codefunctie gebruikt.

OPMERKING: Zorg ervoor dat de stroom naar de Ontvanger **AAN** staat voordat u de zender aan de ontvanger koppelt.

Koppeling van zender/ontvanger voor plafondventilator 1:

- Schakel plafondventilatoren 1 en 2 uit via de stroomschakelaar op de ontvanger.
- Schuif het deksel van het batterijcompartiment van de zender om toegang te verkrijgen tot de DIP-schakelaars. Dit zal zender 1 zijn.
- Wijzig de positie van de DIP-schakelaars in de externe zender 1, zodat deze zal verschillen van zender 2.
- Installeer de batterij van 12VDC in het compartiment. Controleer of de polariteit van de batterij correct is.
- Zet de stroom aan naar ontvanger 1. Houd de stroom naar ontvanger 2 op UIT (OFF). (Elke plafondventilator moet zijn eigen isolatieschakelaar hebben, zodat alleen de plafondventilator die aan de zender moet worden gekoppeld, AAN (ON) staat.
- Druk de SET-knop van **zender 1** en houd de knop ingedrukt gedurende 6 seconden binnen de 60 seconden nadat de stroom van de ontvanger van plafondventilator 1 werd ingeschakeld.
- Nu zou de zender gekoppeld moeten zijn aan de ontvanger van plafondventilator 1. Zet de ventilator AAN/UIT of wijzig de snelheid van plafondventilator 1 via de zender om de werking te controleren.

Instelling DC-plafondventilator 2:

- Schakel plafondventilatoren 1 en 2 uit via de stroomschakelaar op de ontvanger.

Airfusion Radar Installation Instructions

- Schuif het deksel van het batterijcompartiment van de zender om toegang te verkrijgen tot de DIP-schakelaars. Dit zal zender 2 zijn.
- Wijzig de positie van de DIP-schakelaars in de externe zender 2, zodat deze verschillend zal zijn van zender 1.
- Installeer de batterij van 12VDC in het compartiment. Controleer of de polariteit van de batterij correct is.
- Zet de stroom aan naar ontvanger 2. Houd de stroom naar ontvanger 1 uitgeschakeld (OFF). (Elke plafondventilator moet zijn eigen isolatieschakelaar hebben, zodat alleen de plafondventilator die aan de zender moet worden gekoppeld, AAN (ON) staat.
- Druk de SET-knop van **zender 2** en houd de knop ingedrukt gedurende 6 seconden binnen de 60 seconden nadat de stroom van de ontvanger van plafondventilator 2 werd ingeschakeld.
- Nu zou de zender gekoppeld moeten zijn aan de ontvanger van plafondventilator 2. Zet de ventilator AAN/UIT of wijzig de snelheid van plafondventilator 2 via de zender om de werking te controleren.

Let op: De koppeling van de zender en de ontvanger is niet nodig als er maar een plafondventilator is geïnstalleerd. Als meer dan twee plafondventilatoren dicht bij elkaar worden geïnstalleerd, raadpleeg dan de bovenstaande instructies.

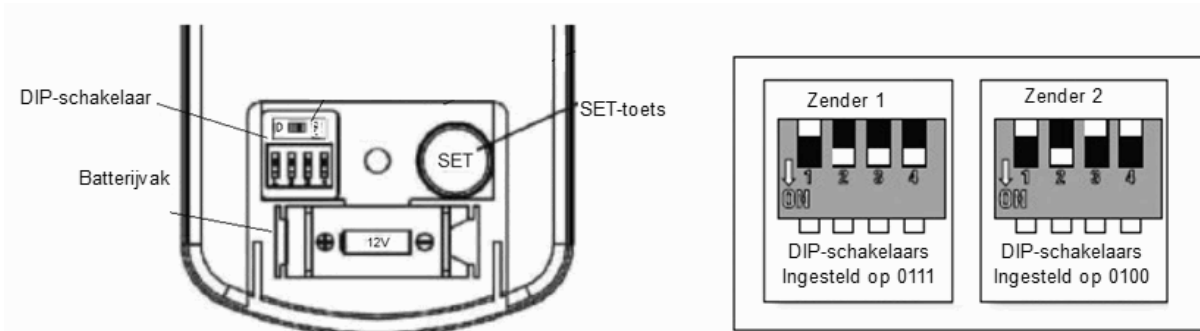


Fig. 8

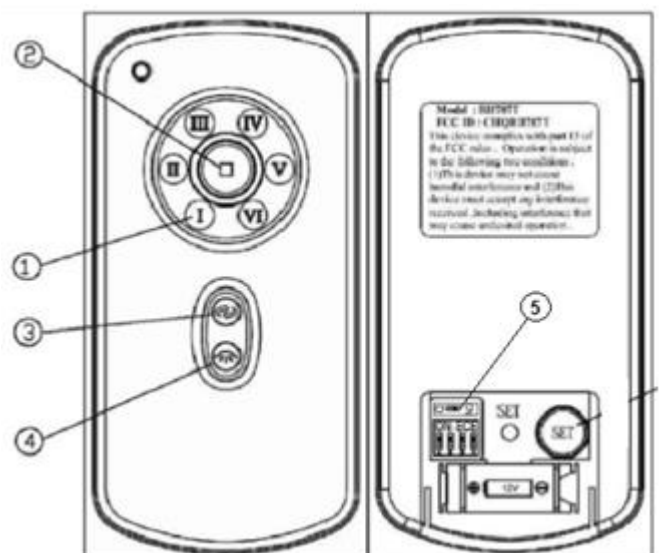
Toetsen van de afstandsbediening

○, I- KNOPSNELHEIDSREGELING VENTILATOR:

Er zijn 6 beschikbare snelheden. ○, I De knop dient voor de laagste snelheid, en de ○, VI knop dient voor de hoogste snelheid.

OPMERKING: ALS U DE VENTILATOR VOOR DE EERSTE KEER INSCHAKELT OF BIJ HET INSCHAKELEN VAN DE STROOM NAAR DE REGELAAR, MOET U DE VENTILATOR EERST INSTELLEN OP HIGH “○, VI”

Fig. 9



(HOGE SNELHEID) EN DE SNELHEID VERVOLGENS VERMINDEREN.

ER ZIJN 5-10 SECONDEN NODIG VOORDAT DE DC-VENTILATOR OP DE AFSTANDBEDIENING REAGEERT BIJ HET SELECTEREN VAN DE SNELHEID OF DE DRAAIRICHTING VAN DE VENTILATOR, OMDAT DE DC-VENTILATOR EEN SENSORCONTROLE BEVAT DIE DE STROOM NAAR DE MOTOR REGELT.

○,2- KNOPVENTILATOR UIT:

Druk op de knop om de ventilator uit te schakelen

○,3- KNOPVOOR OMGEKEERDE WERKING:

Druk op de knop om de werking in omgekeerde richting te activeren. De ventilator moet In werking zijn om de omgekeerde richting te kunnen activeren.

○,4- KNOP VOOR DE LICHTREGELING:

Druk op de knop om het licht aan/uit te zetten.

DE ONTVANGER IS VOORZIEN VAN DE VOLGENDE BESCHERMINGEN TEGEN:

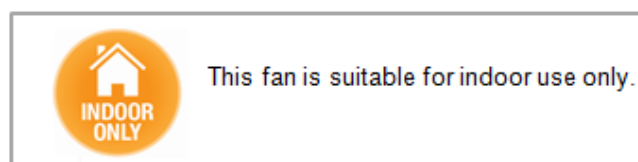
- Vergrendeling van positie: de ontvanger heeft een ingebouwde veiligheidsfunctie om de ventilator tijdens de werking tegen blokkering te beschermen. De motor zal vergrendeld worden zodat hij niet kan werken en zal afgekoppeld worden van het stroomnet na een onderbreking van 30 seconden. Verwijder alle hindernissen voordat u de ventilator opnieuw start. Om de ventilator te resetten, zet u gewoon de stroomvoorziening van de ventilatormotor terug aan en start u de ventilator opnieuw.
- Beveiliging tegen meer dan 80W: als de ontvanger detecteert dat er een stroomverbruik is van meer dan 80W, wordt de stroom naar de ontvanger gestopt en zal de werking onmiddellijk worden onderbroken. Zet de stroom van de ontvanger na 5 seconden terug aan om de ventilator opnieuw te starten.

DE ONTVANGER VAN DE VENTILATOR REPAREREN & EXTERNE KOPPELING

Als de afstandsbediening en de ontvanger de controle over de installatie of tijdens het gebruik verliezen, moeten de afstandsbediening en de ontvanger opnieuw worden gekoppeld. Hieronder vindt u de uitleg over de symptomen tijdens de werking en de methode om de afstandsbediening en de ontvanger van de DC-plafondventilator opnieuw te koppelen.

Problemen:

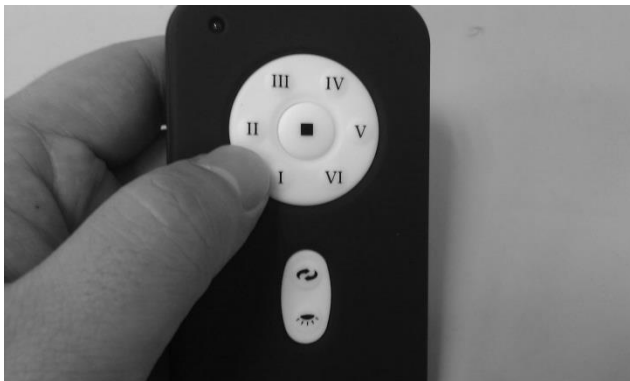
- Verlies van controle - De ventilator werkt na de installatie alleen op hoge snelheid.
- Verlies van controle - Geen omgekeerde werking na de installatie.
- Verlies van controle - afstandsbediening kan niet met de ontvanger communiceren



Oplossing:

Als de ventilator doorlopend op de hoogste snelheid werkt, betekent dit dat de bedrading van de installatie correct is. Als de ventilator alleen op hoge snelheid werkt, of niet omgekeerd kan werken, of niet reageert op andere commando's, is het raadzaam om de communicatiekoppeling tussen zender en ontvanger opnieuw uit te voeren. Volg hiervoor de onderstaande stappen:

- A. Verwijder het deksel van het batterijvak van de afstandsbediening, controleer de zone van de 434 Mhz-sticker en controleer of de batterij correct is aangebracht. Als de rode LED-indicator knippert, betekent dit dat de afstandsbediening goed werkt.



- B. Schakel de stroomvoorziening naar de ontvanger gedurende meer dan 30 seconden uit en schakel de stroom naar de ontvanger dan opnieuw aan. Druk de SET-knop van de **afstandsbediening** gedurende 6 seconden in en binnen de 60 seconden nadat de stroom naar de ontvanger is ingeschakeld.



Airfusion Radar Installation Instructions

- C. Druk de knoppen op de afstandsbediening in om de ventilator aan te zetten. In het algemeen moet de koppeling tussen de afstandsbediening en de ontvanger hersteld zijn als u punt A, B en C hebt uitgevoerd en zult u de ventilator opnieuw correct kunnen bedienen. Zo niet, voer dan de volgende stap uit.
- D. De DIP-schakelaars zijn in de fabriek al ingesteld. We kunnen de DIP-schakelaars op elke locatie met 16 opties wijzigen. (bv. op-op-neer-neer).



- E. Gelieve de stappen (A)~(C) te herhalen om de werking te controleren.

Als de problemen zich nog steeds voordoen nadat u de punten (A) tot (D) hebt uitgevoerd en u kunt de ventilator nog steeds niet regelen, bel dan naar het servicenummer van Lucci of neem contact op met uw verdeler van Beacon Lighting voor een nieuwe afstandsbediening of voor een nieuwe zender.

Opmerking: Moet door een erkende elektricien worden geïnstalleerd.

Opmerking: Tijdens het repareren van de afstandsbediening en ontvanger, zal de ventilator automatisch 90 seconden in ACHTERUIT modus draaien op de hoogste snelheid, en daarna in VOORUIT modus voor 90 seconden. Tijdens dit afstemmingsproces moet geen enkele knop op de afstandsbediening ingedrukt worden.

CHECKLIST VOOR HET VERHELPE VAN PROBLEMEN

Controleer altijd de "Checklist voor het verhelpen van problemen" in dit boekje voordat u de servicedienst belt. Onnodige oproepen zijn vervelend voor iedereen en kunnen extra servicekosten veroorzaken.

Voor uw eigen veiligheid moet u erop letten dat de plafondventilator is uitgeschakeld (OFF) voordat u probeert om een probleem te verhelpen.

PROBLEEM	MOGELIJKE OORZAKEN	VOORGESTELDE OPLOSSING
1. De ventilator wil niet starten. De ventilator moet UITgeschakeld zijn en het is mogelijk dat u een beroep moet doen op de hulp van een erkende elektricien.	A: De zekering of de kringverbreker is defect.	Controleer de zekeringen en de kringverbrekers.
	B: Losse stroomverbindingen naar de ventilator (doet zich normaal voor tijdens de installatie).	Controleer de stroomverbindingen naar de ventilator. Moet gebeuren door een erkende elektricien.
	C: Geen reactie van de externe	- De laadtoestand van de batterij is laag. Vervang de

	zender.	batterijen. - Controleer of de juiste afstandsbediening aan de ontvanger is gekoppeld.
	D: Schakel de ventilator aan met de handmatige schakelaar.	Controleer of de ventilator van stroom wordt voorzien.
2. De ventilator schommelt (Zie het gedeelte "Verhelpen van schommelen" in de handleiding voor verdere informatie.)	A: De ventilatorbladen bevinden zich niet horizontaal ten opzichte van het plafond.	Zie het gedeelte "Verhelpen van schommelen" in de handleiding. - Het is mogelijk dat het blad moet worden afgesteld met de montageschroeven op het ventilatorblad. - Het ventilatorblad is vervormd en doet de ventilator daardoor schommelen. De ventilatorbladen moeten worden vervangen. Neem contact op met uw verdeler voor meer informatie.
	B: De bladschroeven zitten los.	Maak alle schroeven goed vast.
	C: Blad(en) zijn vervormd.	Verwijder het/ de ventilatorblad(en) en leg ze op een plat oppervlak om te zien of de bladen vervormd zijn. Neem contact op met uw verdeler voor meer informatie.
3. De ventilator is lawaaierig.	A: De bovenkant van de kap raakt het plafond.	Zorg ervoor dat de kap minimum 3 mm van het plafond verwijderd blijft.
	B: Maak de schroeven van de ventilatorbladen los.	Trek alle schroeven op de ventilatorbladen opnieuw goed aan, zonder ze te overdraaien.
	C: De plafondventilator is niet correct tegen het plafond bevestigd.	Trek alle schroeven in de hangende beugel of plaat terug stevig aan.
	D: Onjuiste snelheidsregelaar.	Vervang de regelaar door de meegeleverde regelaar. (Moet worden uitgevoerd door een erkende elektricien.)
4 Mechanische geluiden	A: Laat de ventilator minstens 8 uur rusten	
5. Het licht gaat niet AAN (ALLEEN bij optionele lampkit)	De lamphouder/lamp is defect	Vervang de lamphouder/lamp

TECHNISCHE INFORMATIE

Modellen gelijkstroomventilatoren van de	Nominale spanning	Nominaal vermogen (motor)	Batterij voor afstandsbediening
RADAR FAN	220-240VAC	35W	1 x 12V 23AE

WARRANTY CONDITIONS

IN AUSTRALIA / NEW ZEALAND CUSTOMER – Please refer to the separated WARRANTY STATEMENT.

IN EUROPA - Als u een Europese klant bent, gelieve contact op te nemen met uw verdeler waar u de ventilator hebt gekocht voor meer info over de garantie.

