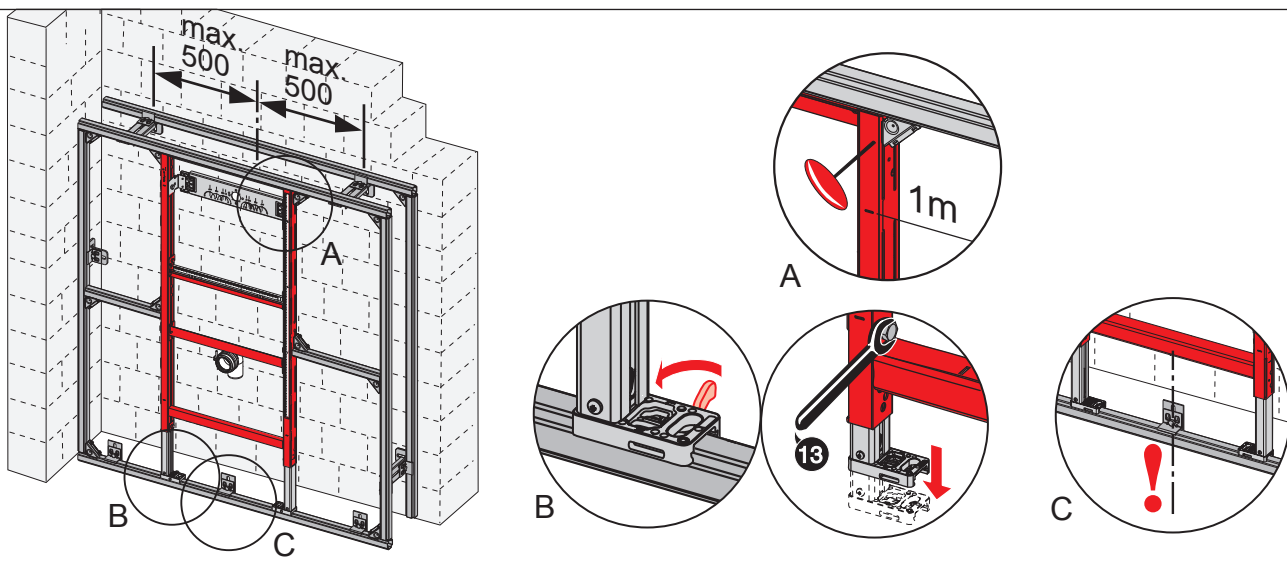
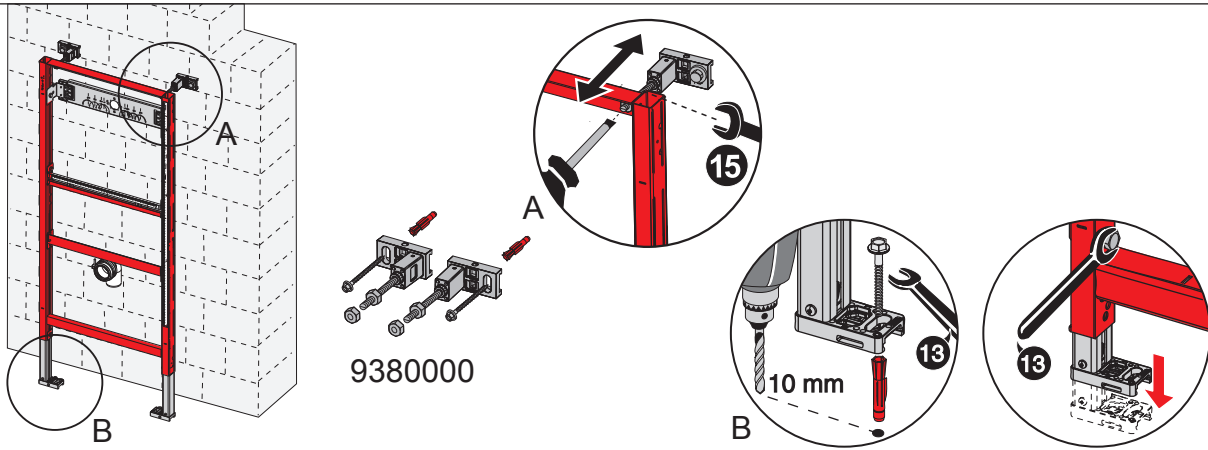
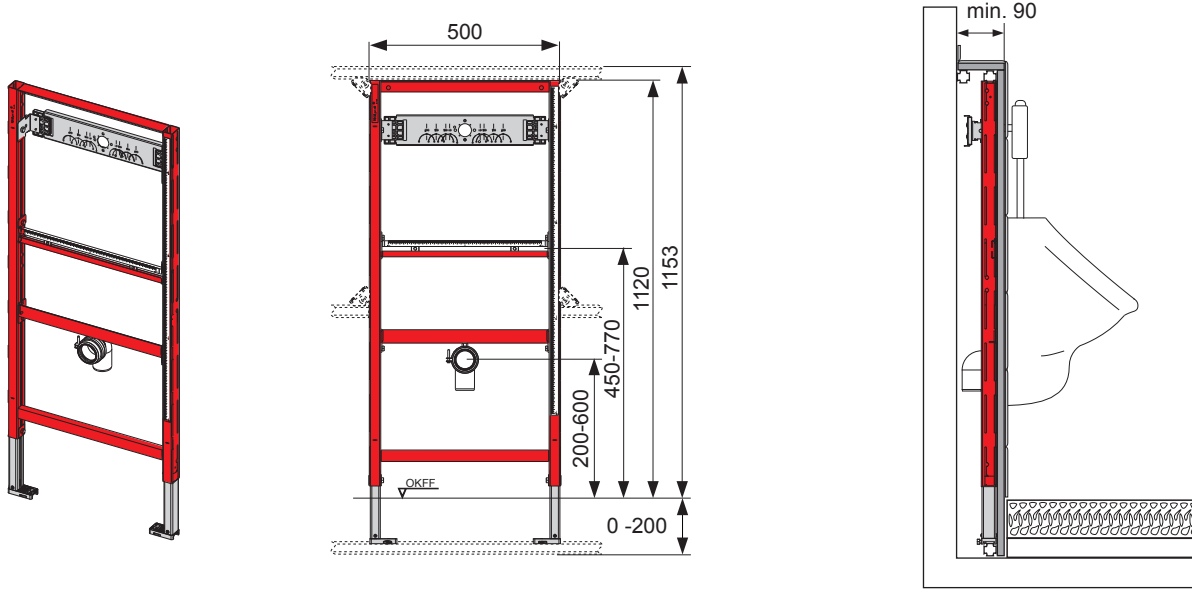
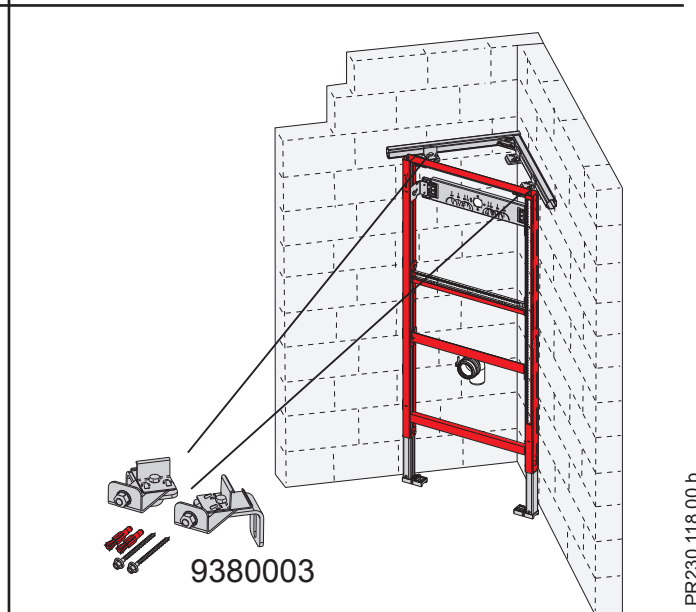
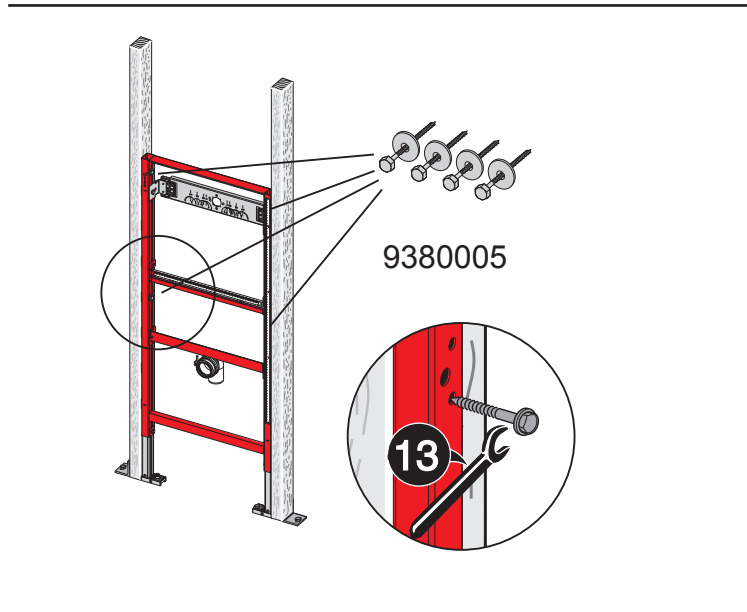
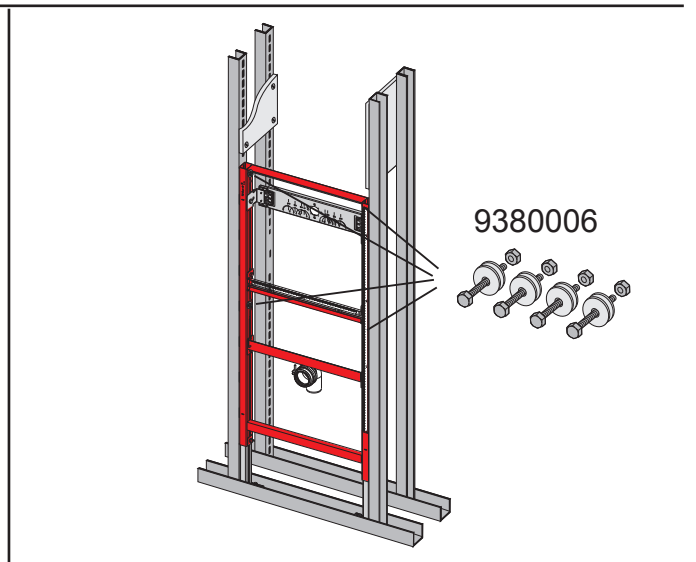
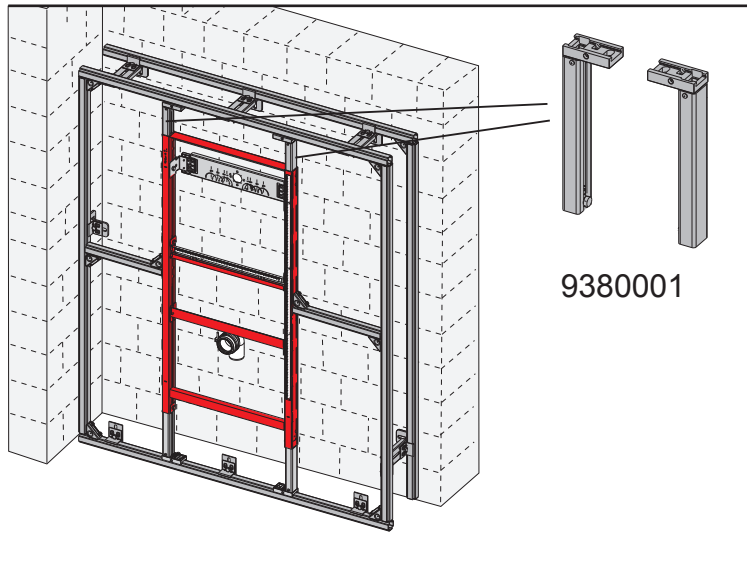
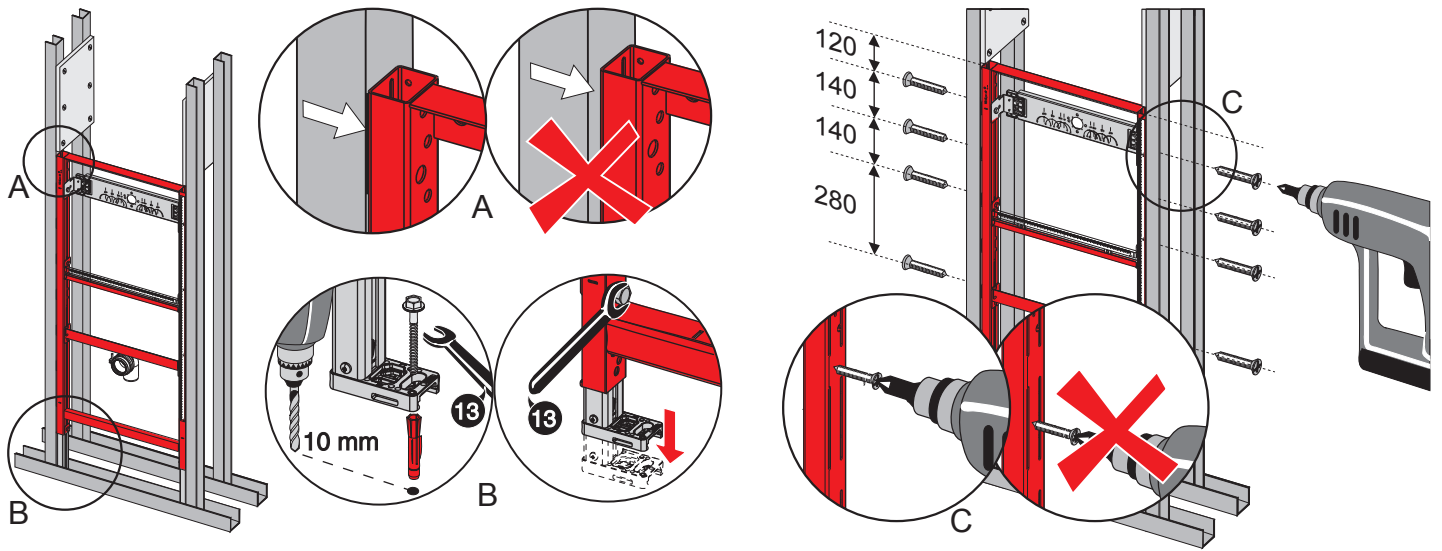


TECEprofil – 9320010

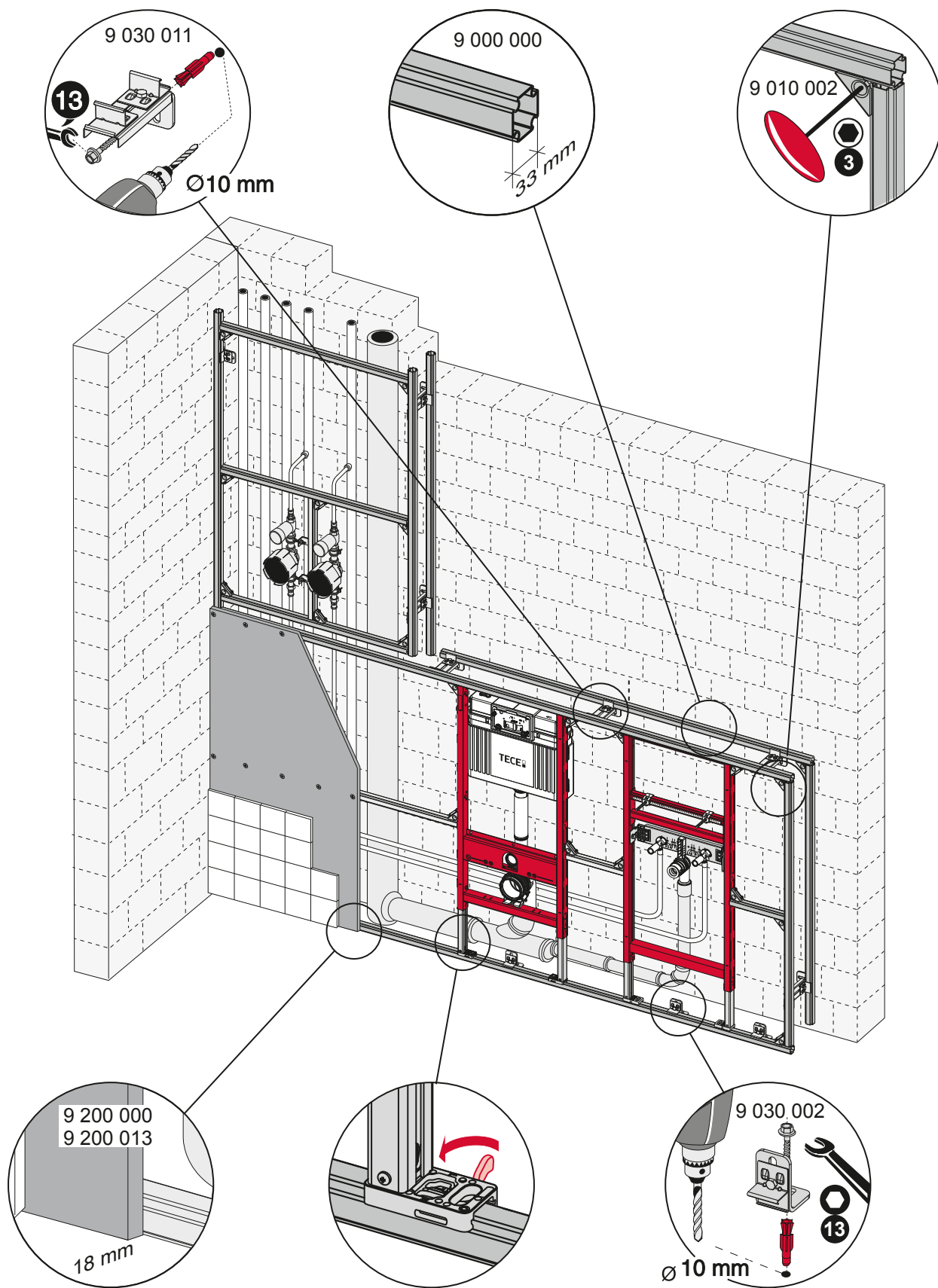


TECEprofil – 9320010

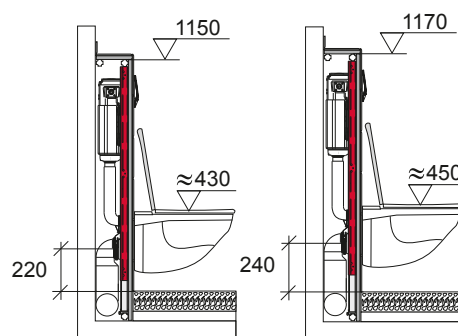
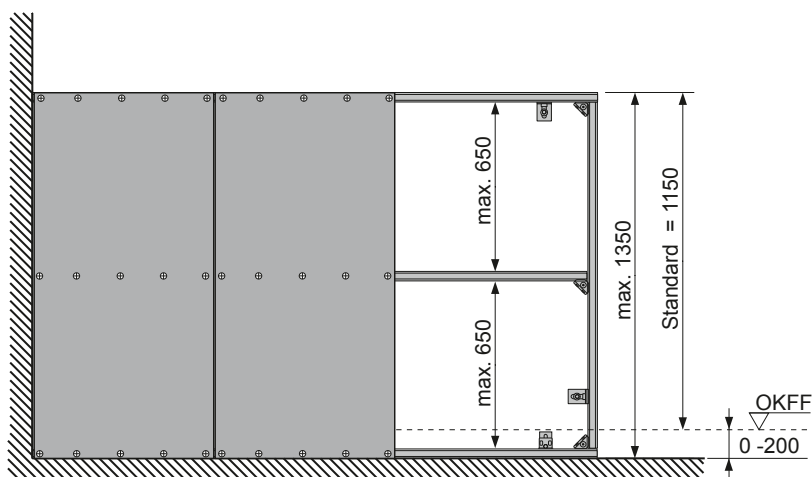
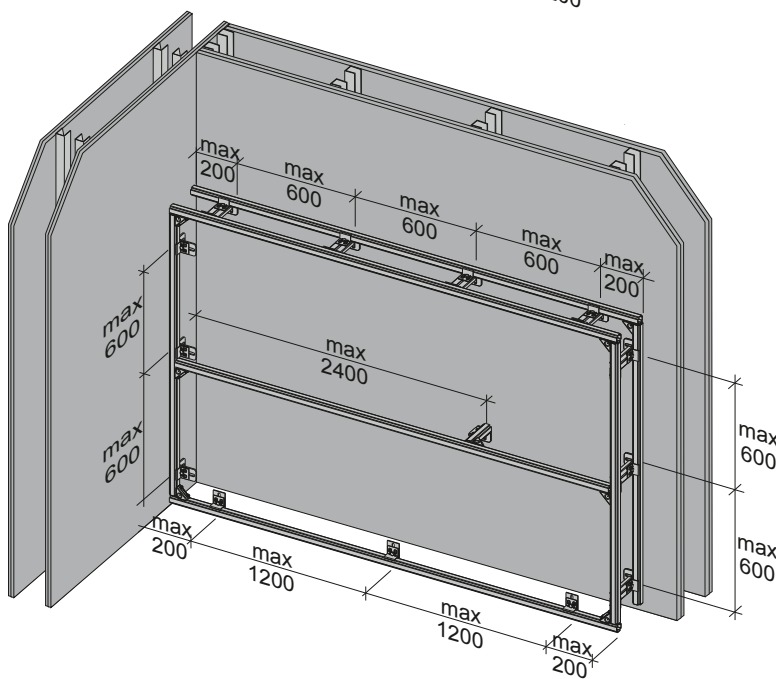
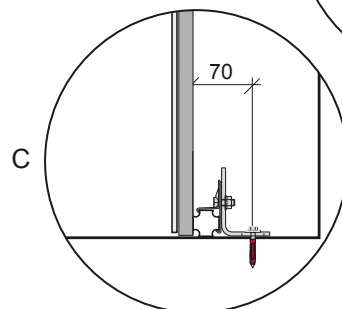
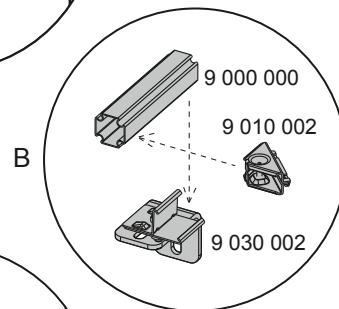
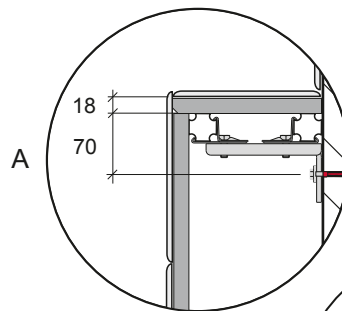
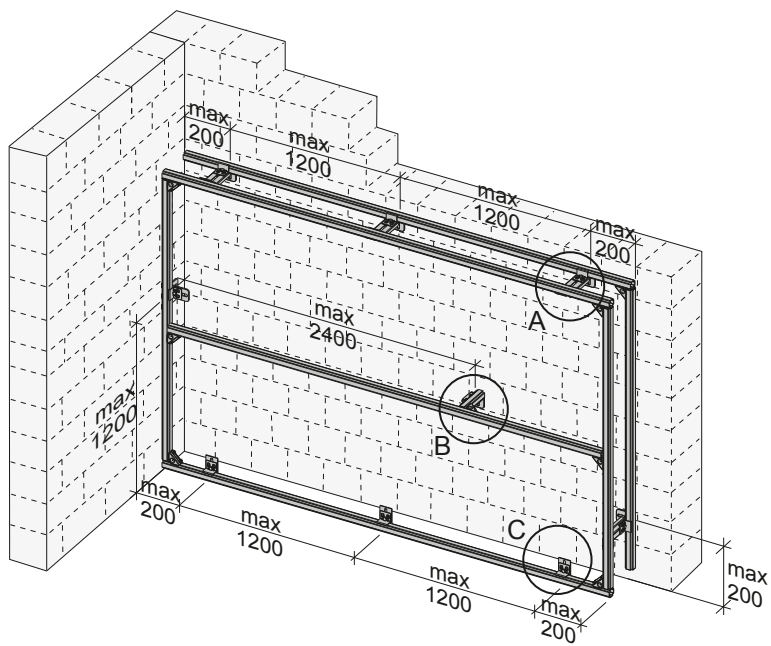


PR230 118 00 b

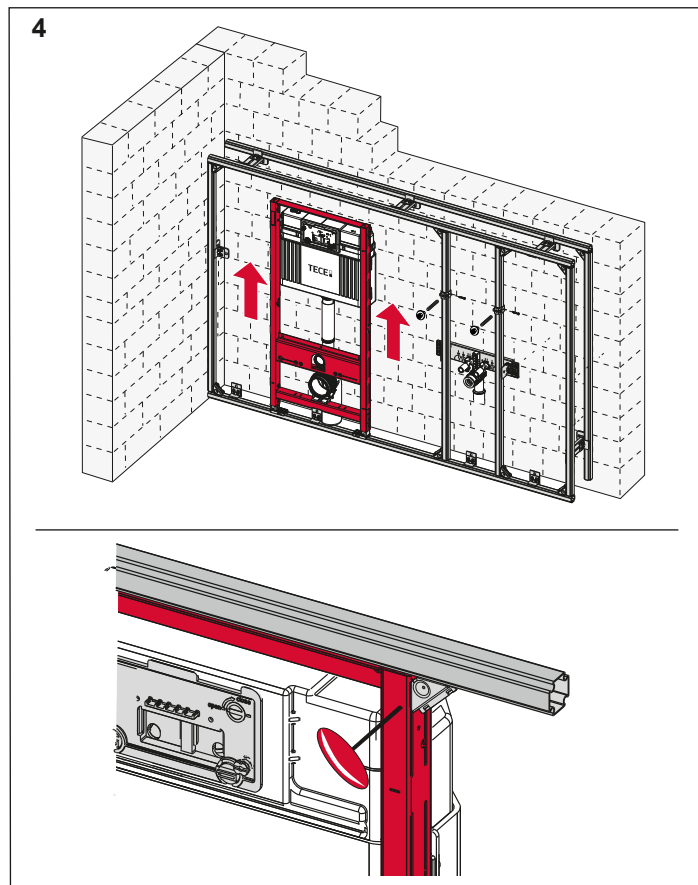
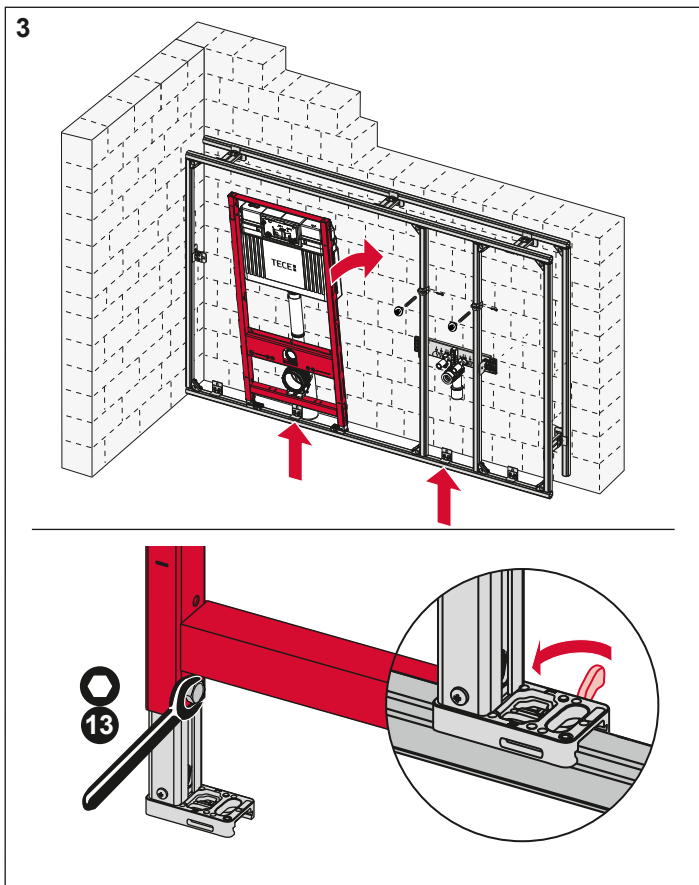
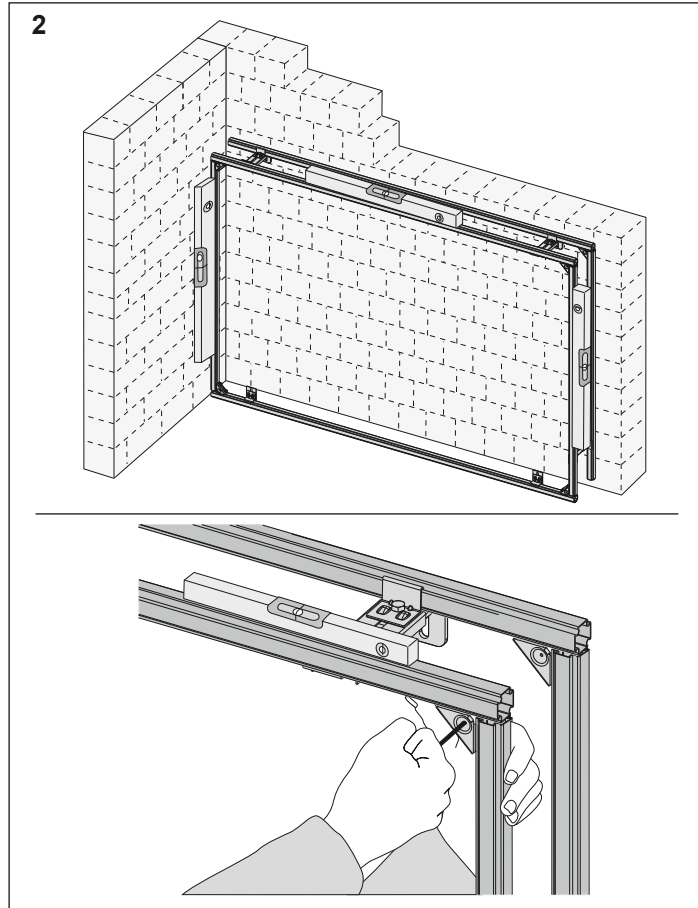
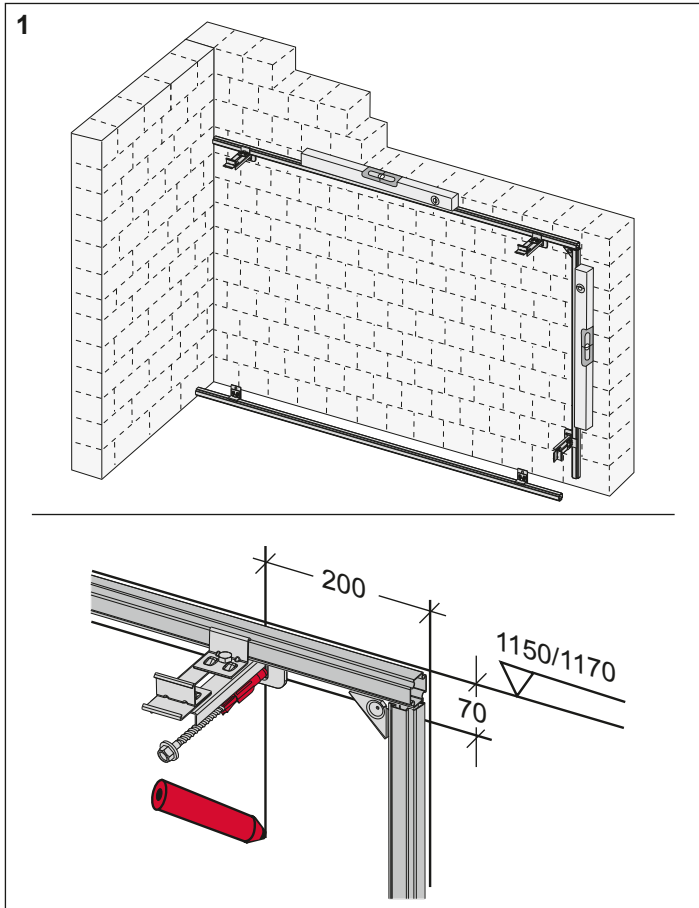
TECEprofil - Systemmontageanleitung / system assembling instructions

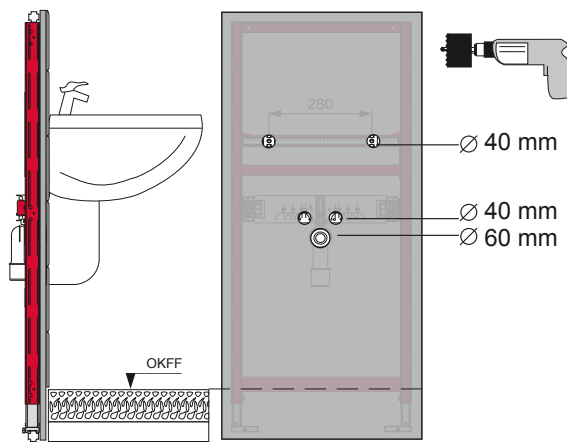
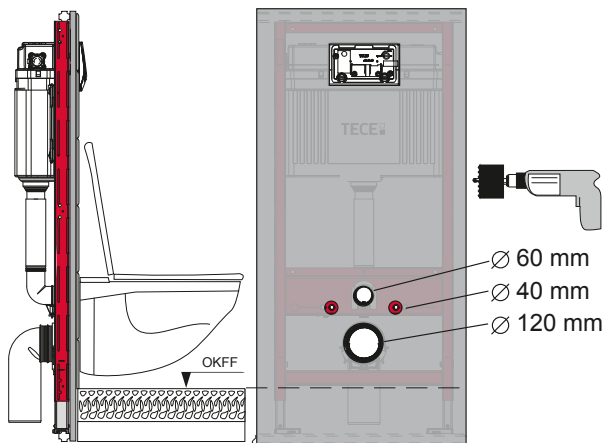
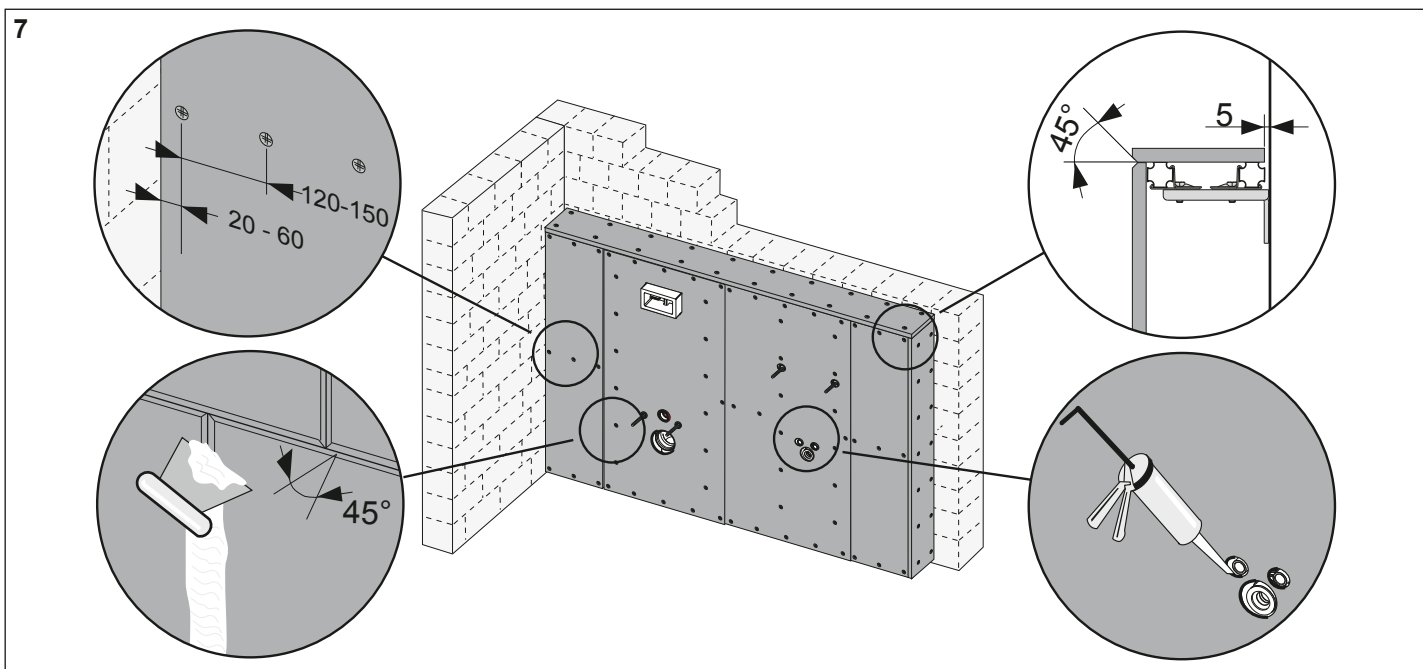
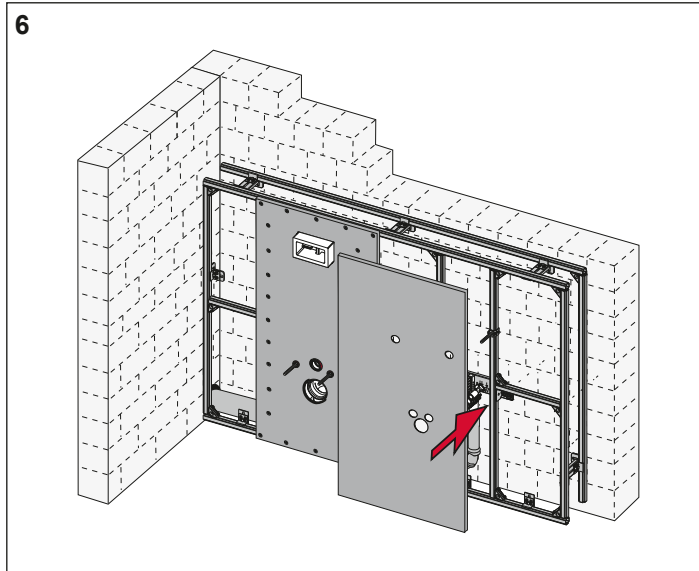
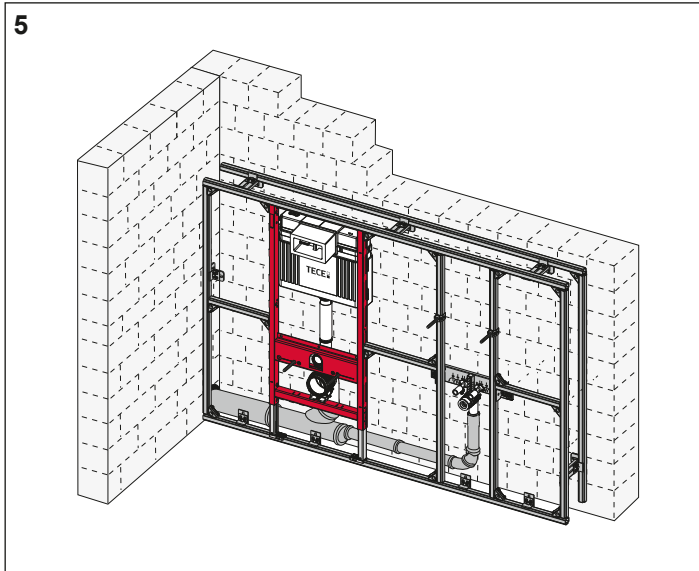


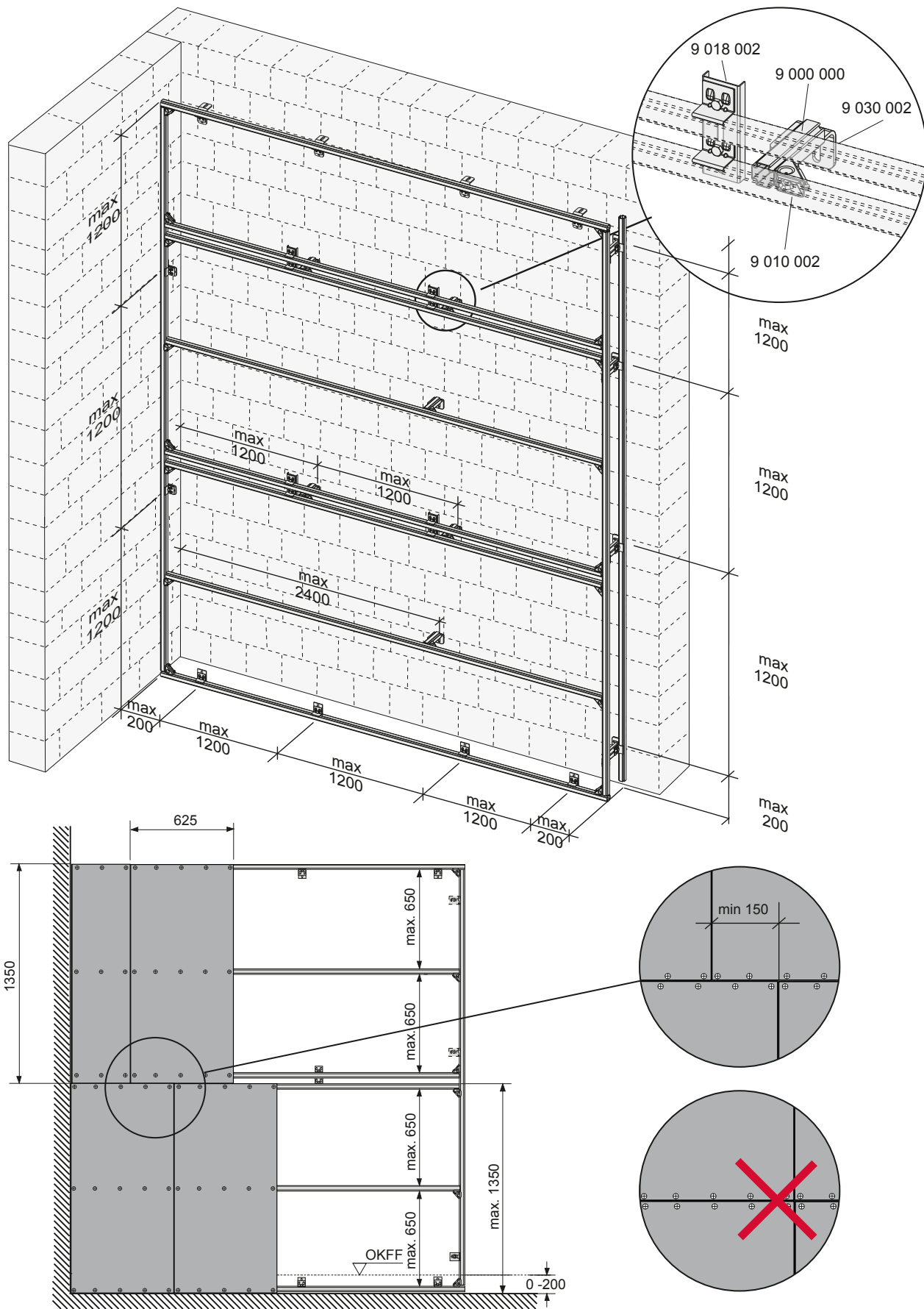
TECEprofil - Systemmontageanleitung / system assembling instructions

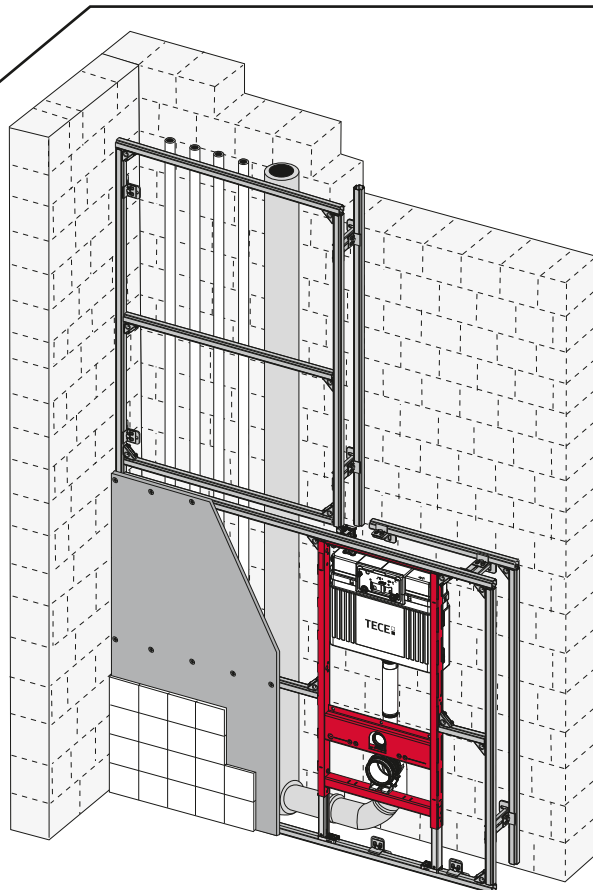
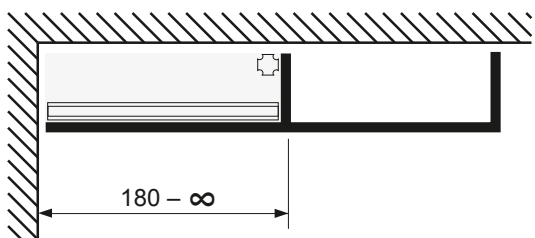
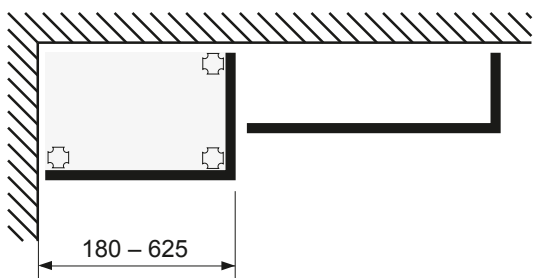
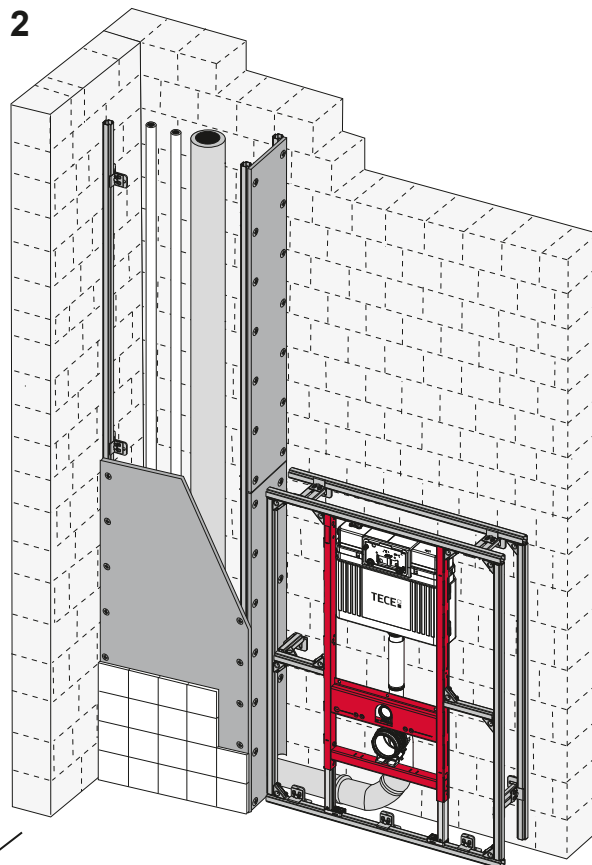
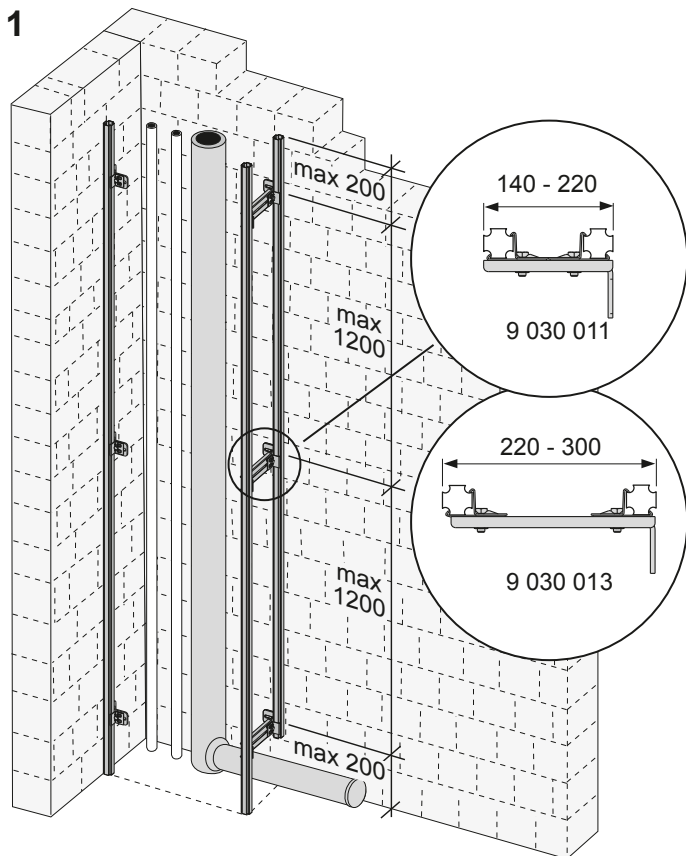


TECEprofil - Systemmontageanleitung/system assembling instructions

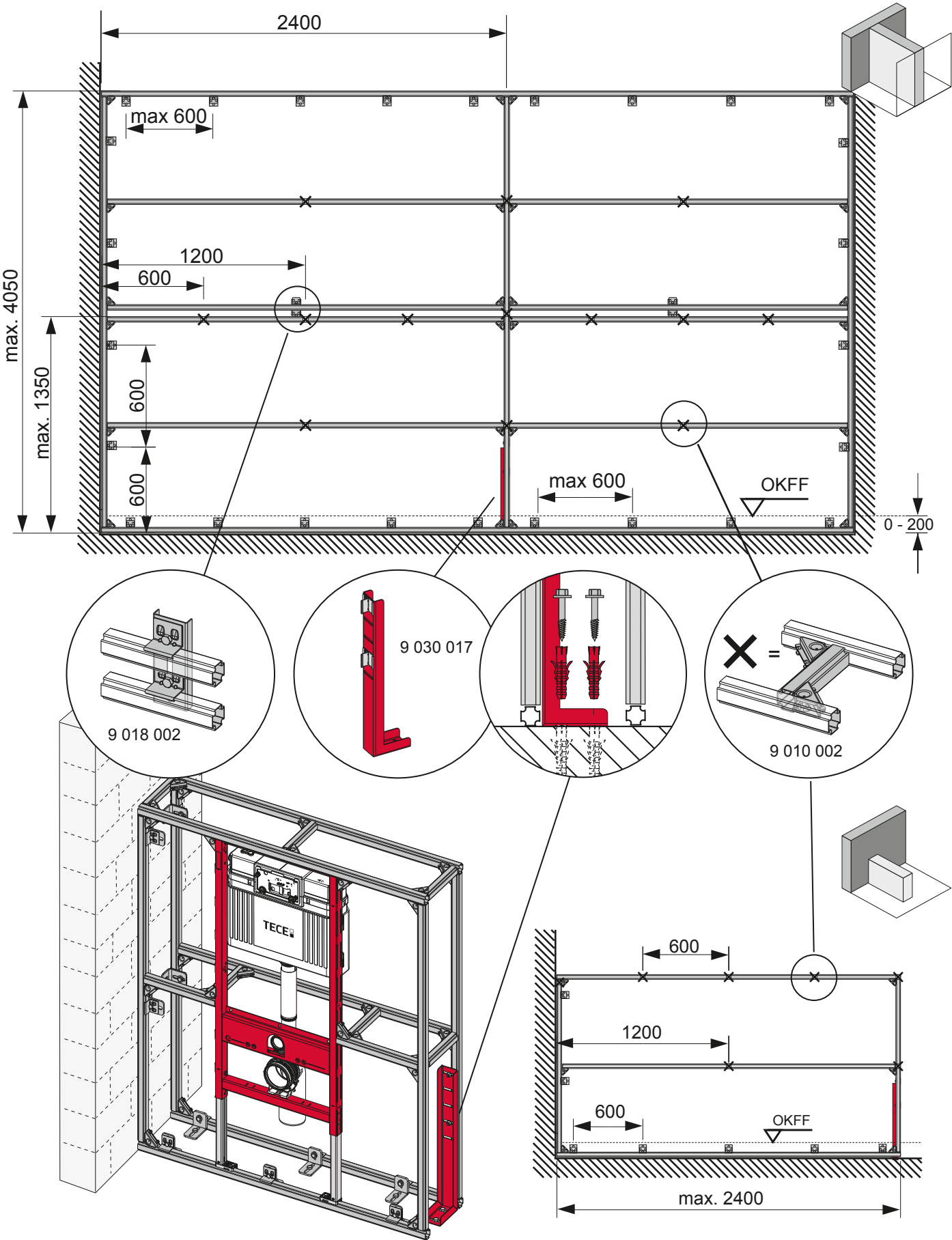




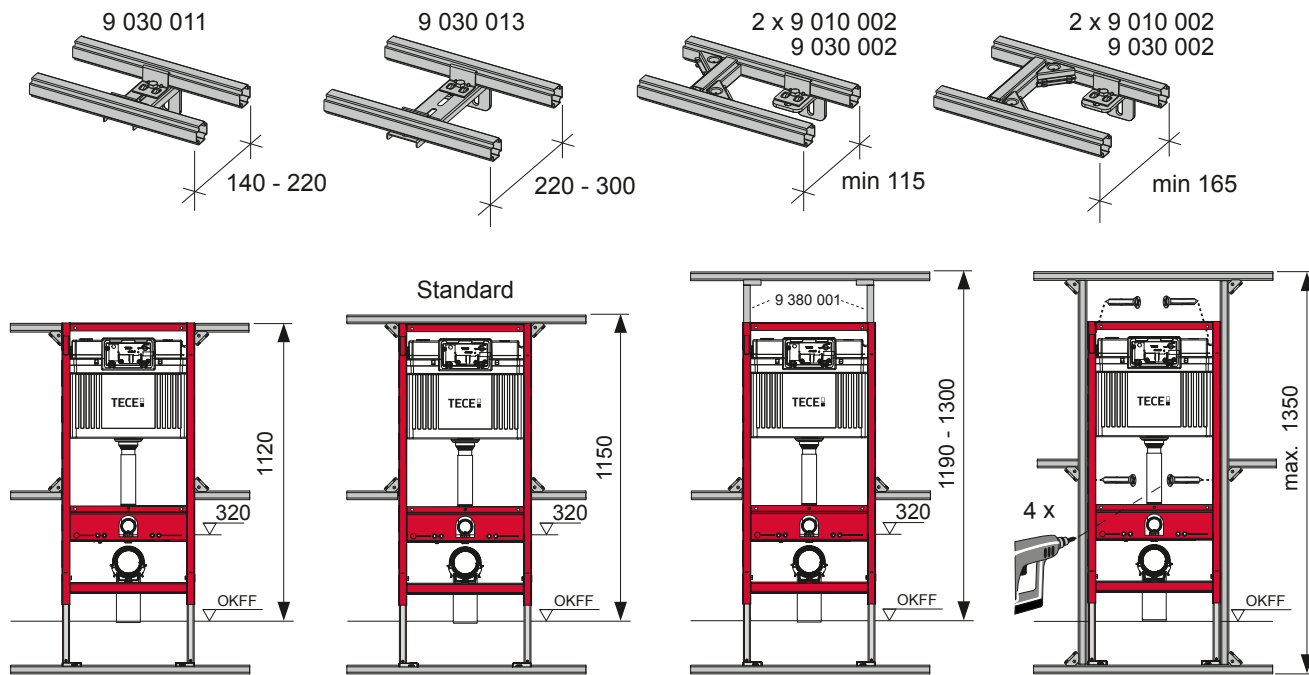


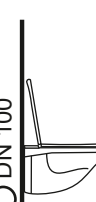






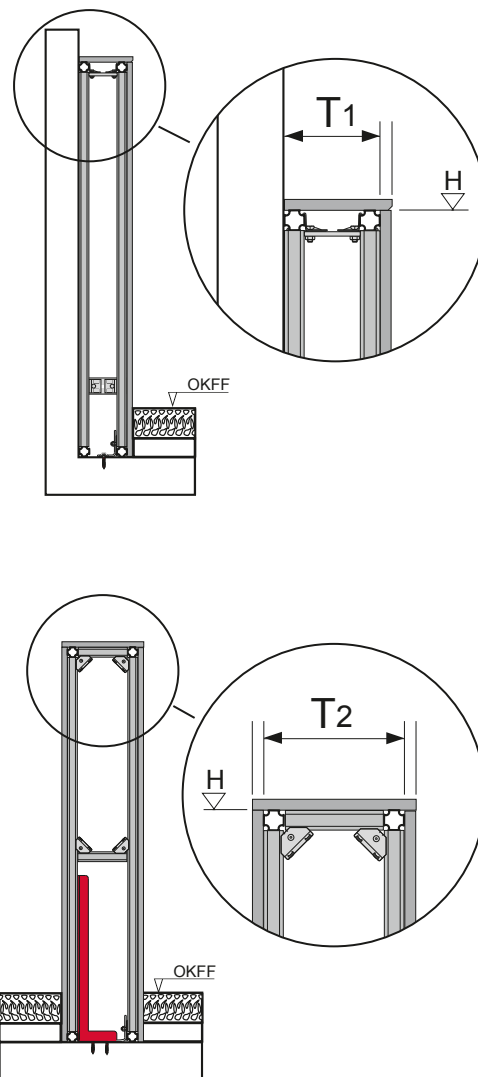
TECEprofil - Systemmontageanleitung/system assembling instructions



TECEprofil - Systemmontageanleitung/system assembling instructions



	Art. Nr.	H Standard	T1 min	T2 min
 DN 100	9 300 000	1150 (1120 - 1350)	160	210
	9 300 003			
	9 300 009			
	9 300 011			
	9 300 033			
9 300 044				
 DN 50	9 300 022	980 - 1080	160	210
	9 300 001	820 - 920	160	210
	9 041 006	970 - 1350	160	210
	9 310 000	1150	140	210
 DN 50	9 310 004	(1120 - 1350)	(115)	210
	9 020 033	820 - 1350	140	210
	9 020 018		(115)	
	9 020 034			
9 320 002	1150		140	
 DN 50	9 320 000	(1120 - 1350)	(115)	170
	9 320 001			
	9 020 017			
	9 330 000	1150	140	
 DN 50	9 330 000	(1120 - 1350)	(115)	210



PR 230 079 00 d